

Price List &  
Specifications Guide  
March 2022



**DATESWEISER**

[datesweiser.com](https://www.datesweiser.com)

Rev 2022.0

[datesweiser.com](http://datesweiser.com)

Corporate Office / Factory  
1700 Broadway Street  
Buffalo, NY 14212  
p 716.891.1700

National Sales Office / Showroom  
1300 6th Ave, 2nd Floor  
New York, NY 10019  
p 212.727.8855

# Table of Contents

<b>Introduction</b>	<b>5</b>	<b>Meeting Tables</b>	
Using the Price List	5	Square and Round, 48"–72"	240
Materials + Finishes	6	Credenzas	
Product Maintenance	13	Credenzas, 66"–114"	250
<b>Highline Collection</b>	<b>15</b>	<b>Highline Twenty-Five Collection</b>	<b>261</b>
Conference Tables		Credenzas, 60"–108" width	262
Rectangular, 42"–48"	16	Accessories	272
Rectangular, 54"	36	Slide-Out Power Box	273
Rectangular, 60"	52	Linkable USB Kits for Power Boxes	274
Rectangular, 72"	68	<b>Technical Information</b>	<b>276</b>
Elliptical, 48"–72"	84	Highline Conference Tables	277
Boat, 48"–72"	100	Highline Meeting Tables	285
Trapezoid, 48"–72"	116	Highline Credenzas	293
<b>Meeting Tables</b>		Highline Fifty Conference Tables	298
Square, Round and Elliptical, 42"–84"	132	Highline Fifty Meeting Tables	308
Credenzas		Highline Fifty Credenzas	316
Credenzas, 64"–99"	144	Highline Twenty-Five Credenzas	322
<b>Highline Fifty Collection</b>	<b>159</b>	Accessories	328
Conference Tables		<b>Terms and Conditions</b>	<b>330</b>
Rectangular, 48"	160		
Rectangular, 54"	178		
Rectangular, 60"	194		
Rectangular, 72"	210		
Boat, 48"–72"	226		





# Introduction

The DatesWeiser Price List and Specifications Guide introduces our offerings and provides you with the ability to specify and price them.

Four collections are showcased:

- Highline Conference Tables, Meeting Tables, and Credenzas
- Highline Fifty Conference Tables, Meeting Tables, and Credenzas
- Highline Twenty-Five Credenzas

Materials and finishes available for the collections are described on the next page.

Technical Information about our furniture begins on [page 274](#). You will find detailed descriptions about construction, elevations, power and connectivity, credenza configurations and options.

FSC® Certification: FSC-C103565

Responsibly harvested materials certified by the Forest Stewardship Council® are available upon request and may increase pricing. Requests for FSC® certified materials or LEED certification must be made before an order is processed.

## USING THE PRICE LIST

Product information is presented as follows:

- General description of the product.
- Dimensions of the product and additional details.
- Pattern number: Code that denotes the product line (02 Highline Collection/ 03 Highline Fifty Collection/ 04 Highline Twenty-Five Collection).
- Starting Price: The lowest base price, which represents the most cost-effective finishes and configuration.
- Steps: Options, finishes and other features that allow you to build the pieces as you desire.
- Some options carry an additional cost. The cost of the option needs to be added to the Starting Price shown at the top of the page. For microphones and grommets please specify quantity desired.

Start with the pattern number and starting price. Then select materials and options using the codes provided. Add additional costs from selections (if applicable). Confirm quantities and email to [customerservice@datesweiser.com](mailto:customerservice@datesweiser.com).

Shipping charges will be added to your order. For a shipping quote contact your sales representative, email [customerservice@datesweiser.com](mailto:customerservice@datesweiser.com) or call us toll free at 716.891.1700.

If you don't see what you want, we are happy to work with you to develop a unique product solution. Contact [customerservice@datesweiser.com](mailto:customerservice@datesweiser.com) or call 716.891.1700 for a custom quote.

## MATERIALS + FINISHES

Selecting materials and other features are the first steps to ordering your DatesWeiser furniture. As you move through the steps on the product page, you will need to fill in the blanks with the codes for the finishes and features you select.

Wood veneers are selected from the finest hardwoods available around the world and top coated with a low-VOC, post-catalyzed finish. The typical sheen is 30%.

Veneers come in three price ranges or Tiers. Veneers are described as follows:

- Cut: Plain-sliced, rift, quartered, engineered.
- Species: Oak, Walnut, etc.
- Finish: Natural, Smoked, Dark, Cerused, etc.

Quartered, rift-cut and engineered veneers are slip matched with the exception of Black Limba. Plain-sliced veneers are book matched.

For example, the finish code T124 denotes Tier 1 Plain-sliced Maple, Natural, and T227 denotes Tier 2 Quartered Walnut, Natural.

Requests for FSC® certified materials must be made before an order can be processed.

Glass 3/8" thick annealed low iron. DatesWeiser offers 14 standard back paint colors.

- GC\_\_ Back Painted Clear Glass: Polished glass with back paint. Color codes are entered in the blanks. For example GC01 refers to clear glass back painted white and GC02 refers to clear glass back painted Grey.
- GE\_\_ Back Painted Etched Matte Glass: Glass that is acid etched to a matte finish.
- GC00 Clear tempered glass with no back paint. Available on credenzas only.

### Solid Surface Materials

- CS01 Corian Glacier White ½" thickness.
- QS\_\_ Caesarstone 2cm thickness.

Certain Caesarstone-topped tables of 60" width and above may require an additional top section.

### Paint

- SL\_\_ Satin Lacquer: Opaque paint with a 50% typical sheen. Color codes are entered in the blanks.
- HG\_\_ High Gloss Polyester: Opaque paint with a hand rubbed high gloss finish.

### Metal

- MC\_\_ Powder Coat: A coating that is applied electrostatically as a dry powder and is then cured under heat to allow it to flow and form a "skin." It is used to create a hard finish that is more durable than conventional paint. Color codes are entered in the blanks.
- PM\_\_ Premium Metal: Electroplating produces a premium metal finish. Finishes are entered in the blanks.

### Leather

- AU\_\_ Spinneybeck Acqua leather is water-repellent, heavy, and durable, with a slightly raised grain texture.

DatesWeiser collaborates with leading colorists to develop a palette particularly suited to the executive workplace. This range is available on all our products and coordinates with our extensive veneer offering. To order actual finish samples, please contact [customerservice@datesweiser.com](mailto:customerservice@datesweiser.com) or your local DatesWeiser representative visit [www.datesweiser.com/contacts](http://www.datesweiser.com/contacts). If you don't see what you want, we are happy to work with you to develop a unique product solution.

DatesWeiser printed and veneer samples offer an example of what a typical veneer will look like, within a range of acceptability carefully determined by DatesWeiser. Samples and printed sample materials should be used as reference only.

## STANDARD FINISHES

### Veneer: Tier 1

T102 Rift European White Oak, slip match, Natural

T105 Plain-sliced Walnut, book match, Natural

T124 Plain-sliced Maple, book match, Natural

T131 Engineered Macassar Ebony, slip match, Natural

T142 Rift American White Oak, slip match, Natural

### Veneer: Tier 2

T204 Rift European White Oak, slip match, Dark Ceruse

T206 Plain-sliced Walnut, book match, Smoked

T207 Plain-sliced Walnut, book match, Dark

T227 Quartered Walnut, slip match, Natural

T228 Quartered Black Limba, book match, Natural

T229 Quartered Wenge, slip match, Natural

### Veneer: Tier 3

**\*Available as non-standard finishes**

T300 Plain-sliced White Oak, book match, White Wash

T301 Rift European White Oak, slip match, Weathered Grey

T339 Plain-sliced White Oak, book match, Grey Ceruse

T340 Rift American White Oak, slip match, Sand Ceruse

T341 Rift American White Oak, slip match, Greige Ceruse

### Back Painted Glass:

Clear / Etched Matte

GC01 / GE01 White

GC02 / GE02 Grey

GC03 / GE03 Black

GC04 / GE04 Coco

GC20 / GE20 Red

GC21 / GE21 Taupe

GC22 / GE22 Quartz Grey

GC23 / GE23 Light Grey

GC24 / GE24 Light Beige

\* GC00 Clear Glass available on credenzas only

### Solid Surface

CS01 Corian, Glacier White

QS01 Caesarstone, Fresh Concrete

QS04 Caesarstone, Raw Concrete

QS03 Caesarstone, Sleek Concrete

### Paint: High Gloss Polyester / Satin Lacquer

HG01 / SL01 White

HG02 / SL02 Light Beige

HG03 / SL03 Sand

HG04 / SL04 Taupe

HG05 / SL05 Light Brown

HG06 / SL06 Light Grey

HG07 / SL07 Quartz Grey

HG08 / SL08 Umbra Grey

HG09 / SL09 Black Brown

HG10 / SL10 Yellow Finch

HG11 / SL11 Jack O Lantern

HG12 / SL12 Racing Orange

HG13 / SL13 Jet Black

HG20 / SL 20 Red

### Metal

#### Powder Coat

MC01 White

MC02 Light Grey

MC03 Quartz Grey

MC04 Umbra Grey

MC05 Black Brown

MC11 Jet Black

MC20 Red

#### Powder Coat

MC06 Silver

MC08 Gun Metal

MC09 Bronze

MC12 Black

MC13 Warm Grey

MC14 Soft White

#### Premium

PM01 Polished Chrome

PM02 Satin Nickel

PM03 Oil Rubbed Bronze

### Leather

#### Spinneybeck: Acqua

AU 0625 Strait Dover

AU 0635 Long Island Sound

AU 0614 River Thames

AU 0659 Blue Marlin

AU 0631 Cantabrian Sea

AU 0623 Jewelfish

AU 0647 Straits of Gibraltar

AU 0608 Botany Bay

AU 0607 Lake Como

AU 0604 Del Mar

AU 0605 Tahiti

AU 0639 Aquitania

AU 0642 Longship

AU 0617 Black Sea

AU 0646 Sea Wolf

## Veneer: Tier 1

---



T124 Plain-sliced Maple, Natural



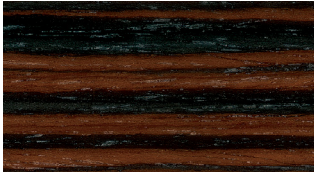
T102 Rift European White Oak, Natural



T142 Rift American White Oak, Natural



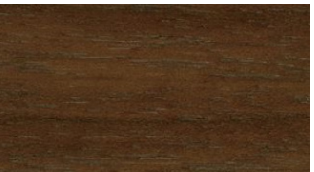
T105 Plain-sliced Walnut, Natural



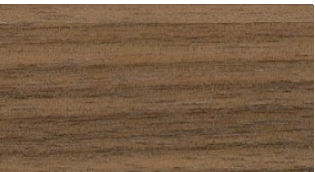
T131 Reconstituted Macassar Ebony, Natural

## Veneer: Tier 2

---



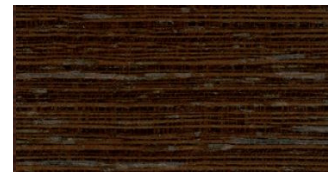
T206 Plain-sliced Walnut, Smoked



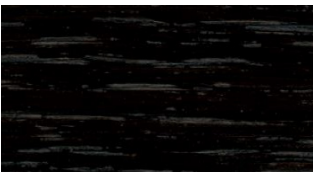
T227 Quartered Walnut, Natural



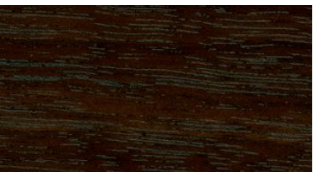
T228 Quartered Black Limba, Natural



T229 Quartered Wenge, Natural



T204 Rift European White Oak, Dark Ceruse



T207 Plain-sliced Walnut, Dark



## Veneer:

Tier 3 Available as non-standard finishes



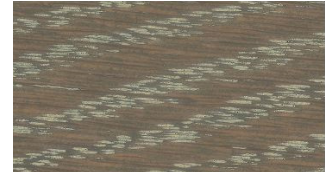
T300 Plain-sliced White Oak, White Wash



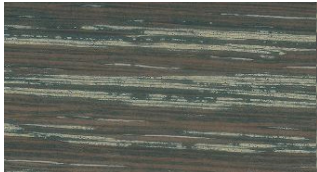
T301 Rift European White Oak, Weathered Grey



T339 Plain-sliced White Oak, Grey Ceruse

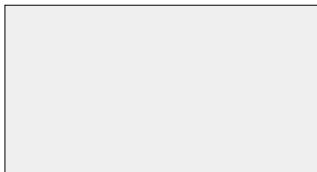


T340 Rift American White Oak, Sand Ceruse

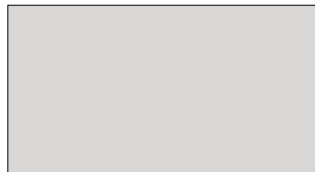


T341 Rift American White Oak, Greige Ceruse

## Back Painted Glass: Clear + Etched Matte



GC01 / GE01 White



GC24 / GE24 Light Beige



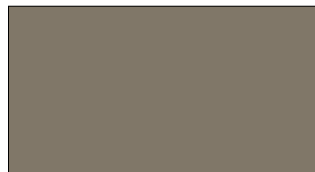
GC21 / GE21 Taupe



GC23 / GE23 Light Grey



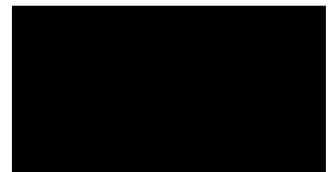
GC02 / GE02 Grey



GC22 / GE22 Quartz Grey



GC04 / GE04 Coco



GC03 / GE03 Black



GC20 / GE20 Red



GC00 Clear Glass, no back-paint  
Available on credenzas only

## Solid Surface

---



CS01 Corian, Glacier White



QS01 Caesarstone, Fresh Concrete



QS04 Caesarstone, Raw Concrete



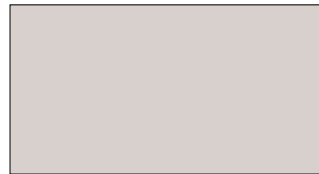
QS03 Caesarstone, Sleek Concrete

## Paint: High Gloss Polyester + Satin Lacquer

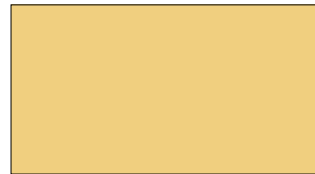
---



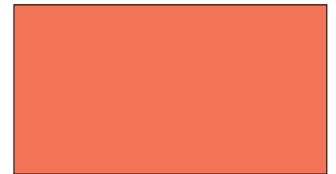
HG01 / SL01 White



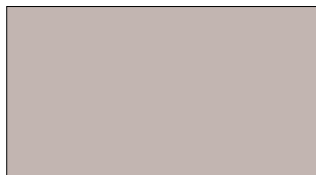
HG02 / SL02 Light Beige



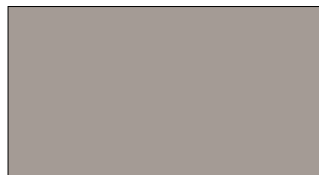
HG10 / SL10 Yellow Finch



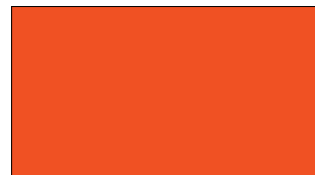
HG11 / SL11 Jack O Lantern



HG03 / SL03 Sand



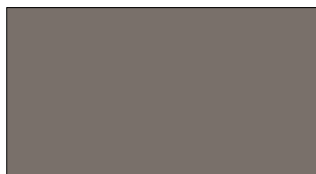
HG04 / SL04 Taupe



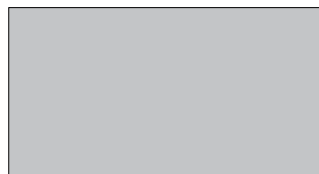
HG12 / SL12 Racing Orange



HG20 / SL20 Red



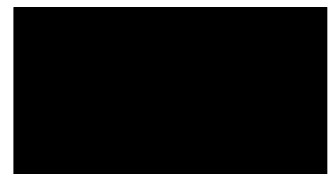
HG05 / SL05 Light Brown



HG06 / SL06 Light Grey



HG09 / SL09 Black Brown



HG13 / SL13 Jet Black



HG07 / SL07 Quartz Grey



HG08 / SL08 Umbra Grey

## Metal: Powder Coat

---



MC01 White



MC02 Light Grey



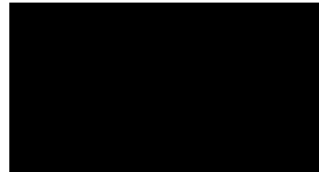
MC03 Quartz Grey



MC04 Umbra Grey



MC05 Black Brown



MC11 Jet Black



MC20 Red

## Metal: Powder Coat

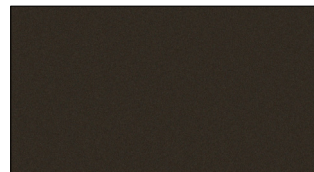
---



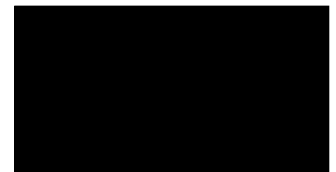
MC06 Silver



MC08 Gun Metal



MC09 Bronze



MC12 Black



MC13 Warm Grey



MC14 Soft White

## Metal: Premium

---



PM01 Polished Chrome



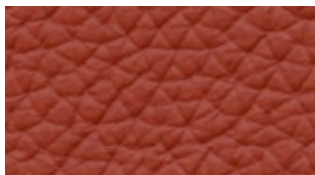
PM02 Satin Nickel



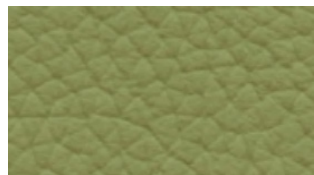
PM03 Oil Rubbed Bronze

## Leather: Spinneybeck-Acqua

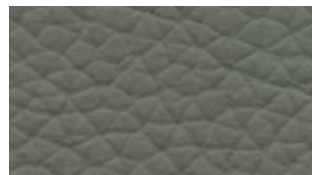
---



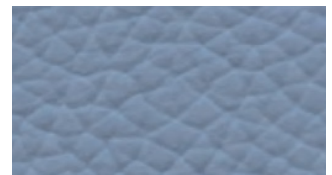
AU 0625 Strait Dover



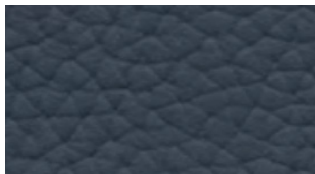
AU 0635 Long Island Sound



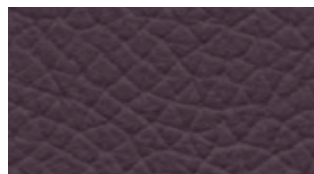
AU 0614 River Thames



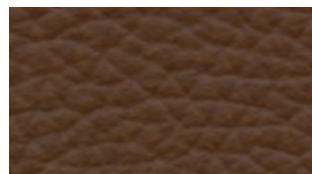
AU 0659 Blue Marlin



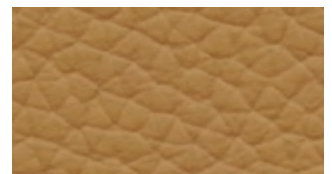
AU 0631 Cantabrian Sea



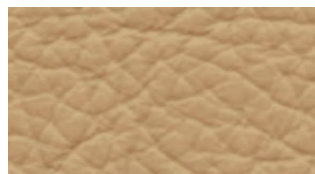
AU 0623 Jewelfish



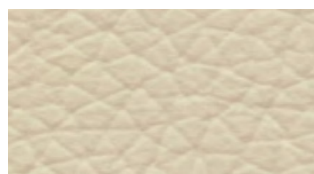
AU 0647 Straits of Gibraltar



AU 0608 Botany Bay



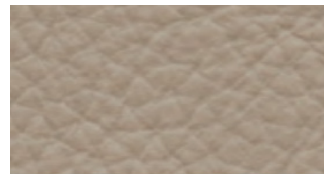
AU 0607 Lake Como



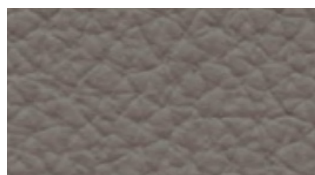
AU 0604 Del Mar



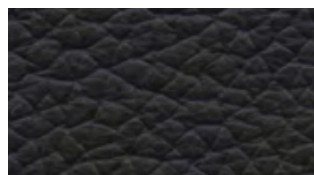
AU 0610 North Sea



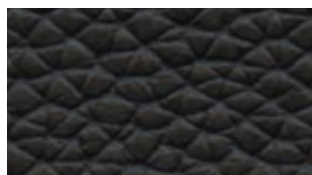
AU 0605 Tahiti



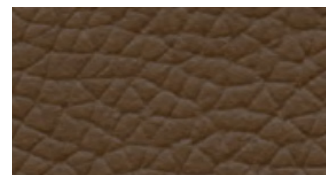
AU 0639 Aquitania



AU 0642 Longship



AU 0617 Black Sea



AU 0646 Sea Wolf



## PRODUCT MAINTENANCE

Regular dusting with a soft cloth will help prevent fine dust particles from becoming embedded in the finished surface. We recommend using a soft flannel cloth slightly dampened with water, followed by a dry cloth. Always wipe in the direction of the grain. Caution: Never use a chemically treated cleaning cloth.

For removing residues, smudges, etc., we recommend using a very mild (non-ammonia) soap and water solution. Apply with a soft flannel cloth, followed by a dry cloth. Always wipe in the direction of the grain.

Most stone and metal surfaces can be cleaned by following the same steps we recommend for our wood products. Granite and marble are both very porous and stain very easily. Lemon juice and other acids can etch the surface of the stone. Many stains are extremely difficult or impossible to remove, so please be careful. If a problem arises, please contact DatesWeiser for recommendations.

Glass can be cleaned with a standard brand of glass cleaner that does not contain ammonia or vinegar. Always use a soft, clean, grit-free cloth to reduce the risk of scratching the surface. We recommend a micro-fiber cloth and not paper towels. Care and cleaning of clear and acid-etched glass is the same. On non-tempered glass avoid extremely hot materials and on all glass avoid caustic substances.

We recommend using felt pads on all objects that come in contact with our furniture. Certain vinyl and rubber products can chemically react with the finish on wood if left in contact for extended periods of time. Coasters, place mats, notebook covers, and rubber or plastic feet (found on most accessories) can also damage wood surfaces. To avoid indentations caused by writing instruments, always use a non-vinyl blotter or writing pad.

All furniture should be used in a stable, controlled atmosphere and positioned to avoid direct sunlight. The ideal climate is 65 to 75 degrees Fahrenheit with 30 to 55% relative humidity.



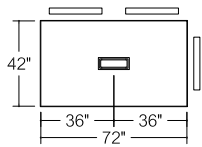
# Highline Collection



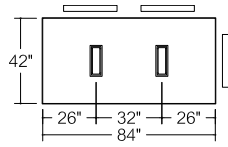
**DATESWEISER**

# Highline Rectangular Conference Tables Index

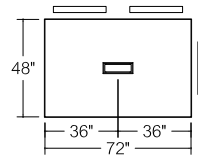
42"-48" width



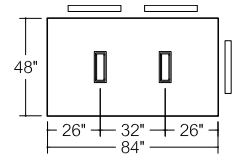
**02R42X72**  
6 Person Table



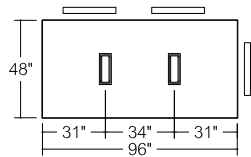
**02R42X84**  
6 Person Table



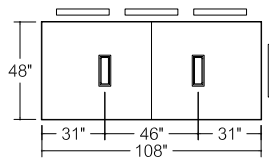
**02R48X72**  
6 Person Table



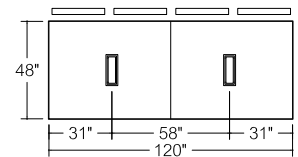
**02R48X84**  
6 Person Table



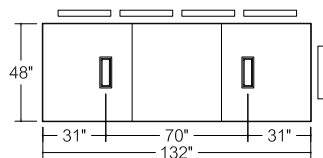
**02R48X96**  
6 - 8 Person Table



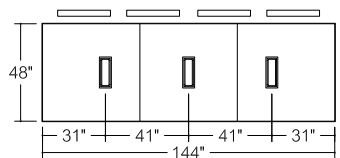
**02R48X108**  
8 Person Table



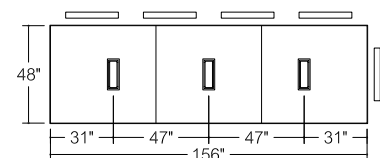
**02R48X120**  
10 Person Table



**02R48X132**  
10 Person Table

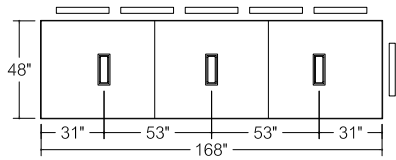


**02R48X144**  
10 Person Table

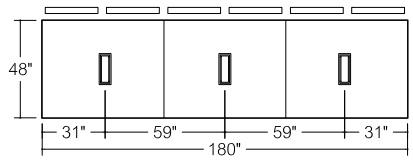


**02R48X156**  
10 - 12 Person Table

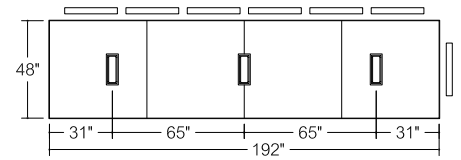




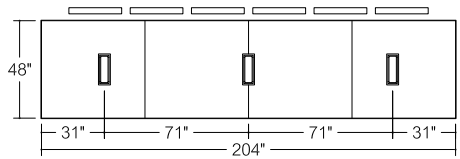
**02R48X168**  
12 Person Table



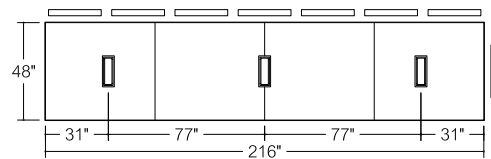
**02R48X180**  
14 Person Table



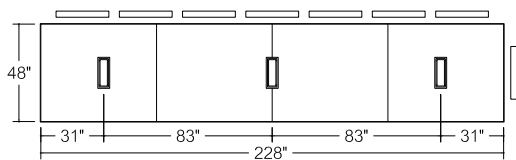
**02R48X192**  
14 Person Table



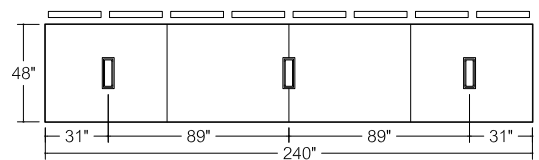
**02R48X204**  
14 Person Table



**02R48X216**  
16 Person Table



**02R48X228**  
16 Person Table

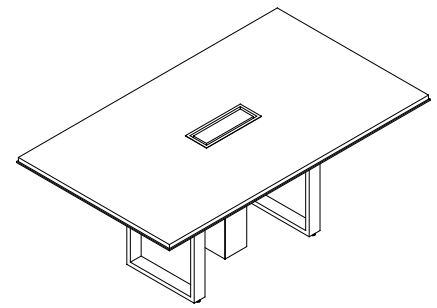


**02R48X240**  
18 Person Table

# Highline Rectangular Conference Table

42"x72" / 6 Person

02R42X72



Starting Price: **\$9,879**

42x72 table, veneer Tier 1 top with metal edge, open base, powder coat metal finish

Base Pattern Number: 02R42X72

## Step 1. Top Material

V	Veneer
G	Glass
C	Corian
Q	Caesarstone

## Step 2. Edge Selection

N__	No Edge
L__	Leather Edge
M__	Metal Edge

## Step 3. Base Type

BL	Base Loop	+0
----	-----------	----

## Step 4. Edge Finish

AU__	Spinneybeck Leather: Acqua	+1,802
MC__	Powder Coat	+0
PM01	Polished Chrome	+752
PM02	Satin Nickel	+752
PM03	Oil Rubbed Bronze	+752

## Step 5. Top Finish

T1__	Veneer Tier 1	+0
T2__	Veneer Tier 2	+533
GC__	Clear Glass, back painted	+2,293
GE__	Etched matte Glass, back painted	+2,756
CS01	Corian Glacier White	+3,357
QS__	Caesarstone	+9,210

## Step 6. Base Finish

MC__	Powder Coat	+0
PM01	Polished Chrome	+355
PM02	Satin Nickel	+355
PM03	Oil Rubbed Bronze	+695

## Step 7. Microphone and/or Grommet Accommodations: Optional

MA__	Microphone hole (factory cut)	Qty__ x 354 each
GM__	2" Grommet Hole (factory cut), liner, lid, in matching metal finish	Qty__ x 466 each

## Step 8. Power & Connectivity Access: Optional

TMHW	Tabletop, Metal lid, Hardwired, Qty 1	+4,130
TMPI	Tabletop, Metal lid, Plug In, Qty 1	+3,519
TMLK	Tabletop, Metal lid, Linkable, Qty 1	+3,002
UMHW	Undermount, Hardwired, Qty 4	+4,496
UMPI	Undermount, Plug In, Qty 4	+3,268
UMLK	Undermount, Linkable, Qty 4	+3,262
SOHW	Undermount Slide-out, Hardwired, Qty 4	+7,832
SOPI	Undermount Slide-out, Plug In, Qty 4	+6,644
SOLK	Undermount Slide-out, Linkable, Qty 4	+6,644

## Wire Management Column (sold separately)

Required with any technology selection

Pattern Number: 02WMC6X6	+250
Pattern Number: 02WMC10X10	+975

## Step 1. Metal Finish for Wire Management Column

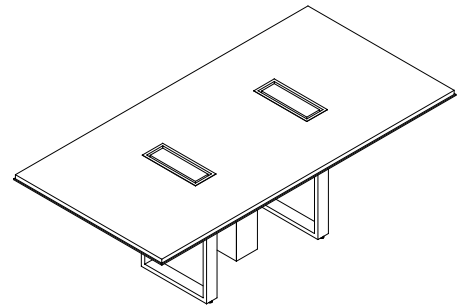
MC__	Powder Coat	+0	+0
PM01	Polished Chrome	+1,175	+536
PM02	Satin Nickel	+1,175	+536
PM03	Oil Rubbed Bronze	+1,759	+2,448

Please consult [page 7](#) for the palette of DatesWeiser finishes. Natural stone, non-standard glass and veneer, and other technology options are available. Please email [customerservice@datesweiser.com](mailto:customerservice@datesweiser.com) for a custom quote. Consult technical information on [page 274](#) for construction details and technical information.

# Highline Rectangular Conference Table

42"x84" / 6 Person

02R42X84



Starting Price: **\$10,581**

42x84 table, veneer Tier 1 top with metal edge, open base, powder coat metal finish

Base Pattern Number: 02R42X84

## Step 1. Top Material

V	Veneer
G	Glass
C	Corian
Q	Caesarstone

## Step 2. Edge Selection

N__	No Edge
L__	Leather Edge
M__	Metal Edge

## Step 3. Base Type

BL	Base Loop	+0
----	-----------	----

## Step 4. Edge Finish

AU__	Spinneybeck Leather: Acqua	+1,991
MC__	Powder Coat	+0
PM01	Polished Chrome	+891
PM02	Satin Nickel	+891
PM03	Oil Rubbed Bronze	+891

## Step 5. Top Finish

T1__	Veneer Tier 1	+0
T2__	Veneer Tier 2	+620
GC__	Clear Glass, back painted	+2,673
GE__	Etched matte Glass, back painted	+3,215
CS01	Corian Glacier White	+3,917
QS__	Caesarstone	+10,129

## Step 6. Base Finish

MC__	Powder Coat	+0
PM01	Polished Chrome	+355
PM02	Satin Nickel	+355
PM03	Oil Rubbed Bronze	+695

## Step 7. Microphone and/or Grommet Accommodations: Optional

MA__	Microphone hole (factory cut)	Qty __ x 354 each
GM__	2" Grommet Hole (factory cut), liner, lid, in matching metal finish	Qty __ x 466 each

## Step 8. Power & Connectivity Access: Optional

TMHW	Tabletop, Metal lid, Hardwired, Qty 2	+8,260
TMPI	Tabletop, Metal lid, Plug In, Qty 2	+7,038
TMLK	Tabletop, Metal lid, Linkable, Qty 2	+6,004
UMHW	Undermount, Hardwired, Qty 4	+4,496
UMPI	Undermount, Plug In, Qty 4	+3,268
UMLK	Undermount, Linkable, Qty 4	+3,268
SOHW	Undermount Slide-out, Hardwired, Qty 4	+7,832
SOPI	Undermount Slide-out, Plug In, Qty 4	+6,644
SOLK	Undermount Slide-out, Linkable, Qty 4	+6,644

## Wire Management Column (sold separately)

Required with any technology selection

Pattern Number: 02WMC6X6	+250
Pattern Number: 02WMC10X10	+975

## Step 1. Metal Finish for Wire Management Column

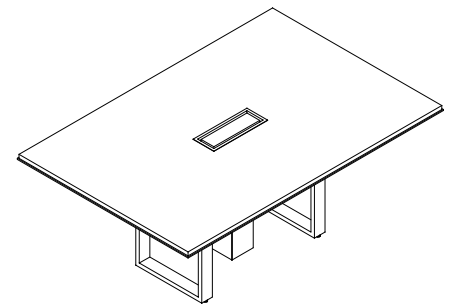
	6x6	10x10
MC__	Powder Coat	+0 +0
PM01	Polished Chrome	+1,175 +536
PM02	Satin Nickel	+1,175 +536
PM03	Oil Rubbed Bronze	+1,759 +2,448

Please consult [page 7](#) for the palette of DatesWeiser finishes. Natural stone, non-standard glass and veneer, and other technology options are available. Please email [customerservice@datesweiser.com](mailto:customerservice@datesweiser.com) for a custom quote. Consult technical information on [page 274](#) for construction details and technical information.

# Highline Rectangular Conference Table

48"x72" / 6 Person

02R48X72



Starting Price: **\$10,246**

48x72 table, veneer Tier 1 top with metal edge, open base, powder coat metal finish

Base Pattern Number: 02R48X72

## Step 1. Top Material

V	Veneer
G	Glass
C	Corian
Q	Caesarstone

## Step 2. Edge Selection

N__	No Edge
L__	Leather Edge
M__	Metal Edge

## Step 3. Base Type

BL	Base Loop	+0
----	-----------	----

## Step 4. Edge Finish

AU__	Spinneybeck Leather: Acqua	+1,896
MC__	Powder Coat	+0
PM01	Polished Chrome	+777
PM02	Satin Nickel	+777
PM03	Oil Rubbed Bronze	+777

## Step 5. Top Finish

T1__	Veneer Tier 1	+0
T2__	Veneer Tier 2	+608
GC__	Clear Glass, back painted	+2,619
GE__	Etched matte Glass, back painted	+3,148
CS01	Corian Glacier White	+3,837
QS__	Caesarstone	+9,922

## Step 6. Base Finish

MC__	Powder Coat	+0
PM01	Polished Chrome	+355
PM02	Satin Nickel	+355
PM03	Oil Rubbed Bronze	+695

## Step 7. Microphone and/or Grommet Accommodations: Optional

MA__	Microphone hole (factory cut)	Qty__ x 354 each
GM__	2" Grommet Hole (factory cut), liner, lid, in matching metal finish	Qty__ x 466 each

## Step 8. Power & Connectivity Access: Optional

TMHW	Tabletop, Metal lid, Hardwired, Qty 1	+4,130
TMPI	Tabletop, Metal lid, Plug In, Qty 1	+3,519
TMLK	Tabletop, Metal lid, Linkable, Qty 1	+3,002
UMHW	Undermount, Hardwired, Qty 4	+4,496
UMPI	Undermount, Plug In, Qty 4	+3,268
UMLK	Undermount, Linkable, Qty 4	+3,262
SOHW	Undermount Slide-out, Hardwired, Qty 4	+7,832
SOPI	Undermount Slide-out, Plug In, Qty 4	+6,644
SOLK	Undermount Slide-out, Linkable, Qty 4	+6,644

## Wire Management Column (sold separately)

Required with any technology selection

Pattern Number: 02WMC6X6	+250
Pattern Number: 02WMC10X10	+975

## Step 1. Metal Finish for Wire Management Column

	6x6	10x10
MC__	Powder Coat	+0 +0
PM01	Polished Chrome	+1,175 +536
PM02	Satin Nickel	+1,175 +536
PM03	Oil Rubbed Bronze	+1,759 +2,448

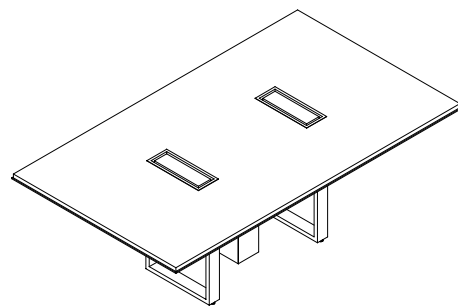
Please consult [page 7](#) for the palette of DatesWeiser finishes. Natural stone, non-standard glass and veneer, and other technology options are available. Please email [customerservice@datesweiser.com](mailto:customerservice@datesweiser.com) for a custom quote. Consult technical information on [page 274](#) for construction details and technical information.



# Highline Rectangular Conference Table

48"x84" / 6 Person

02R48X84



Starting Price: **\$11,021**

48x84 table, veneer Tier 1 top with metal edge, open base, powder coat metal finish

Base Pattern Number: 02R48X84

## Step 1. Top Material

V	Veneer
G	Glass
C	Corian
Q	Caesarstone

## Step 2. Edge Selection

N__	No Edge
L__	Leather Edge
M__	Metal Edge

## Step 3. Base Type

BL	Base Loop	+0
----	-----------	----

## Step 4. Edge Finish

AU__	Spinneybeck Leather: Acqua	+2,086
MC__	Powder Coat	+0
PM01	Polished Chrome	+1,212
PM02	Satin Nickel	+1,212
PM03	Oil Rubbed Bronze	+1,212

## Step 5. Top Finish

T1__	Veneer Tier 1	+0
T2__	Veneer Tier 2	+710
GC__	Clear Glass, back painted	+3,055
GE__	Etched matte Glass, back painted	+3,673
CS01	Corian Glacier White	+4,476
QS__	Caesarstone	+11,576

## Step 6. Base Finish

MC__	Powder Coat	+0
PM01	Polished Chrome	+355
PM02	Satin Nickel	+355
PM03	Oil Rubbed Bronze	+695

## Step 7. Microphone and/or Grommet Accommodations: Optional

MA__	Microphone hole (factory cut)	Qty __ x 354 each
GM__	2" Grommet Hole (factory cut), liner, lid, in matching metal finish	Qty __ x 466 each

## Step 8. Power & Connectivity Access: Optional

TMHW	Tabletop, Metal lid, Hardwired, Qty 2	+8,260
TMPI	Tabletop, Metal lid, Plug In, Qty 2	+7,038
TMLK	Tabletop, Metal lid, Linkable, Qty 2	+6,004
UMHW	Undermount, Hardwired, Qty 4	+4,496
UMPI	Undermount, Plug In, Qty 4	+3,268
UMLK	Undermount, Linkable, Qty 4	+3,268
SOHW	Undermount Slide-out, Hardwired, Qty 4	+7,832
SOPI	Undermount Slide-out, Plug In, Qty 4	+6,644
SOLK	Undermount Slide-out, Linkable, Qty 4	+6,644

## Wire Management Column (sold separately)

Required with any technology selection

Pattern Number: 02WMC6X6	+250
Pattern Number: 02WMC10X10	+975

## Step 1. Metal Finish for Wire Management Column

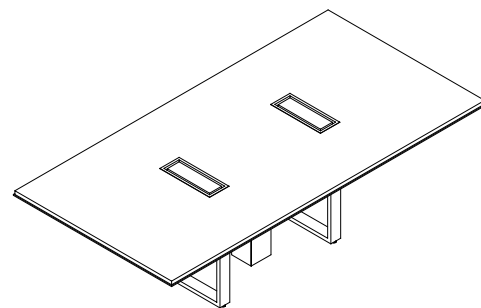
	6x6	10x10
MC__	Powder Coat	+0 +0
PM01	Polished Chrome	+1,175 +536
PM02	Satin Nickel	+1,175 +536
PM03	Oil Rubbed Bronze	+1,759 +2,448

Please consult [page 7](#) for the palette of DatesWeiser finishes. Natural stone, non-standard glass and veneer, and other technology options are available. Please email [customerservice@datesweiser.com](mailto:customerservice@datesweiser.com) for a custom quote. Consult technical information on [page 274](#) for construction details and technical information.

# Highline Rectangular Conference Table

48"x96" / 6 - 8 Person

02R48X96



Starting Price: **\$11,478**

48x96 table, veneer Tier 1 top with metal edge, open base, powder coat metal finish

Base Pattern Number: 02R48X96

## Step 1. Top Material

V	Veneer
G	Glass
C	Corian
Q	Caesarstone

## Step 2. Edge Selection

N__	No Edge
L__	Leather Edge
M__	Metal Edge

## Step 3. Base Type

BL	Base Loop	+0
----	-----------	----

## Step 4. Edge Finish

AU__	Spinneybeck Leather: Acqua	+2,275
MC__	Powder Coat	+0
PM01	Polished Chrome	+1,212
PM02	Satin Nickel	+1,212
PM03	Oil Rubbed Bronze	+1,212

## Step 5. Top Finish

T1__	Veneer Tier 1	+0
T2__	Veneer Tier 2	+810
GC__	Clear Glass, back painted	+3,492
GE__	Etched matte Glass, back painted	+4,199
CS01	Corian Glacier White	+5,115
QS__	Caesarstone	+13,230

## Step 6. Base Finish

MC__	Powder Coat	+0
PM01	Polished Chrome	+355
PM02	Satin Nickel	+355
PM03	Oil Rubbed Bronze	+695

## Step 7. Microphone and/or Grommet Accommodations: Optional

MA__	Microphone hole (factory cut)	Qty __ x 354 each
GM__	2" Grommet Hole (factory cut), liner, lid, in matching metal finish	Qty __ x 466 each

## Step 8. Power & Connectivity Access: Optional

TMHW	Tabletop, Metal lid, Hardwired, Qty 2	+8,260
TMPI	Tabletop, Metal lid, Plug In, Qty 2	+7,038
TMLK	Tabletop, Metal lid, Linkable, Qty 2	+6,004
UMHW	Undermount, Hardwired, Qty 4	+4,496
UMPI	Undermount, Plug In, Qty 4	+3,268
UMLK	Undermount, Linkable, Qty 4	+3,268
SOHW	Undermount Slide-out, Hardwired, Qty 4	+7,832
SOP1	Undermount Slide-out, Plug In, Qty 4	+6,644
SOLK	Undermount Slide-out, Linkable, Qty 4	+6,644

## Wire Management Column (sold separately)

Required with any technology selection

Pattern Number: 02WMC6X6	+250
Pattern Number: 02WMC10X10	+975

## Step 1. Metal Finish for Wire Management Column

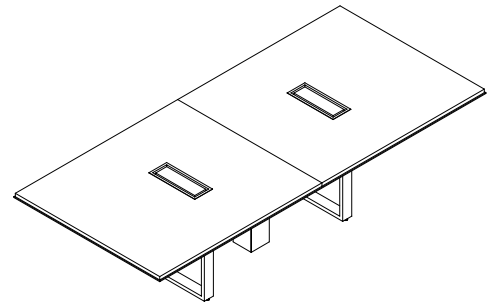
		6x6	10x10
MC__	Powder Coat	+0	+0
PM01	Polished Chrome	+1,175	+536
PM02	Satin Nickel	+1,175	+536
PM03	Oil Rubbed Bronze	+1,759	+2,448

Please consult [page 7](#) for the palette of DatesWeiser finishes. Natural stone, non-standard glass and veneer, and other technology options are available. Please email [customerservice@datesweiser.com](mailto:customerservice@datesweiser.com) for a custom quote. Consult technical information on [page 274](#) for construction details and technical information.

# Highline Rectangular Conference Table

48"x108"/ 8 Person

02R48X108



Starting Price: **\$12,438**

48x108 table, veneer Tier 1 top with metal edge, open base, powder coat metal finish

Base Pattern Number: 02R48X108

## Step 1. Top Material

V	Veneer
G	Glass
C	Corian
Q	Caesarstone

## Step 2. Edge Selection

N__	No Edge
L__	Leather Edge
M__	Metal Edge

## Step 3. Base Type

BL	Base Loop	+0
----	-----------	----

## Step 4. Edge Finish

AU__	Spinneybeck Leather: Acqua	+2,465
MC__	Powder Coat	+0
PM01	Polished Chrome	+1,212
PM02	Satin Nickel	+1,212
PM03	Oil Rubbed Bronze	+1,212

## Step 5. Top Finish

T1__	Veneer Tier 1	+0
T2__	Veneer Tier 2	+914
GC__	Clear Glass, back painted	+3,929
GE__	Etched matte Glass, back painted	+4,723
CS01	Corian Glacier White	+5,755
QS__	Caesarstone	+14,884

## Step 6. Base Finish

MC__	Powder Coat	+0
PM01	Polished Chrome	+355
PM02	Satin Nickel	+355
PM03	Oil Rubbed Bronze	+695

## Step 7. Microphone and/or Grommet Accommodations: Optional

MA__	Microphone hole (factory cut)	Qty __ x 354 each
GM__	2" Grommet Hole (factory cut), liner, lid, in matching metal finish	Qty __ x 466 each

## Step 8. Power & Connectivity Access: Optional

TMHW	Tabletop, Metal lid, Hardwired, Qty 2	+8,260
TMPI	Tabletop, Metal lid, Plug In, Qty 2	+7,038
TMLK	Tabletop, Metal lid, Linkable, Qty 2	+6,004
UMHW	Undermount, Hardwired, Qty 4	+4,496
UMPI	Undermount, Plug In, Qty 4	+3,268
UMLK	Undermount, Linkable, Qty 4	+3,268
SOHW	Undermount Slide-out, Hardwired, Qty 4	+7,832
SOP1	Undermount Slide-out, Plug In, Qty 4	+6,644
SOLK	Undermount Slide-out, Linkable, Qty 4	+6,644

## Wire Management Column (sold separately)

Required with any technology selection

Pattern Number: 02WMC6X6	+250
Pattern Number: 02WMC10X10	+975

## Step 1. Metal Finish for Wire Management Column

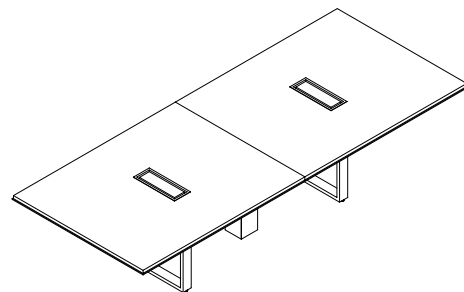
	6x6	10x10
MC__	Powder Coat	+0
PM01	Polished Chrome	+1,175
PM02	Satin Nickel	+1,175
PM03	Oil Rubbed Bronze	+1,759

Please consult [page 7](#) for the palette of DatesWeiser finishes. Natural stone, non-standard glass and veneer, and other technology options are available. Please email [customerservice@datesweiser.com](mailto:customerservice@datesweiser.com) for a custom quote. Consult technical information on [page 274](#) for construction details and technical information.

# Highline Rectangular Conference Table

48"x120"/ 10 Person

02R48X120



Starting Price: **\$13,404**

48x120 table, veneer Tier 1 top with metal edge, open base, powder coat metal finish

Base Pattern Number: 02R48X120

## Step 1. Top Material

V	Veneer
G	Glass
C	Corian
Q	Caesarstone

## Step 2. Edge Selection

N__	No Edge
L__	Leather Edge
M__	Metal Edge

## Step 3. Base Type

BL	Base Loop	+0
----	-----------	----

## Step 4. Edge Finish

AU__	Spinneybeck Leather: Acqua	+2,654
MC__	Powder Coat	+0
PM01	Polished Chrome	+1,263
PM02	Satin Nickel	+1,263
PM03	Oil Rubbed Bronze	+1,263

## Step 5. Top Finish

T1__	Veneer Tier 1	+0
T2__	Veneer Tier 2	+1,015
GC__	Clear Glass, back painted	+4,366
GE__	Etched matte Glass, back painted	+5,248
CS01	Corian Glacier White	+6,395
QS__	Caesarstone	+16,538

## Step 6. Base Finish

MC__	Powder Coat	+0
PM01	Polished Chrome	+355
PM02	Satin Nickel	+355
PM03	Oil Rubbed Bronze	+695

## Step 7. Microphone and/or Grommet Accommodations: Optional

MA__	Microphone hole (factory cut)	Qty __ x 354 each
GM__	2" Grommet Hole (factory cut), liner, lid, in matching metal finish	Qty __ x 466 each

## Step 8. Power & Connectivity Access: Optional

TMHW	Tabletop, Metal lid, Hardwired, Qty 2	+8,260
TMPI	Tabletop, Metal lid, Plug In, Qty 2	+7,038
TMLK	Tabletop, Metal lid, Linkable, Qty 2	+6,004
UMHW	Undermount, Hardwired, Qty 6	+6,744
UMPI	Undermount, Plug In, Qty 6	+4,902
UMLK	Undermount, Linkable, Qty 6	+4,902
SOHW	Undermount Slide-out, Hardwired, Qty 6	+11,748
SOPI	Undermount Slide-out, Plug In, Qty 6	+9,966
SOLK	Undermount Slide-out, Linkable, Qty 6	+9,966

## Wire Management Column (sold separately)

Required with any technology selection

Pattern Number: 02WMC6X6	+250
Pattern Number: 02WMC10X10	+975

## Step 1. Metal Finish for Wire Management Column

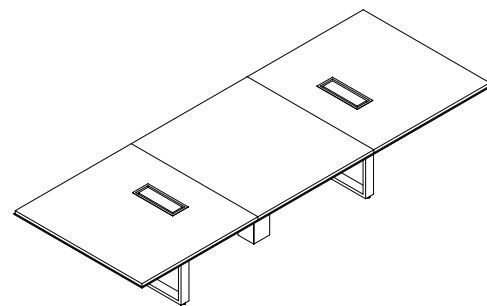
		6x6	10x10
MC__	Powder Coat	+0	+0
PM01	Polished Chrome	+1,175	+536
PM02	Satin Nickel	+1,175	+536
PM03	Oil Rubbed Bronze	+1,759	+2,448

Please consult [page 7](#) for the palette of DatesWeiser finishes. Natural stone, non-standard glass and veneer, and other technology options are available. Please email [customerservice@datesweiser.com](mailto:customerservice@datesweiser.com) for a custom quote. Consult technical information on [page 274](#) for construction details and technical information.

# Highline Rectangular Conference Table

48"x132"/ 10 Person

02R48X132



Starting Price: **\$16,435**

48x132 table, veneer Tier 1 top with metal edge, open base, powder coat metal finish

Base Pattern Number: 02R48X132

## Step 1. Top Material

V	Veneer
G	Glass
C	Corian
Q	Caesarstone

## Step 2. Edge Selection

N__	No Edge
L__	Leather Edge
M__	Metal Edge

## Step 3. Base Type

BL	Base Loop	+0
----	-----------	----

## Step 2. Edge Selection/ Finish

AU__	Spinneybeck Leather: Acqua	+2,844
MC__	Powder Coat	+0
PM01	Polished Chrome	+1,264
PM02	Satin Nickel	+1,264
PM03	Oil Rubbed Bronze	+1,264

## Step 5. Top Finish

T1__	Veneer Tier 1	+0
T2__	Veneer Tier 2	+1,116
GC__	Clear Glass, back painted	+4,802
GE__	Etched matte Glass, back painted	+5,773
CS01	Corian Glacier White	+7,034
QS__	Caesarstone	+18,191

## Step 6. Base Finish

MC__	Powder Coat	+0
PM01	Polished Chrome	+355
PM02	Satin Nickel	+355
PM03	Oil Rubbed Bronze	+695

## Step 7. Microphone and/or Grommet Accommodations: Optional

MA__	Microphone hole (factory cut)	Qty __ x 354 each
GM__	2" Grommet Hole (factory cut), liner, lid, in matching metal finish	Qty __ x 466 each

## Step 8. Power & Connectivity Access: Optional

TMHW	Tabletop, Metal lid, Hardwired, Qty 2	+8,260
TMPI	Tabletop, Metal lid, Plug In, Qty 2	+7,038
TMLK	Tabletop, Metal lid, Linkable, Qty 2	+6,004
UMHW	Undermount, Hardwired, Qty 6	+6,744
UMPI	Undermount, Plug In, Qty 6	+4,902
UMLK	Undermount, Linkable, Qty 6	+4,902
SOHW	Undermount Slide-out, Hardwired, Qty 6	+11,748
SOPI	Undermount Slide-out, Plug In, Qty 6	+9,966
SOLK	Undermount Slide-out, Linkable, Qty 6	+9,966

## Wire Management Column (sold separately)

Required with any technology selection

Pattern Number: 02WMC6X6	+250
Pattern Number: 02WMC10X10	+975

## Step 1. Metal Finish for Wire Management Column

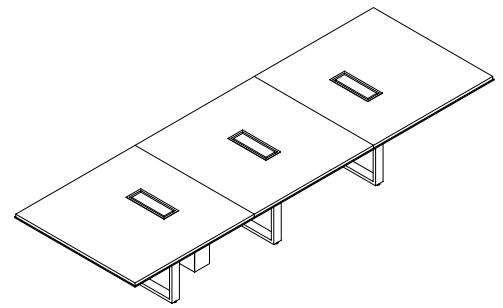
		6x6	10x10
MC__	Powder Coat	+0	+0
PM01	Polished Chrome	+1,175	+536
PM02	Satin Nickel	+1,175	+536
PM03	Oil Rubbed Bronze	+1,759	+2,448

Please consult [page 7](#) for the palette of DatesWeiser finishes. Natural stone, non-standard glass and veneer, and other technology options are available. Please email [customerservice@datesweiser.com](mailto:customerservice@datesweiser.com) for a custom quote. Consult technical information on [page 274](#) for construction details and technical information.

# Highline Rectangular Conference Table

48"x144"/ 10 Person

02R48X144BL



Starting Price: **\$17,295**

48x144 table, veneer Tier 1 top with metal edge, open base, powder coat metal finish

Base Pattern Number: 02R48X144

## Step 1. Top Material

V	Veneer
G	Glass
C	Corian
Q	Caesarstone

## Step 2. Edge Selection

N__	No Edge
L__	Leather Edge
M__	Metal Edge

## Step 3. Base Type

BL	Base Loop	+0
----	-----------	----

## Step 4. Edge Finish

AU__	Spinneybeck Leather: Acqua	+3,035
MC__	Powder Coat	+0
PM01	Polished Chrome	+1,263
PM02	Satin Nickel	+1,263
PM03	Oil Rubbed Bronze	+1,263

## Step 5. Top Finish

T1__	Veneer Tier 1	+0
T2__	Veneer Tier 2	+1,218
GC__	Clear Glass, back painted	+5,239
GE__	Etched matte Glass, back painted	+6,297
CS01	Corian Glacier White	+7,673
QS__	Caesarstone	+19,845

## Step 6. Base Finish

MC__	Powder Coat	+0
PM01	Polished Chrome	+532
PM02	Satin Nickel	+532
PM03	Oil Rubbed Bronze	+1,042

## Step 7. Microphone and/or Grommet Accommodations: Optional

MA__	Microphone hole (factory cut)	Qty __ x 354 each
GM__	2" Grommet Hole (factory cut), liner, lid, in matching metal finish	Qty __ x 466 each

## Step 8. Power & Connectivity Access: Optional

TMHW	Tabletop, Metal lid, Hardwired, Qty 3	+12,390
TMPI	Tabletop, Metal lid, Plug In, Qty 3	+10,557
TMLK	Tabletop, Metal lid, Linkable, Qty 3	+9,006
UMHW	Undermount, Hardwired, Qty 6	+6,744
UMPI	Undermount, Plug In, Qty 6	+4,902
UMLK	Undermount, Linkable, Qty 6	+4,902
SOHW	Undermount Slide-out, Hardwired, Qty 6	+11,748
SOPI	Undermount Slide-out, Plug In, Qty 6	+9,966
SOLK	Undermount Slide-out, Linkable, Qty 6	+9,966

## Wire Management Column (sold separately)

Required with any technology selection

Pattern Number: 02WMC6X6	+250
Pattern Number: 02WMC10X10	+975

## Step 1. Metal Finish for Wire Management Column

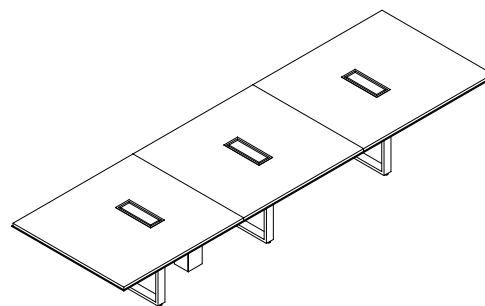
	6x6	10x10
MC__	Powder Coat	+0 +0
PM01	Polished Chrome	+1,175 +536
PM02	Satin Nickel	+1,175 +536
PM03	Oil Rubbed Bronze	+1,759 +2,448

Please consult [page 7](#) for the palette of DatesWeiser finishes. Natural stone, non-standard glass and veneer, and other technology options are available. Please email [customerservice@datesweiser.com](mailto:customerservice@datesweiser.com) for a custom quote. Consult technical information on [page 274](#) for construction details and technical information.

# Highline Rectangular Conference Table

48"x156"/ 10 - 12 Person

02R48X156



Starting Price: **\$17,961**

48x156 table, veneer Tier 1 top with metal edge, open base, powder coat metal finish

Base Pattern Number: 02R48X156

## Step 1. Top Material

V	Veneer
G	Glass
C	Corian
Q	Caesarstone

## Step 2. Edge Selection

N__	No Edge
L__	Leather Edge
M__	Metal Edge

## Step 3. Base Type

BL	Base Loop	+0
----	-----------	----

## Step 4. Edge Finish

AU__	Spinneybeck Leather: Acqua	+3,224
MC__	Powder Coat	+0
PM01	Polished Chrome	+1,263
PM02	Satin Nickel	+1,263
PM03	Oil Rubbed Bronze	+1,263

## Step 5. Top Finish

T1__	Veneer Tier 1	+0
T2__	Veneer Tier 2	+1,318
GC__	Clear Glass, back painted	+5,676
GE__	Etched matte Glass, back painted	+6,822
CS01	Corian Glacier White	+8,313
QS__	Caesarstone	+21,499

## Step 6. Base Finish

MC__	Powder Coat	+0
PM01	Polished Chrome	+532
PM02	Satin Nickel	+532
PM03	Oil Rubbed Bronze	+1,042

## Step 7. Microphone and/or Grommet Accommodations: Optional

MA__	Microphone hole (factory cut)	Qty __ x 354 each
GM__	2" Grommet Hole (factory cut), liner, lid, in matching metal finish	Qty __ x 466 each

## Step 8. Power & Connectivity Access: Optional

TMHW	Tabletop, Metal lid, Hardwired, Qty 3	+12,390
TMPI	Tabletop, Metal lid, Plug In, Qty 3	+10,557
TMLK	Tabletop, Metal lid, Linkable, Qty 3	+9,006
UMHW	Undermount, Hardwired, Qty 6	+6,744
UMPI	Undermount, Plug In, Qty 6	+4,902
UMLK	Undermount, Linkable, Qty 6	+4,902
SOHW	Undermount Slide-out, Hardwired, Qty 6	+11,748
SOPI	Undermount Slide-out, Plug In, Qty 6	+9,966
SOLK	Undermount Slide-out, Linkable, Qty 6	+9,966

## Wire Management Column (sold separately)

Required with any technology selection

Pattern Number: 02WMC6X6	+250
Pattern Number: 02WMC10X10	+975

## Step 1. Metal Finish for Wire Management Column

		6x6	10x10
MC__	Powder Coat	+0	+0
PM01	Polished Chrome	+1,175	+536
PM02	Satin Nickel	+1,175	+536
PM03	Oil Rubbed Bronze	+1,759	+2,448

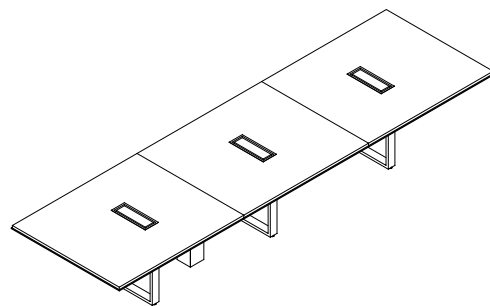
Please consult [page 7](#) for the palette of DatesWeiser finishes. Natural stone, non-standard glass and veneer, and other technology options are available. Please email [customerservice@datesweiser.com](mailto:customerservice@datesweiser.com) for a custom quote. Consult technical information on [page 274](#) for construction details and technical information.



# Highline Rectangular Conference Table

48"x168"/ 12 Person

02R48X168



Starting Price: **\$19,029**

48x168 table, veneer Tier 1 top with metal edge, open base, powder coat metal finish

Base Pattern Number: 02R48X168

## Step 1. Top Material

V	Veneer
G	Glass
C	Corian
Q	Caesarstone

## Step 2. Edge Selection

N__	No Edge
L__	Leather Edge
M__	Metal Edge

## Step 3. Base Type

BL	Base Loop	+0
----	-----------	----

## Step 4. Edge Finish

AU__	Spinneybeck Leather: Acqua	+3,414
MC__	Powder Coat	+0
PM01	Polished Chrome	+2,079
PM02	Satin Nickel	+2,079
PM03	Oil Rubbed Bronze	+2,079

## Step 5. Top Finish

T1__	Veneer Tier 1	+0
T2__	Veneer Tier 2	+1,420
GC__	Clear Glass, back painted	+6,112
GE__	Etched matte Glass, back painted	+7,347
CS01	Corian Glacier White	+8,952
QS__	Caesarstone	+23,153

## Step 6. Base Finish

MC__	Powder Coat	+0
PM01	Polished Chrome	+532
PM02	Satin Nickel	+532
PM03	Oil Rubbed Bronze	+1,042

## Step 7. Microphone and/or Grommet Accommodations: Optional

MA__	Microphone hole (factory cut)	Qty __ x 354 each
GM__	2" Grommet Hole (factory cut), liner, lid, in matching metal finish	Qty __ x 466 each

## Step 8. Power & Connectivity Access: Optional

TMHW	Tabletop, Metal lid, Hardwired, Qty 3	+12,390
TMPI	Tabletop, Metal lid, Plug In, Qty 3	+10,557
TMLK	Tabletop, Metal lid, Linkable, Qty 3	+9,006
UMHW	Undermount, Hardwired, Qty 6	+6,744
UMPI	Undermount, Plug In, Qty 6	+4,902
UMLK	Undermount, Linkable, Qty 6	+4,902
SOHW	Undermount Slide-out, Hardwired, Qty 6	+11,748
SOPI	Undermount Slide-out, Plug In, Qty 6	+9,966
SOLK	Undermount Slide-out, Linkable, Qty 6	+9,966

## Wire Management Column (sold separately)

Required with any technology selection

Pattern Number: 02WMC6X6	+250
Pattern Number: 02WMC10X10	+975

## Step 1. Metal Finish for Wire Management Column

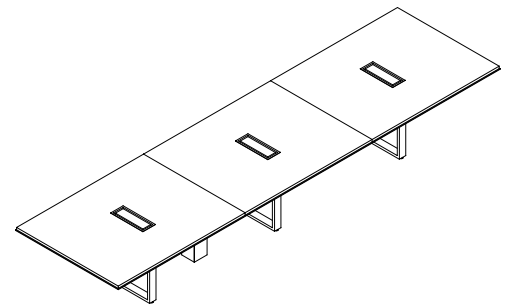
		6x6	10x10
MC__	Powder Coat	+0	+0
PM01	Polished Chrome	+1,175	+536
PM02	Satin Nickel	+1,175	+536
PM03	Oil Rubbed Bronze	+1,759	+2,448

Please consult [page 7](#) for the palette of DatesWeiser finishes. Natural stone, non-standard glass and veneer, and other technology options are available. Please email [customerservice@datesweiser.com](mailto:customerservice@datesweiser.com) for a custom quote. Consult technical information on [page 274](#) for construction details and technical information.

# Highline Rectangular Conference Table

48"x180"/ 14 Person

02R48X180



Starting Price: **\$19,804**

48x180 table, veneer Tier 1 top with metal edge, open base, powder coat metal finish

Base Pattern Number: 02R48X180

## Step 1. Top Material

V	Veneer
G	Glass
C	Corian
Q	Caesarstone

## Step 2. Edge Selection

N__	No Edge
L__	Leather Edge
M__	Metal Edge

## Step 3. Base Type

BL	Base Loop	+0
----	-----------	----

## Step 4. Edge Finish

AU__	Spinneybeck Leather: Acqua	+3,603
MC__	Powder Coat	+0
PM01	Polished Chrome	+2,079
PM02	Satin Nickel	+2,079
PM03	Oil Rubbed Bronze	+2,079

## Step 5. Top Finish

T1__	Veneer Tier 1	+0
T2__	Veneer Tier 2	+1,224
GC__	Clear Glass, back painted	+6,252
GE__	Etched matte Glass, back painted	+7,575
CS01	Corian Glacier White	+9,295
QS__	Caesarstone	+24,509

## Step 6. Base Finish

MC__	Powder Coat	+0
PM01	Polished Chrome	+532
PM02	Satin Nickel	+532
PM03	Oil Rubbed Bronze	+1,042

## Step 7. Microphone and/or Grommet Accommodations: Optional

MA__	Microphone hole (factory cut)	Qty __ x 354 each
GM__	2" Grommet Hole (factory cut), liner, lid, in matching metal finish	Qty __ x 466 each

## Step 8. Power & Connectivity Access: Optional

TMHW	Tabletop, Metal lid, Hardwired, Qty 3	+12,390
TMPI	Tabletop, Metal lid, Plug In, Qty 3	+10,557
TMLK	Tabletop, Metal lid, Linkable, Qty 3	+9,006
UMHW	Undermount, Hardwired, Qty 8	+8,992
UMPI	Undermount, Plug In, Qty 8	+6,536
UMLK	Undermount, Linkable, Qty 8	+6,436
SOHW	Undermount Slide-out, Hardwired, Qty 8	+15,664
SOPI	Undermount Slide-out, Plug In, Qty 8	+13,288
SOLK	Undermount Slide-out, Linkable, Qty 8	+13,288

## Wire Management Column (sold separately)

Required with any technology selection

Pattern Number: 02WMC6X6	+250
Pattern Number: 02WMC10X10	+975

## Step 1. Metal Finish for Wire Management Column

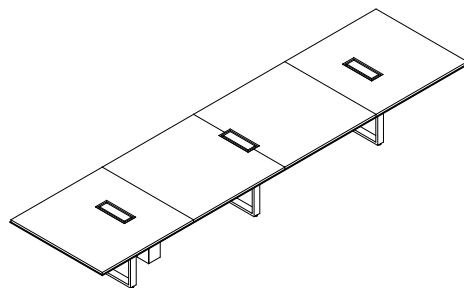
		6x6	10x10
MC__	Powder Coat	+0	+0
PM01	Polished Chrome	+1,175	+536
PM02	Satin Nickel	+1,175	+536
PM03	Oil Rubbed Bronze	+1,759	+2,448

Please consult [page 7](#) for the palette of DatesWeiser finishes. Natural stone, non-standard glass and veneer, and other technology options are available. Please email [customerservice@datesweiser.com](mailto:customerservice@datesweiser.com) for a custom quote. Consult technical information on [page 274](#) for construction details and technical information.

# Highline Rectangular Conference Table

48"x192"/ 14 Person

02R48X192



Starting Price: **\$20,642**

48x192 table, veneer Tier 1 top with metal edge, open base, powder coat metal finish

Base Pattern Number: 02R48X192

## Step 1. Top Material

V	Veneer
G	Glass
C	Corian
Q	Caesarstone

## Step 2. Edge Selection

N__	No Edge
L__	Leather Edge
M__	Metal Edge

## Step 3. Base Type

BL	Base Loop	+0
----	-----------	----

## Step 4. Edge Finish

AU__	Spinneybeck Leather: Acqua	+3,793
MC__	Powder Coat	+0
PM01	Polished Chrome	+2,079
PM02	Satin Nickel	+2,079
PM03	Oil Rubbed Bronze	+2,079

## Step 5. Top Finish

T1__	Veneer Tier 1	+0
T2__	Veneer Tier 2	+1,623
GC__	Clear Glass, back painted	+6,986
GE__	Etched matte Glass, back painted	+8,397
CS01	Corian Glacier White	+10,231
QS__	Caesarstone	+26,460

## Step 2. Base Finish

MC__	Powder Coat	+0
PM01	Polished Chrome	+532
PM02	Satin Nickel	+532
PM03	Oil Rubbed Bronze	+1,042

## Step 7. Microphone and/or Grommet Accommodations: Optional

MA__	Microphone hole (factory cut)	Qty __ x 354 each
GM__	2" Grommet Hole (factory cut), liner, lid, in matching metal finish	Qty __ x 466 each

## Step 8. Power & Connectivity Access: Optional

TMHW	Tabletop, Metal lid, Hardwired, Qty 3	+12,390
TMPI	Tabletop, Metal lid, Plug In, Qty 3	+10,557
TMLK	Tabletop, Metal lid, Linkable, Qty 3	+9,006
UMHW	Undermount, Hardwired, Qty 8	+8,992
UMPI	Undermount, Plug In, Qty 8	+6,536
UMLK	Undermount, Linkable, Qty 8	+6,436
SOHW	Undermount Slide-out, Hardwired, Qty 8	+15,664
SOPI	Undermount Slide-out, Plug In, Qty 8	+13,288
SOLK	Undermount Slide-out, Linkable, Qty 8	+13,288

## Wire Management Column (sold separately)

Required with any technology selection

Pattern Number: 02WMC6X6	+250
Pattern Number: 02WMC10X10	+975

## Step 1. Metal Finish for Wire Management Column

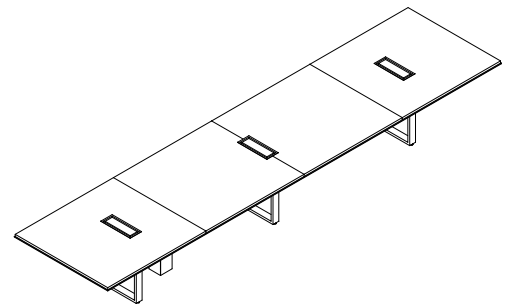
	6x6	10x10
MC__	Powder Coat	+0 +0
PM01	Polished Chrome	+1,175 +536
PM02	Satin Nickel	+1,175 +536
PM03	Oil Rubbed Bronze	+1,759 +2,448

Please consult [page 7](#) for the palette of DatesWeiser finishes. Natural stone, non-standard glass and veneer, and other technology options are available. Please email [customerservice@datesweiser.com](mailto:customerservice@datesweiser.com) for a custom quote. Consult technical information on [page 274](#) for construction details and technical information.

# Highline Rectangular Conference Table

48"x204"/ 14 Person

02R48X204



Starting Price: **\$22,696**

48x204 table, veneer Tier 1 top with metal edge, open base, powder coat metal finish

Base Pattern Number: 02R48X204

## Step 1. Top Material

V	Veneer
G	Glass
C	Corian
Q	Caesarstone

## Step 2. Edge Selection

N__	No Edge
L__	Leather Edge
M__	Metal Edge

## Step 3. Base Type

BL	Base Loop	+0
----	-----------	----

## Step 4. Edge Finish

AU__	Spinneybeck Leather: Acqua	+3,983
MC__	Powder Coat	+0
PM01	Polished Chrome	+2,079
PM02	Satin Nickel	+2,079
PM03	Oil Rubbed Bronze	+2,079

## Step 5. Top Finish

T1__	Veneer Tier 1	+0
T2__	Veneer Tier 2	+1,724
GC__	Clear Glass, back painted	+7,423
GE__	Etched matte Glass, back painted	+8,922
CS01	Corian Glacier White	+10,871
QS__	Caesarstone	+28,114

## Step 6. Base Finish

MC__	Powder Coat	+0
PM01	Polished Chrome	+532
PM02	Satin Nickel	+532
PM03	Oil Rubbed Bronze	+1,042

## Step 7. Microphone and/or Grommet Accommodations: Optional

MA__	Microphone hole (factory cut)	Qty __ x 354 each
GM__	2" Grommet Hole (factory cut), liner, lid, in matching metal finish	Qty __ x 466 each

## Step 8. Power & Connectivity Access: Optional

TMHW	Tabletop, Metal lid, Hardwired, Qty 3	+12,390
TMPI	Tabletop, Metal lid, Plug In, Qty 3	+10,557
TMLK	Tabletop, Metal lid, Linkable, Qty 3	+9,006
UMHW	Undermount, Hardwired, Qty 8	+8,992
UMPI	Undermount, Plug In, Qty 8	+6,536
UMLK	Undermount, Linkable, Qty 8	+6,436
SOHW	Undermount Slide-out, Hardwired, Qty 8	+15,664
SOPI	Undermount Slide-out, Plug In, Qty 8	+13,288
SOLK	Undermount Slide-out, Linkable, Qty 8	+13,288

## Wire Management Column (sold separately)

Required with any technology selection

Pattern Number: 02WMC6X6	+250
Pattern Number: 02WMC10X10	+975

## Step 1. Metal Finish for Wire Management Column

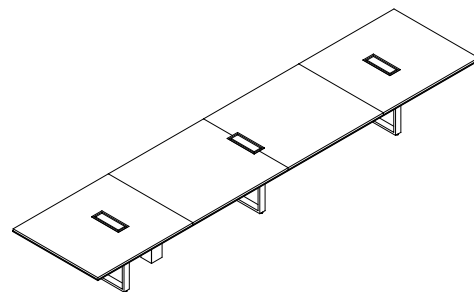
		6x6	10x10
MC__	Powder Coat	+0	+0
PM01	Polished Chrome	+1,175	+536
PM02	Satin Nickel	+1,175	+536
PM03	Oil Rubbed Bronze	+1,759	+2,448

Please consult [page 7](#) for the palette of DatesWeiser finishes. Natural stone, non-standard glass and veneer, and other technology options are available. Please email [customerservice@datesweiser.com](mailto:customerservice@datesweiser.com) for a custom quote. Consult technical information on [page 274](#) for construction details and technical information.

# Highline Rectangular Conference Table

48"x216"/ 16 Person

02R48X216



Starting Price: **\$22,227**

48x216 table, veneer Tier 1 top with metal edge, open base, powder coat metal finish

Base Pattern Number: 02R48X216

## Step 1. Top Material

V	Veneer
G	Glass
C	Corian
Q	Caesarstone

## Step 2. Edge Selection

N__	No Edge
L__	Leather Edge
M__	Metal Edge

## Step 3. Base Type

BL	Base Loop	+0
----	-----------	----

## Step 4. Edge Finish

AU__	Spinneybeck Leather: Acqua	+4,072
MC__	Powder Coat	+0
PM01	Polished Chrome	+2,079
PM02	Satin Nickel	+2,079
PM03	Oil Rubbed Bronze	+2,079

## Step 5. Top Finish

T1__	Veneer Tier 1	+0
T2__	Veneer Tier 2	+1,826
GC__	Clear Glass, back painted	+7,859
GE__	Etched matte Glass, back painted	+9,446
CS01	Corian Glacier White	+11,511
QS__	Caesarstone	+29,768

## Step 6. Base Finish

MC__	Powder Coat	+0
PM01	Polished Chrome	+532
PM02	Satin Nickel	+532
PM03	Oil Rubbed Bronze	+1,042

## Step 7. Microphone and/or Grommet Accommodations: Optional

MA__	Microphone hole (factory cut)	Qty __ x 354 each
GM__	2" Grommet Hole (factory cut), liner, lid, in matching metal finish	Qty __ x 466 each

## Step 8. Power & Connectivity Access: Optional

TMHW	Tabletop, Metal lid, Hardwired, Qty 3	+12,390
TMPI	Tabletop, Metal lid, Plug In, Qty 3	+10,557
TMLK	Tabletop, Metal lid, Linkable, Qty 3	+9,006
UMHW	Undermount, Hardwired, Qty 8	+8,992
UMPI	Undermount, Plug In, Qty 8	+6,536
UMLK	Undermount, Linkable, Qty 8	+6,436
SOHW	Undermount Slide-out, Hardwired, Qty 8	+15,664
SOPI	Undermount Slide-out, Plug In, Qty 8	+13,288
SOLK	Undermount Slide-out, Linkable, Qty 8	+13,288

## Wire Management Column (sold separately)

Required with any technology selection

Pattern Number: 02WMC6X6	+250
Pattern Number: 02WMC10X10	+975

## Step 1. Metal Finish for Wire Management Column

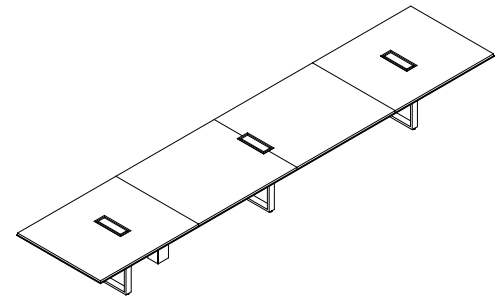
		6x6	10x10
MC__	Powder Coat	+0	+0
PM01	Polished Chrome	+1,175	+536
PM02	Satin Nickel	+1,175	+536
PM03	Oil Rubbed Bronze	+1,759	+2,448

Please consult [page 7](#) for the palette of DatesWeiser finishes. Natural stone, non-standard glass and veneer, and other technology options are available. Please email [customerservice@datesweiser.com](mailto:customerservice@datesweiser.com) for a custom quote. Consult technical information on [page 274](#) for construction details and technical information.

# Highline Rectangular Conference Table

48"x228"/ 16 Person

02R48X228



Starting Price: **\$23,004**

48x228 table, veneer Tier 1 top with metal edge, open base, powder coat metal finish

Base Pattern Number: 02R48X228

## Step 1. Top Material

V	Veneer
G	Glass
C	Corian
Q	Caesarstone

## Step 2. Edge Selection

N__	No Edge
L__	Leather Edge
M__	Metal Edge

## Step 3. Base Type

BL	Base Loop	+0
----	-----------	----

## Step 4. Edge Finish

AU__	Spinneybeck Leather: Acqua	+4,394
MC__	Powder Coat	+0
PM01	Polished Chrome	+2,079
PM02	Satin Nickel	+2,079
PM03	Oil Rubbed Bronze	+2,079

## Step 5. Top Finish

T1__	Veneer Tier 1	+0
T2__	Veneer Tier 2	+1,928
GC__	Clear Glass, back painted	+8,297
GE__	Etched matte Glass, back painted	+9,972
CS01	Corian Glacier White	+12,150
QS__	Caesarstone	+31,422

## Step 6. Base Finish

MC__	Powder Coat	+0
PM01	Polished Chrome	+532
PM02	Satin Nickel	+532
PM03	Oil Rubbed Bronze	+1,042

## Step 7. Microphone and/or Grommet Accommodations: Optional

MA__	Microphone hole (factory cut)	Qty __ x 354 each
GM__	2" Grommet Hole (factory cut), liner, lid, in matching metal finish	Qty __ x 466 each

## Step 8. Power & Connectivity Access: Optional

TMHW	Tabletop, Metal lid, Hardwired, Qty 3	+12,390
TMPI	Tabletop, Metal lid, Plug In, Qty 3	+10,557
TMLK	Tabletop, Metal lid, Linkable, Qty 3	+9,006
UMHW	Undermount, Hardwired, Qty 8	+8,992
UMPI	Undermount, Plug In, Qty 8	+6,536
UMLK	Undermount, Linkable, Qty 8	+6,436
SOHW	Undermount Slide-out, Hardwired, Qty 8	+15,664
SOPI	Undermount Slide-out, Plug In, Qty 8	+13,288
SOLK	Undermount Slide-out, Linkable, Qty 8	+13,288

## Wire Management Column (sold separately)

Required with any technology selection

Pattern Number: 02WMC6X6	+250
Pattern Number: 02WMC10X10	+975

## Step 1. Metal Finish for Wire Management Column

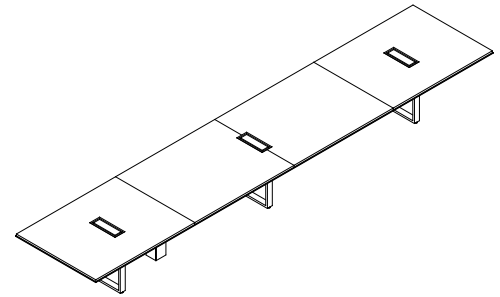
		6x6	10x10
MC__	Powder Coat	+0	+0
PM01	Polished Chrome	+1,175	+536
PM02	Satin Nickel	+1,175	+536
PM03	Oil Rubbed Bronze	+1,759	+2,448

Please consult [page 7](#) for the palette of DatesWeiser finishes. Natural stone, non-standard glass and veneer, and other technology options are available. Please email [customerservice@datesweiser.com](mailto:customerservice@datesweiser.com) for a custom quote. Consult technical information on [page 274](#) for construction details and technical information.

# Highline Rectangular Conference Table

48"x240"/ 18 Person

02R48X240



Starting Price: **\$23,797**

48x240 table, veneer Tier 1 top with metal edge, open base, powder coat metal finish

Base Pattern Number: 02R48X240

## Step 1. Top Material

V	Veneer
G	Glass
C	Corian
Q	Caesarstone

## Step 2. Edge Selection

N__	No Edge
L__	Leather Edge
M__	Metal Edge

## Step 3. Base Type

BL	Base Loop	+0
----	-----------	----

## Step 4. Edge Finish

AU__	Spinneybeck Leather: Acqua	+4,551
MC__	Powder Coat	+0
PM01	Polished Chrome	+2,079
PM02	Satin Nickel	+2,079
PM03	Oil Rubbed Bronze	+2,079

## Step 5. Top Finish

T1__	Veneer Tier 1	+0
T2__	Veneer Tier 2	+2,029
GC__	Clear Glass, back painted	+8,732
GE__	Etched matte Glass, back painted	+10,496
CS01	Corian Glacier White	+12,789
QS__	Caesarstone	+33,075

## Step 6. Base Finish

MC__	Powder Coat	+0
PM01	Polished Chrome	+532
PM02	Satin Nickel	+532
PM03	Oil Rubbed Bronze	+1,042

## Step 7. Microphone and/or Grommet Accommodations: Optional

MA__	Microphone hole (factory cut)	Qty __ x 354 each
GM__	2" Grommet Hole (factory cut), liner, lid, in matching metal finish	Qty __ x 466 each

## Step 8. Power & Connectivity Access: Optional

TMHW	Tabletop, Metal lid, Hardwired, Qty 3	+12,390
TMPI	Tabletop, Metal lid, Plug In, Qty 3	+10,557
TMLK	Tabletop, Metal lid, Linkable, Qty 3	+9,006
UMHW	Undermount, Hardwired, Qty 10	+11,240
UMPI	Undermount, Plug In, Qty 10	+8,170
UMLK	Undermount, Linkable, Qty 10	+8,170
SOHW	Undermount Slide-out, Hardwired, Qty 10	+19,580
SOP1	Undermount Slide-out, Plug In, Qty 10	+16,610
SOLK	Undermount Slide-out, Linkable, Qty 10	+16,610

## Wire Management Column (sold separately)

Required with any technology selection

Pattern Number: 02WMC6X6	+250
Pattern Number: 02WMC10X10	+975

## Step 1. Metal Finish for Wire Management Column

		6x6	10x10
MC__	Powder Coat	+0	+0
PM01	Polished Chrome	+1,175	+536
PM02	Satin Nickel	+1,175	+536
PM03	Oil Rubbed Bronze	+1,759	+2,448

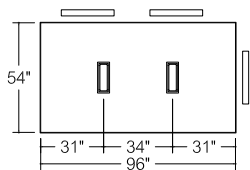
Please consult [page 7](#) for the palette of DatesWeiser finishes. Natural stone, non-standard glass and veneer, and other technology options are available. Please email [customerservice@datesweiser.com](mailto:customerservice@datesweiser.com) for a custom quote. Consult technical information on [page 274](#) for construction details and technical information.



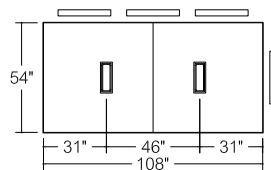


# Highline Rectangular Conference Tables Index

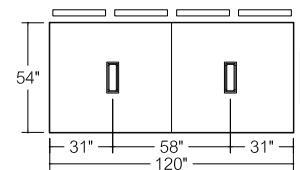
54" width



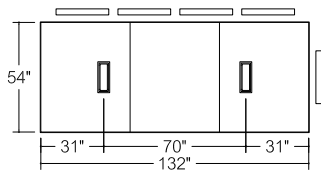
02R54X96  
6 - 8 Person Table



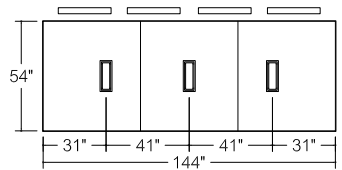
02R54X108  
8 Person Table



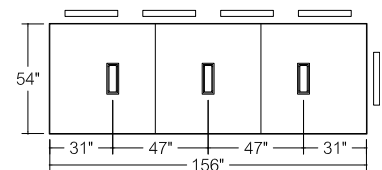
02R54X120  
10 Person Table



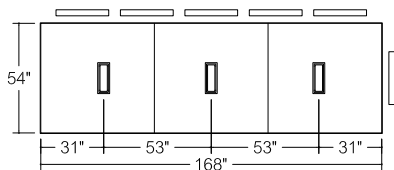
02R54X132  
10 Person Table



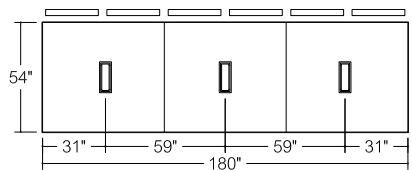
02R54X144  
10 Person Table



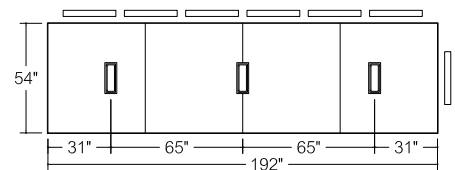
02R54X156  
10 - 12 Person Table



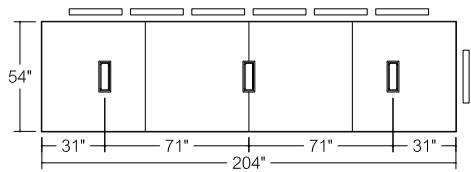
02R54X168  
12 Person Table



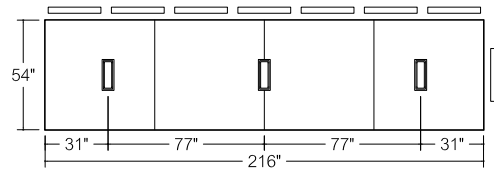
02R54X180  
14 Person Table



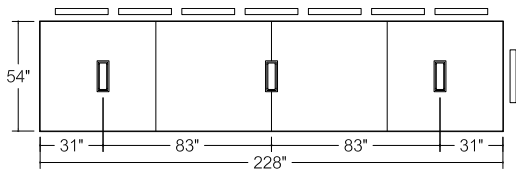
02R54X192  
14 Person Table



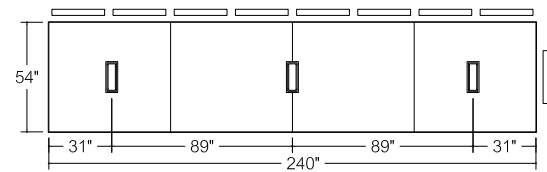
02R54X204  
14 Person Table



02R54X216  
16 Person Table



02R54X228  
16 Person Table

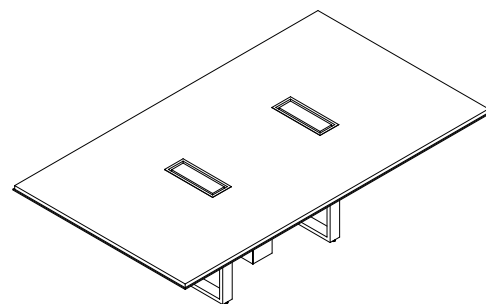


02R54X240  
18 Person Table

# Highline Rectangular Conference Table

54"x96" / 6 - 8 Person

02R54X96



Starting Price: **\$12,948**

54x96 table, veneer Tier 1 top with metal edge, open base, powder coat metal finish

Base Pattern Number: 02R54X96

## Step 1. Top Material

V	Veneer
G	Glass
C	Corian
Q	Caesarstone

## Step 2. Edge Selection

N__	No Edge
L__	Leather Edge
M__	Metal Edge

## Step 3. Base Type

BL	Base Loop	+0
----	-----------	----

## Step 4. Edge Finish

AU__	Spinneybeck Leather: Acqua	+2,371
MC__	Powder Coat	+0
PM01	Polished Chrome	+1,239
PM02	Satin Nickel	+1,239
PM03	Oil Rubbed Bronze	+1,239

## Step 5. Top Finish

T1__	Veneer Tier 1	+0
T2__	Veneer Tier 2	+913
GC__	Clear Glass, back painted	+3,929
GE__	Etched matte Glass, back painted	+4,722
CS01	Corian Glacier White	+5,755
QS__	Caesarstone	+14,883

## Step 6. Base Finish

MC__	Powder Coat	+0
PM01	Polished Chrome	+355
PM02	Satin Nickel	+355
PM03	Oil Rubbed Bronze	+695

## Step 7. Microphone and/or Grommet Accommodations: Optional

MA__	Microphone hole (factory cut)	Qty __ x 354 each
GM__	2" Grommet Hole (factory cut), liner, lid, in matching metal finish	Qty __ x 466 each

## Step 8. Power & Connectivity Access: Optional

TMHW	Tabletop, Metal lid, Hardwired, Qty 2	+8,260
TMPI	Tabletop, Metal lid, Plug In, Qty 2	+7,038
TMLK	Tabletop, Metal lid, Linkable, Qty 2	+6,004
UMHW	Undermount, Hardwired, Qty 4	+4,496
UMPI	Undermount, Plug In, Qty 4	+3,268
UMLK	Undermount, Linkable, Qty 4	+3,268
SOHW	Undermount Slide-out, Hardwired, Qty 4	+7,832
SOPI	Undermount Slide-out, Plug In, Qty 4	+6,644
SOLK	Undermount Slide-out, Linkable, Qty 4	+6,644

## Wire Management Column (sold separately)

Required with any technology selection

Pattern Number: 02WMC6X6	+250
Pattern Number: 02WMC10X10	+975

## Step 1. Metal Finish for Wire Management Column

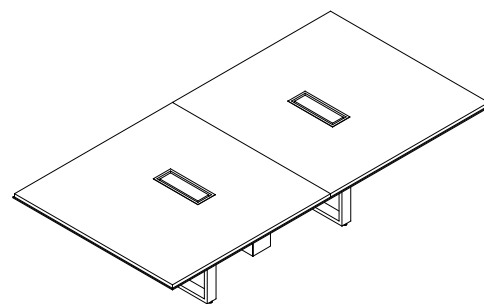
		6x6	10x10
MC__	Powder Coat	+0	+0
PM01	Polished Chrome	+1,175	+536
PM02	Satin Nickel	+1,175	+536
PM03	Oil Rubbed Bronze	+1,759	+2,448

Please consult [page 7](#) for the palette of DatesWeiser finishes. Natural stone, non-standard glass and veneer, and other technology options are available. Please email [customerservice@datesweiser.com](mailto:customerservice@datesweiser.com) for a custom quote. Consult technical information on [page 274](#) for construction details and technical information.

# Highline Rectangular Conference Table

54"x108"/ 8 Person

02R54X108



Starting Price: **\$14,028**

54x108 table, veneer Tier 1 top with metal edge, open base, powder coat metal finish

Base Pattern Number: 02R54X108

## Step 1. Top Material

V	Veneer
G	Glass
C	Corian
Q	Caesarstone

## Step 2. Edge Selection

N__	No Edge
L__	Leather Edge
M__	Metal Edge

## Step 3. Base Type

BL	Base Loop	+0
----	-----------	----

## Step 4. Edge Finish

AU__	Spinneybeck Leather: Acqua	+2,560
MC__	Powder Coat	+0
PM01	Polished Chrome	+1,239
PM02	Satin Nickel	+1,239
PM03	Oil Rubbed Bronze	+1,239

## Step 5. Top Finish

T1__	Veneer Tier 1	+0
T2__	Veneer Tier 2	+1,028
GC__	Clear Glass, back painted	+4,422
GE__	Etched matte Glass, back painted	+5,314
CS01	Corian Glacier White	+6,475
QS__	Caesarstone	+16,745

## Step 6. Base Finish

MC__	Powder Coat	+0
PM01	Polished Chrome	+355
PM02	Satin Nickel	+355
PM03	Oil Rubbed Bronze	+695

## Step 7. Microphone and/or Grommet Accommodations: Optional

MA__	Microphone hole (factory cut)	Qty __ x 354 each
GM__	2" Grommet Hole (factory cut), liner, lid, in matching metal finish	Qty __ x 466 each

## Step 8. Power & Connectivity Access: Optional

TMHW	Tabletop, Metal lid, Hardwired, Qty 2	+8,260
TMPI	Tabletop, Metal lid, Plug In, Qty 2	+7,038
TMLK	Tabletop, Metal lid, Linkable, Qty 2	+6,004
UMHW	Undermount, Hardwired, Qty 4	+4,496
UMPI	Undermount, Plug In, Qty 4	+3,268
UMLK	Undermount, Linkable, Qty 4	+3,268
SOHW	Undermount Slide-out, Hardwired, Qty 4	+7,832
SOPI	Undermount Slide-out, Plug In, Qty 4	+6,644
SOLK	Undermount Slide-out, Linkable, Qty 4	+6,644

## Wire Management Column (sold separately)

Required with any technology selection

Pattern Number: 02WMC6X6	+250
Pattern Number: 02WMC10X10	+975

## Step 1. Metal Finish for Wire Management Column

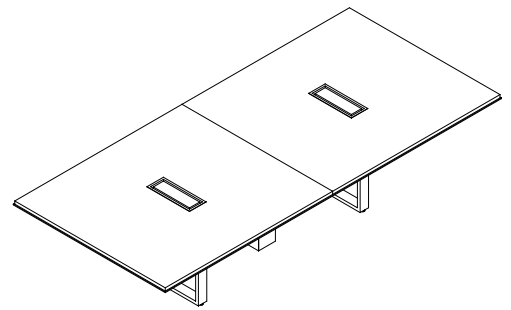
		6x6	10x10
MC__	Powder Coat	+0	+0
PM01	Polished Chrome	+1,175	+536
PM02	Satin Nickel	+1,175	+536
PM03	Oil Rubbed Bronze	+1,759	+2,448

Please consult [page 7](#) for the palette of DatesWeiser finishes. Natural stone, non-standard glass and veneer, and other technology options are available. Please email [customerservice@datesweiser.com](mailto:customerservice@datesweiser.com) for a custom quote. Consult technical information on [page 274](#) for construction details and technical information.

# Highline Rectangular Conference Table

54"x120"/ 10 Person

02R54X120



Starting Price: **\$15,117**

54x120 table, veneer Tier 1 top with metal edge, open base, powder coat metal finish

Base Pattern Number: 02R54X120

## Step 1. Top Material

V	Veneer
G	Glass
C	Corian
Q	Caesarstone

## Step 2. Edge Selection

N__	No Edge
L__	Leather Edge
M__	Metal Edge

## Step 3. Base Type

BL	Base Loop	+0
----	-----------	----

## Step 4. Edge Finish

AU__	Spinneybeck Leather: Acqua	+2,750
MC__	Powder Coat	+0
PM01	Polished Chrome	+1,239
PM02	Satin Nickel	+1,239
PM03	Oil Rubbed Bronze	+1,239

## Step 5. Top Finish

T1__	Veneer Tier 1	+0
T2__	Veneer Tier 2	+1,140
GC__	Clear Glass, back painted	+4,911
GE__	Etched matte Glass, back painted	+5,903
CS01	Corian Glacier White	+7,193
QS__	Caesarstone	+18,604

## Step 6. Base Finish

MC__	Powder Coat	+0
PM01	Polished Chrome	+355
PM02	Satin Nickel	+355
PM03	Oil Rubbed Bronze	+695

## Step 7. Microphone and/or Grommet Accommodations: Optional

MA__	Microphone hole (factory cut)	Qty __ x 354 each
GM__	2" Grommet Hole (factory cut), liner, lid, in matching metal finish	Qty __ x 466 each

## Step 8. Power & Connectivity Access: Optional

TMHW	Tabletop, Metal lid, Hardwired, Qty 2	+8,260
TMPI	Tabletop, Metal lid, Plug In, Qty 2	+7,038
TMLK	Tabletop, Metal lid, Linkable, Qty 2	+6,004
UMHW	Undermount, Hardwired, Qty 6	+6,744
UMPI	Undermount, Plug In, Qty 6	+4,902
UMLK	Undermount, Linkable, Qty 6	+4,902
SOHW	Undermount Slide-out, Hardwired, Qty 6	+11,748
SOPI	Undermount Slide-out, Plug In, Qty 6	+9,966
SOLK	Undermount Slide-out, Linkable, Qty 6	+9,966

## Wire Management Column (sold separately)

Required with any technology selection

Pattern Number: 02WMC6X6	+250
Pattern Number: 02WMC10X10	+975

## Step 1. Metal Finish for Wire Management Column

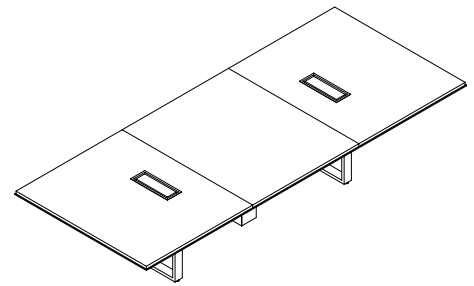
		6x6	10x10
MC__	Powder Coat	+0	+0
PM01	Polished Chrome	+1,175	+536
PM02	Satin Nickel	+1,175	+536
PM03	Oil Rubbed Bronze	+1,759	+2,448

Please consult [page 7](#) for the palette of DatesWeiser finishes. Natural stone, non-standard glass and veneer, and other technology options are available. Please email [customerservice@datesweiser.com](mailto:customerservice@datesweiser.com) for a custom quote. Consult technical information on [page 274](#) for construction details and technical information.

# Highline Rectangular Conference Table

54"x132"/ 10 Person

02R54X132



Starting Price: **\$18,544**

54x132 table, veneer Tier 1 top with metal edge, open base, powder coat metal finish

Base Pattern Number: 02R54X132

## Step 1. Top Material

V	Veneer
G	Glass
C	Corian
Q	Caesarstone

## Step 2. Edge Selection

N__	No Edge
L__	Leather Edge
M__	Metal Edge

## Step 3. Base Type

BL	Base Loop	+0
----	-----------	----

## Step 4. Edge Finish

AU__	Spinneybeck Leather: Acqua	+2,939
MC__	Powder Coat	+0
PM01	Polished Chrome	+1,412
PM02	Satin Nickel	+1,412
PM03	Oil Rubbed Bronze	+1,412

## Step 5. Top Finish

T1__	Veneer Tier 1	+0
T2__	Veneer Tier 2	+1,256
GC__	Clear Glass, back painted	+5,402
GE__	Etched matte Glass, back painted	+6,494
CS01	Corian Glacier White	+7,913
QS__	Caesarstone	+20,465

## Step 6. Base Finish

MC__	Powder Coat	+0
PM01	Polished Chrome	+355
PM02	Satin Nickel	+355
PM03	Oil Rubbed Bronze	+695

## Step 7. Microphone and/or Grommet Accommodations: Optional

MA__	Microphone hole (factory cut)	Qty __ x 354 each
GM__	2" Grommet Hole (factory cut), liner, lid, in matching metal finish	Qty __ x 466 each

## Step 8. Power & Connectivity Access: Optional

TMHW	Tabletop, Metal lid, Hardwired, Qty 2	+8,260
TMPI	Tabletop, Metal lid, Plug In, Qty 2	+7,038
TMLK	Tabletop, Metal lid, Linkable, Qty 2	+6,004
UMHW	Undermount, Hardwired, Qty 6	+6,744
UMPI	Undermount, Plug In, Qty 6	+4,902
UMLK	Undermount, Linkable, Qty 6	+4,902
SOHW	Undermount Slide-out, Hardwired, Qty 6	+11,748
SOPI	Undermount Slide-out, Plug In, Qty 6	+9,966
SOLK	Undermount Slide-out, Linkable, Qty 6	+9,966

## Wire Management Column (sold separately)

Required with any technology selection

Pattern Number: 02WMC6X6	+250
Pattern Number: 02WMC10X10	+975

## Step 1. Metal Finish for Wire Management Column

		6x6	10x10
MC__	Powder Coat	+0	+0
PM01	Polished Chrome	+1,175	+536
PM02	Satin Nickel	+1,175	+536
PM03	Oil Rubbed Bronze	+1,759	+2,448

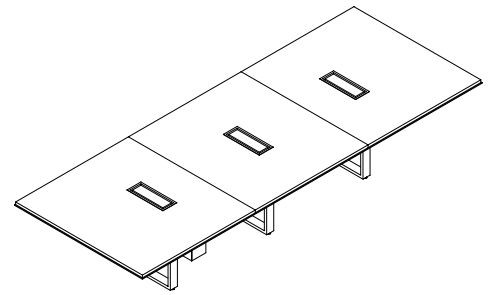
Please consult [page 7](#) for the palette of DatesWeiser finishes. Natural stone, non-standard glass and veneer, and other technology options are available. Please email [customerservice@datesweiser.com](mailto:customerservice@datesweiser.com) for a custom quote. Consult technical information on [page 274](#) for construction details and technical information.



# Highline Rectangular Conference Table

54"x144"/ 10 Person

02R54X144



Starting Price: **\$19,512**

54x144 table, veneer Tier 1 top with metal edge, open base, powder coat metal finish

Base Pattern Number: 02R54X144

## Step 1. Top Material

V	Veneer
G	Glass
C	Corian
Q	Caesarstone

## Step 2. Edge Selection

N__	No Edge
L__	Leather Edge
M__	Metal Edge

## Step 3. Base Type

BL	Base Loop	+0
----	-----------	----

## Step 4. Edge Finish

AU__	Spinneybeck Leather: Acqua	+3,129
MC__	Powder Coat	+0
PM01	Polished Chrome	+1,412
PM02	Satin Nickel	+1,412
PM03	Oil Rubbed Bronze	+1,412

## Step 5. Top Finish

T1__	Veneer Tier 1	+0
T2__	Veneer Tier 2	+1,369
GC__	Clear Glass, back painted	+5,894
GE__	Etched matte Glass, back painted	+7,085
CS01	Corian Glacier White	+8,632
QS__	Caesarstone	+22,325

## Step 6. Base Finish

MC__	Powder Coat	+0
PM01	Polished Chrome	+532
PM02	Satin Nickel	+532
PM03	Oil Rubbed Bronze	+1,042

## Step 7. Microphone and/or Grommet Accommodations: Optional

MA__	Microphone hole (factory cut)	Qty __ x 354 each
GM__	2" Grommet Hole (factory cut), liner, lid, in matching metal finish	Qty __ x 466 each

## Step 8. Power & Connectivity Access: Optional

TMHW	Tabletop, Metal lid, Hardwired, Qty 3	+12,390
TMPI	Tabletop, Metal lid, Plug In, Qty 3	+10,557
TMLK	Tabletop, Metal lid, Linkable, Qty 3	+9,006
UMHW	Undermount, Hardwired, Qty 6	+6,744
UMPI	Undermount, Plug In, Qty 6	+4,902
UMLK	Undermount, Linkable, Qty 6	+4,902
SOHW	Undermount Slide-out, Hardwired, Qty 6	+11,748
SOPI	Undermount Slide-out, Plug In, Qty 6	+9,966
SOLK	Undermount Slide-out, Linkable, Qty 6	+9,966

## Wire Management Column (sold separately)

Required with any technology selection

Pattern Number: 02WMC6X6	+250
Pattern Number: 02WMC10X10	+975

## Step 1. Metal Finish for Wire Management Column

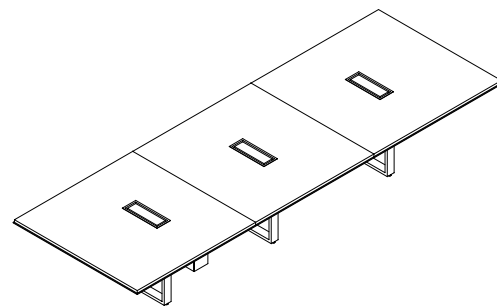
		6x6	10x10
MC__	Powder Coat	+0	+0
PM01	Polished Chrome	+1,175	+536
PM02	Satin Nickel	+1,175	+536
PM03	Oil Rubbed Bronze	+1,759	+2,448

Please consult [page 7](#) for the palette of DatesWeiser finishes. Natural stone, non-standard glass and veneer, and other technology options are available. Please email [customerservice@datesweiser.com](mailto:customerservice@datesweiser.com) for a custom quote. Consult technical information on [page 274](#) for construction details and technical information.

# Highline Rectangular Conference Table

54"x156"/ 10 - 12 Person

02R54X156



Starting Price: **\$20,026**

54x156 table, veneer Tier 1 top with metal edge, open base, powder coat metal finish

Base Pattern Number: 02R54X156

## Step 1. Top Material

V	Veneer
G	Glass
C	Corian
Q	Caesarstone

## Step 2. Edge Selection

N__	No Edge
L__	Leather Edge
M__	Metal Edge

## Step 3. Base Type

BL	Base Loop	+0
----	-----------	----

## Step 4. Edge Finish

AU__	Spinneybeck Leather: Acqua	+3,319
MC__	Powder Coat	+0
PM01	Polished Chrome	+1,412
PM02	Satin Nickel	+1,412
PM03	Oil Rubbed Bronze	+1,412

## Step 5. Top Finish

T1__	Veneer Tier 1	+0
T2__	Veneer Tier 2	+1,482
GC__	Clear Glass, back painted	+6,385
GE__	Etched matte Glass, back painted	+7,674
CS01	Corian Glacier White	+9,351
QS__	Caesarstone	+24,186

## Step 6. Base Finish

MC__	Powder Coat	+0
PM01	Polished Chrome	+532
PM02	Satin Nickel	+532
PM03	Oil Rubbed Bronze	+1,042

## Step 7. Microphone and/or Grommet Accommodations: Optional

MA__	Microphone hole (factory cut)	Qty __ x 354 each
GM__	2" Grommet Hole (factory cut), liner, lid, in matching metal finish	Qty __ x 466 each

## Step 8. Power & Connectivity Access: Optional

TMHW	Tabletop, Metal lid, Hardwired, Qty 3	+12,390
TMPI	Tabletop, Metal lid, Plug In, Qty 3	+10,557
TMLK	Tabletop, Metal lid, Linkable, Qty 3	+9,006
UMHW	Undermount, Hardwired, Qty 6	+6,744
UMPI	Undermount, Plug In, Qty 6	+4,902
UMLK	Undermount, Linkable, Qty 6	+4,902
SOHW	Undermount Slide-out, Hardwired, Qty 6	+11,748
SOPI	Undermount Slide-out, Plug In, Qty 6	+9,966
SOLK	Undermount Slide-out, Linkable, Qty 6	+9,966

## Wire Management Column (sold separately)

Required with any technology selection

Pattern Number: 02WMC6X6	+250
Pattern Number: 02WMC10X10	+975

## Step 1. Metal Finish for Wire Management Column

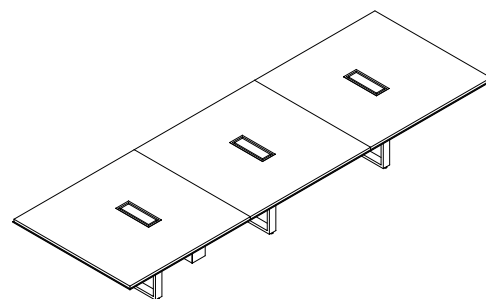
		6x6	10x10
MC__	Powder Coat	+0	+0
PM01	Polished Chrome	+1,175	+536
PM02	Satin Nickel	+1,175	+536
PM03	Oil Rubbed Bronze	+1,759	+2,448

Please consult [page 7](#) for the palette of DatesWeiser finishes. Natural stone, non-standard glass and veneer, and other technology options are available. Please email [customerservice@datesweiser.com](mailto:customerservice@datesweiser.com) for a custom quote. Consult technical information on [page 274](#) for construction details and technical information.

# Highline Rectangular Conference Table

54"x168"/ 12 Person

02R54X168



Starting Price: **\$21,219**

54x168 table, veneer Tier 1 top with metal edge, open base, powder coat metal finish

Base Pattern Number: 02R54X168

## Step 1. Top Material

V	Veneer
G	Glass
C	Corian
Q	Caesarstone

## Step 2. Edge Selection

N__	No Edge
L__	Leather Edge
M__	Metal Edge

## Step 3. Base Type

BL	Base Loop	+0
----	-----------	----

## Step 4. Edge Finish

AU__	Spinneybeck Leather: Acqua	+3,508
MC__	Powder Coat	+0
PM01	Polished Chrome	+2,107
PM02	Satin Nickel	+2,107
PM03	Oil Rubbed Bronze	+2,107

## Step 5. Top Finish

T1__	Veneer Tier 1	+0
T2__	Veneer Tier 2	+1,599
GC__	Clear Glass, back painted	+6,877
GE__	Etched matte Glass, back painted	+8,266
CS01	Corian Glacier White	+10,072
QS__	Caesarstone	+26,048

## Step 6. Base Finish

MC__	Powder Coat	+0
PM01	Polished Chrome	+532
PM02	Satin Nickel	+532
PM03	Oil Rubbed Bronze	+1,042

## Step 7. Microphone and/or Grommet Accommodations: Optional

MA__	Microphone hole (factory cut)	Qty __ x 354 each
GM__	2" Grommet Hole (factory cut), liner, lid, in matching metal finish	Qty __ x 466 each

## Step 8. Power & Connectivity Access: Optional

TMHW	Tabletop, Metal lid, Hardwired, Qty 3	+12,390
TMPI	Tabletop, Metal lid, Plug In, Qty 3	+10,557
TMLK	Tabletop, Metal lid, Linkable, Qty 3	+9,006
UMHW	Undermount, Hardwired, Qty 6	+6,744
UMPI	Undermount, Plug In, Qty 6	+4,902
UMLK	Undermount, Linkable, Qty 6	+4,902
SOHW	Undermount Slide-out, Hardwired, Qty 6	+11,748
SOPI	Undermount Slide-out, Plug In, Qty 6	+9,966
SOLK	Undermount Slide-out, Linkable, Qty 6	+9,966

## Wire Management Column (sold separately)

Required with any technology selection

Pattern Number: 02WMC6X6	+250
Pattern Number: 02WMC10X10	+975

## Step 1. Metal Finish for Wire Management Column

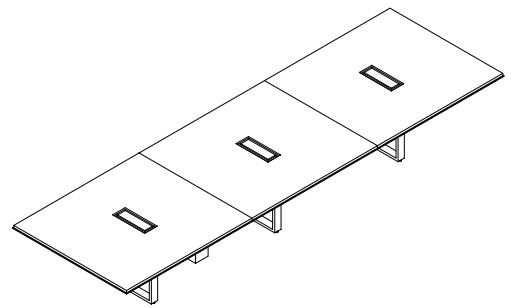
		6x6	10x10
MC__	Powder Coat	+0	+0
PM01	Polished Chrome	+1,175	+536
PM02	Satin Nickel	+1,175	+536
PM03	Oil Rubbed Bronze	+1,759	+2,448

Please consult [page 7](#) for the palette of DatesWeiser finishes. Natural stone, non-standard glass and veneer, and other technology options are available. Please email [customerservice@datesweiser.com](mailto:customerservice@datesweiser.com) for a custom quote. Consult technical information on [page 274](#) for construction details and technical information.

# Highline Rectangular Conference Table

54"x180"/ 14 Person

02R54X180



Starting Price: **\$21,793**

54x180 table, veneer Tier 1 top with metal edge, open base, powder coat metal finish

Base Pattern Number: 02R54X180

## Step 1. Top Material

V	Veneer
G	Glass
C	Corian
Q	Caesarstone

## Step 2. Edge Selection

N__	No Edge
L__	Leather Edge
M__	Metal Edge

## Step 3. Base Type

BL	Base Loop	+0
----	-----------	----

## Step 4. Edge Finish

AU__	Spinneybeck Leather: Acqua	+3,698
MC__	Powder Coat	+0
PM01	Polished Chrome	+2,107
PM02	Satin Nickel	+2,107
PM03	Oil Rubbed Bronze	+2,107

## Step 5. Top Finish

T1__	Veneer Tier 1	+0
T2__	Veneer Tier 2	+1,711
GC__	Clear Glass, back painted	+7,367
GE__	Etched matte Glass, back painted	+8,855
CS01	Corian Glacier White	+10,791
QS__	Caesarstone	+27,908

## Step 6. Base Finish

MC__	Powder Coat	+0
PM01	Polished Chrome	+532
PM02	Satin Nickel	+532
PM03	Oil Rubbed Bronze	+1,042

## Step 7. Microphone and/or Grommet Accommodations: Optional

MA__	Microphone hole (factory cut)	Qty __ x 354 each
GM__	2" Grommet Hole (factory cut), liner, lid, in matching metal finish	Qty __ x 466 each

## Step 8. Power & Connectivity Access: Optional

TMHW	Tabletop, Metal lid, Hardwired, Qty 3	+12,390
TMPI	Tabletop, Metal lid, Plug In, Qty 3	+10,557
TMLK	Tabletop, Metal lid, Linkable, Qty 3	+9,006
UMHW	Undermount, Hardwired, Qty 8	+8,992
UMPI	Undermount, Plug In, Qty 8	+6,536
UMLK	Undermount, Linkable, Qty 8	+6,436
SOHW	Undermount Slide-out, Hardwired, Qty 8	+15,664
SOPI	Undermount Slide-out, Plug In, Qty 8	+13,288
SOLK	Undermount Slide-out, Linkable, Qty 8	+13,288

## Wire Management Column (sold separately)

Required with any technology selection

Pattern Number: 02WMC6X6	+250
Pattern Number: 02WMC10X10	+975

## Step 1. Metal Finish for Wire Management Column

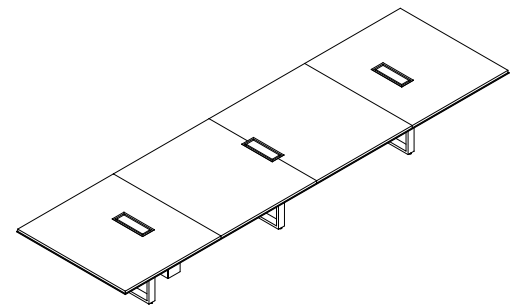
		6x6	10x10
MC__	Powder Coat	+0	+0
PM01	Polished Chrome	+1,175	+536
PM02	Satin Nickel	+1,175	+536
PM03	Oil Rubbed Bronze	+1,759	+2,448

Please consult [page 7](#) for the palette of DatesWeiser finishes. Natural stone, non-standard glass and veneer, and other technology options are available. Please email [customerservice@datesweiser.com](mailto:customerservice@datesweiser.com) for a custom quote. Consult technical information on [page 274](#) for construction details and technical information.

# Highline Rectangular Conference Table

54"x192"/ 14 Person

02R54X192



Starting Price: **\$23,896**

54x192 table, veneer Tier 1 top with metal edge, open base, powder coat metal finish

Base Pattern Number: 02R54X192

## Step 1. Top Material

V	Veneer
G	Glass
C	Corian
Q	Caesarstone

## Step 2. Edge Selection

N__	No Edge
L__	Leather Edge
M__	Metal Edge

## Step 3. Base Type

BL	Base Loop	+0
----	-----------	----

## Step 4. Edge Finish

AU__	Spinneybeck Leather: Acqua	+3,887
MC__	Powder Coat	+0
PM01	Polished Chrome	+2,107
PM02	Satin Nickel	+2,107
PM03	Oil Rubbed Bronze	+2,107

## Step 5. Top Finish

T1__	Veneer Tier 1	+0
T2__	Veneer Tier 2	+1,826
GC__	Clear Glass, back painted	+7,858
GE__	Etched matte Glass, back painted	+9,446
CS01	Corian Glacier White	+11,511
QS__	Caesarstone	+29,767

## Step 6. Base Finish

MC__	Powder Coat	+0
PM01	Polished Chrome	+532
PM02	Satin Nickel	+532
PM03	Oil Rubbed Bronze	+1,042

## Step 7. Microphone and/or Grommet Accommodations: Optional

MA__	Microphone hole (factory cut)	Qty __ x 354 each
GM__	2" Grommet Hole (factory cut), liner, lid, in matching metal finish	Qty __ x 466 each

## Step 8. Power & Connectivity Access: Optional

TMHW	Tabletop, Metal lid, Hardwired, Qty 3	+12,390
TMPI	Tabletop, Metal lid, Plug In, Qty 3	+10,557
TMLK	Tabletop, Metal lid, Linkable, Qty 3	+9,006
UMHW	Undermount, Hardwired, Qty 8	+8,992
UMPI	Undermount, Plug In, Qty 8	+6,536
UMLK	Undermount, Linkable, Qty 8	+6,436
SOHW	Undermount Slide-out, Hardwired, Qty 8	+15,664
SOPI	Undermount Slide-out, Plug In, Qty 8	+13,288
SOLK	Undermount Slide-out, Linkable, Qty 8	+13,288

## Wire Management Column (sold separately)

Required with any technology selection

Pattern Number: 02WMC6X6	+250
Pattern Number: 02WMC10X10	+975

## Step 1. Metal Finish for Wire Management Column

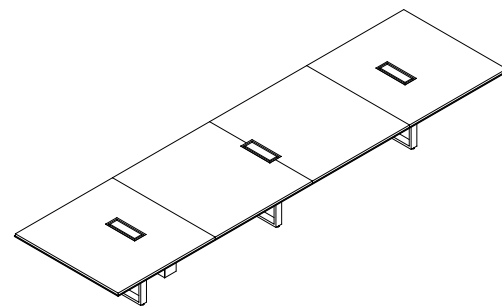
		6x6	10x10
MC__	Powder Coat	+0	+0
PM01	Polished Chrome	+1,175	+536
PM02	Satin Nickel	+1,175	+536
PM03	Oil Rubbed Bronze	+1,759	+2,448

Please consult [page 7](#) for the palette of DatesWeiser finishes. Natural stone, non-standard glass and veneer, and other technology options are available. Please email [customerservice@datesweiser.com](mailto:customerservice@datesweiser.com) for a custom quote. Consult technical information on [page 274](#) for construction details and technical information.

# Highline Rectangular Conference Table

54"x204"/ 14 Person

02R54X204



Starting Price: **\$24,481**

54x204 table, veneer Tier 1 top with metal edge, open base, powder coat metal finish

Base Pattern Number: 02R54X204

## Step 1. Top Material

V	Veneer
G	Glass
C	Corian
Q	Caesarstone

## Step 2. Edge Selection

N__	No Edge
L__	Leather Edge
M__	Metal Edge

## Step 3. Base Type

BL	Base Loop	+0
----	-----------	----

## Step 4. Edge Finish

AU__	Spinneybeck Leather: Acqua	+4,077
MC__	Powder Coat	+0
PM01	Polished Chrome	+2,107
PM02	Satin Nickel	+2,107
PM03	Oil Rubbed Bronze	+2,107

## Step 5. Top Finish

T1__	Veneer Tier 1	+0
T2__	Veneer Tier 2	+1,940
GC__	Clear Glass, back painted	+8,350
GE__	Etched matte Glass, back painted	+10,037
CS01	Corian Glacier White	+12,230
QS__	Caesarstone	+31,628

## Step 6. Base Finish

MC__	Powder Coat	+0
PM01	Polished Chrome	+532
PM02	Satin Nickel	+532
PM03	Oil Rubbed Bronze	+1,042

## Step 7. Microphone and/or Grommet Accommodations: Optional

MA__	Microphone hole (factory cut)	Qty __ x 354 each
GM__	2" Grommet Hole (factory cut), liner, lid, in matching metal finish	Qty __ x 466 each

## Step 8. Power & Connectivity Access: Optional

TMHW	Tabletop, Metal lid, Hardwired, Qty 3	+12,390
TMPI	Tabletop, Metal lid, Plug In, Qty 3	+10,557
TMLK	Tabletop, Metal lid, Linkable, Qty 3	+9,006
UMHW	Undermount, Hardwired, Qty 8	+8,992
UMPI	Undermount, Plug In, Qty 8	+6,536
UMLK	Undermount, Linkable, Qty 8	+6,436
SOHW	Undermount Slide-out, Hardwired, Qty 8	+15,664
SOPI	Undermount Slide-out, Plug In, Qty 8	+13,288
SOLK	Undermount Slide-out, Linkable, Qty 8	+13,288

## Wire Management Column (sold separately)

Required with any technology selection

Pattern Number: 02WMC6X6	+250
Pattern Number: 02WMC10X10	+975

## Step 1. Metal Finish for Wire Management Column

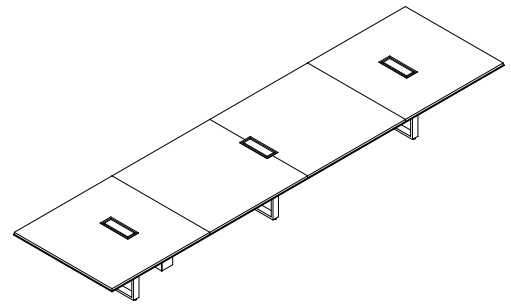
		6x6	10x10
MC__	Powder Coat	+0	+0
PM01	Polished Chrome	+1,175	+536
PM02	Satin Nickel	+1,175	+536
PM03	Oil Rubbed Bronze	+1,759	+2,448

Please consult [page 7](#) for the palette of DatesWeiser finishes. Natural stone, non-standard glass and veneer, and other technology options are available. Please email [customerservice@datesweiser.com](mailto:customerservice@datesweiser.com) for a custom quote. Consult technical information on [page 274](#) for construction details and technical information.

# Highline Rectangular Conference Table

54"x216"/ 16 Person

02R54X216



Starting Price: **\$25,078**

54x216 table, veneer Tier 1 top with metal edge, open base, powder coat metal finish

Base Pattern Number: 02R54X216

## Step 1. Top Material

V	Veneer
G	Glass
C	Corian
Q	Caesarstone

## Step 2. Edge Selection

N__	No Edge
L__	Leather Edge
M__	Metal Edge

## Step 3. Base Type

BL	Base Loop	+0
----	-----------	----

## Step 4. Edge Finish

AU__	Spinneybeck Leather: Acqua	+4,267
MC__	Powder Coat	+0
PM01	Polished Chrome	+ 2,107
PM02	Satin Nickel	+ 2,107
PM03	Oil Rubbed Bronze	+ 2,107

## Step 5. Top Finish

T1__	Veneer Tier 1	+0
T2__	Veneer Tier 2	+2,055
GC__	Clear Glass, back painted	+8,841
GE__	Etched matte Glass, back painted	+10,627
CS01	Corian Glacier White	+12,950
QS__	Caesarstone	+33,489

## Step 6. Base Finish

MC__	Powder Coat	+0
PM01	Polished Chrome	+532
PM02	Satin Nickel	+532
PM03	Oil Rubbed Bronze	+1,042

## Step 7. Microphone and/or Grommet Accommodations: Optional

MA__	Microphone hole (factory cut)	Qty __ x 354 each
GM__	2" Grommet Hole (factory cut), liner, lid, in matching metal finish	Qty __ x 466 each

## Step 8. Power & Connectivity Access: Optional

TMHW	Tabletop, Metal lid, Hardwired, Qty 3	+12,390
TMPI	Tabletop, Metal lid, Plug In, Qty 3	+10,557
TMLK	Tabletop, Metal lid, Linkable, Qty 3	+9,006
UMHW	Undermount, Hardwired, Qty 8	+8,992
UMPI	Undermount, Plug In, Qty 8	+6,536
UMLK	Undermount, Linkable, Qty 8	+6,436
SOHW	Undermount Slide-out, Hardwired, Qty 8	+15,664
SOPI	Undermount Slide-out, Plug In, Qty 8	+13,288
SOLK	Undermount Slide-out, Linkable, Qty 8	+13,288

## Wire Management Column (sold separately)

Required with any technology selection

Pattern Number: 02WMC6X6	+250
Pattern Number: 02WMC10X10	+975

## Step 1. Metal Finish for Wire Management Column

		6x6	10x10
MC__	Powder Coat	+0	+0
PM01	Polished Chrome	+1,175	+536
PM02	Satin Nickel	+1,175	+536
PM03	Oil Rubbed Bronze	+1,759	+2,448

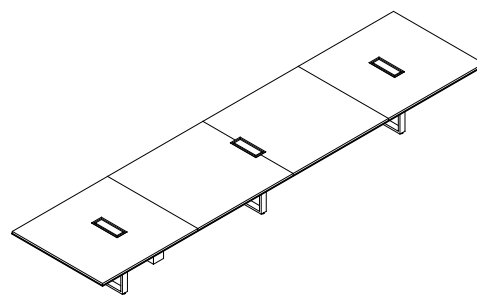
Please consult [page 7](#) for the palette of DatesWeiser finishes. Natural stone, non-standard glass and veneer, and other technology options are available. Please email [customerservice@datesweiser.com](mailto:customerservice@datesweiser.com) for a custom quote. Consult technical information on [page 274](#) for construction details and technical information.



# Highline Rectangular Conference Table

54"x228"/ 16 Person

02R54X228



Starting Price: **\$25,646**

54x228 table, veneer Tier 1 top with metal edge, open base, powder coat metal finish

Base Pattern Number: 02R54X228

## Step 1. Top Material

V	Veneer
G	Glass
C	Corian
Q	Caesarstone

## Step 2. Edge Selection

N__	No Edge
L__	Leather Edge
M__	Metal Edge

## Step 3. Base Type

BL	Base Loop	+0
----	-----------	----

## Step 4. Edge Finish

AU__	Spinneybeck Leather: Acqua	+4,456
MC__	Powder Coat	+0
PM01	Polished Chrome	+ 2,107
PM02	Satin Nickel	+ 2,107
PM03	Oil Rubbed Bronze	+ 2,107

## Step 5. Top Finish

T1__	Veneer Tier 1	+0
T2__	Veneer Tier 2	+2,167
GC__	Clear Glass, back painted	+9,333
GE__	Etched matte Glass, back painted	+11,218
CS01	Corian Glacier White	+13,668
QS__	Caesarstone	+35,350

## Step 6. Base Finish

MC__	Powder Coat	+0
PM01	Polished Chrome	+532
PM02	Satin Nickel	+532
PM03	Oil Rubbed Bronze	+1,042

## Step 7. Microphone and/or Grommet Accommodations: Optional

MA__	Microphone hole (factory cut)	Qty __ x 354 each
GM__	2" Grommet Hole (factory cut), liner, lid, in matching metal finish	Qty __ x 466 each

## Step 8. Power & Connectivity Access: Optional

TMHW	Tabletop, Metal lid, Hardwired, Qty 3	+12,390
TMPI	Tabletop, Metal lid, Plug In, Qty 3	+10,557
TMLK	Tabletop, Metal lid, Linkable, Qty 3	+9,006
UMHW	Undermount, Hardwired, Qty 8	+8,992
UMPI	Undermount, Plug In, Qty 8	+6,536
UMLK	Undermount, Linkable, Qty 8	+6,436
SOHW	Undermount Slide-out, Hardwired, Qty 8	+15,664
SOPI	Undermount Slide-out, Plug In, Qty 8	+13,288
SOLK	Undermount Slide-out, Linkable, Qty 8	+13,288

## Wire Management Column (sold separately)

Required with any technology selection

Pattern Number: 02WMC6X6	+250
Pattern Number: 02WMC10X10	+975

## Step 1. Metal Finish for Wire Management Column

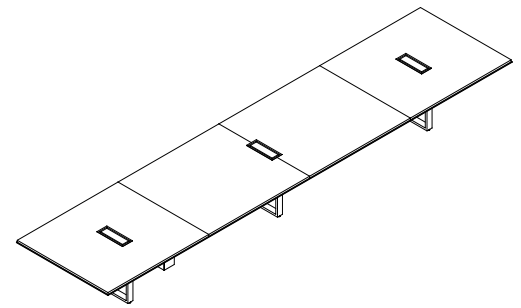
		6x6	10x10
MC__	Powder Coat	+0	+0
PM01	Polished Chrome	+1,175	+536
PM02	Satin Nickel	+1,175	+536
PM03	Oil Rubbed Bronze	+1,759	+2,448

Please consult [page 7](#) for the palette of DatesWeiser finishes. Natural stone, non-standard glass and veneer, and other technology options are available. Please email [customerservice@datesweiser.com](mailto:customerservice@datesweiser.com) for a custom quote. Consult technical information on [page 274](#) for construction details and technical information.

# Highline Rectangular Conference Table

54"x240"/ 18 Person

02R54X240



Starting Price: **\$26,237**

54x240 table, veneer Tier 1 top with metal edge, open base, powder coat metal finish

Base Pattern Number: 02R54X240

## Step 1. Top Material

V	Veneer
G	Glass
C	Corian
Q	Caesarstone

## Step 2. Edge Selection

N__	No Edge
L__	Leather Edge
M__	Metal Edge

## Step 3. Base Type

BL	Base Loop	+0
----	-----------	----

## Step 4. Edge Finish

AU__	Spinneybeck Leather: Acqua	+4,646
MC__	Powder Coat	+0
PM01	Polished Chrome	+2,107
PM02	Satin Nickel	+2,107
PM03	Oil Rubbed Bronze	+2,107

## Step 5. Top Finish

T1__	Veneer Tier 1	+0
T2__	Veneer Tier 2	+2,282
GC__	Clear Glass, back painted	+9,823
GE__	Etched matte Glass, back painted	+11,808
CS01	Corian Glacier White	+14,388
QS__	Caesarstone	+37,209

## Step 6. Base Finish

MC__	Powder Coat	+0
PM01	Polished Chrome	+532
PM02	Satin Nickel	+532
PM03	Oil Rubbed Bronze	+1,042

## Step 7. Microphone and/or Grommet Accommodations: Optional

MA__	Microphone hole (factory cut)	Qty __ x 354 each
GM__	2" Grommet Hole (factory cut), liner, lid, in matching metal finish	Qty __ x 466 each

## Step 8. Power & Connectivity Access: Optional

TMHW	Tabletop, Metal lid, Hardwired, Qty 3	+12,390
TMPI	Tabletop, Metal lid, Plug In, Qty 3	+10,557
TMLK	Tabletop, Metal lid, Linkable, Qty 3	+9,006
UMHW	Undermount, Hardwired, Qty 10	+11,240
UMPI	Undermount, Plug In, Qty 10	+8,170
UMLK	Undermount, Linkable, Qty 10	+8,170
SOHW	Undermount Slide-out, Hardwired, Qty 10	+19,580
SOPI	Undermount Slide-out, Plug In, Qty 10	+16,610
SOLK	Undermount Slide-out, Linkable, Qty 10	+16,610

## Wire Management Column (sold separately)

Required with any technology selection

Pattern Number: 02WMC6X6	+250
Pattern Number: 02WMC10X10	+975

## Step 1. Metal Finish for Wire Management Column

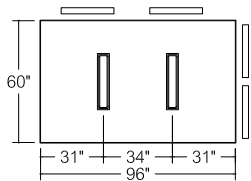
		6x6	10x10
MC__	Powder Coat	+0	+0
PM01	Polished Chrome	+1,175	+536
PM02	Satin Nickel	+1,175	+536
PM03	Oil Rubbed Bronze	+1,759	+2,448

Please consult [page 7](#) for the palette of DatesWeiser finishes. Natural stone, non-standard glass and veneer, and other technology options are available. Please email [customerservice@datesweiser.com](mailto:customerservice@datesweiser.com) for a custom quote. Consult technical information on [page 274](#) for construction details and technical information.

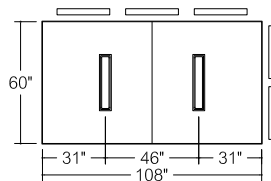


# Highline Rectangular Conference Tables Index

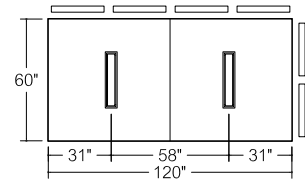
60" width



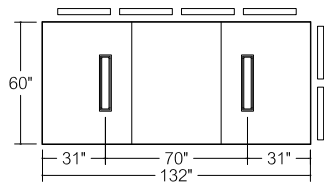
**02R60X96**  
8 Person Table



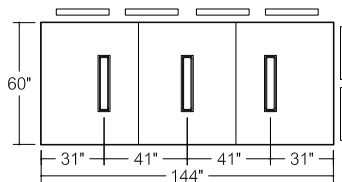
**02R60X108**  
10 Person Table



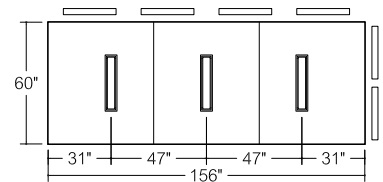
**02R60X120**  
12 Person Table



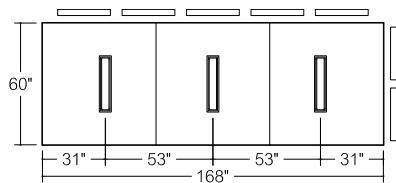
**02R60X132**  
12 Person Table



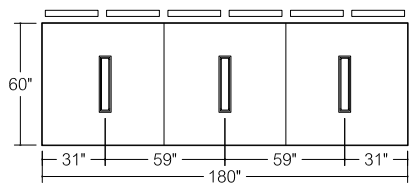
**02R60X144**  
12 Person Table



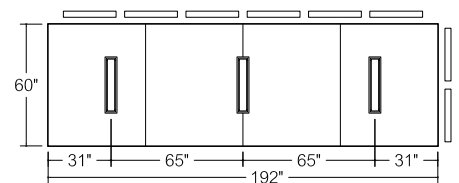
**02R60X156**  
12 Person Table



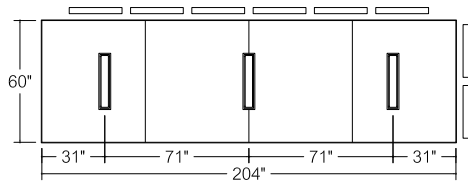
**02R60X168**  
14 Person Table



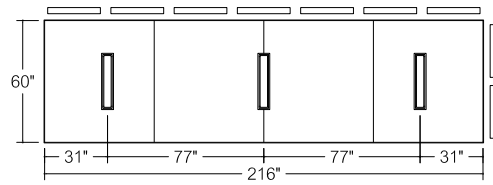
**02R60X180**  
16 Person Table



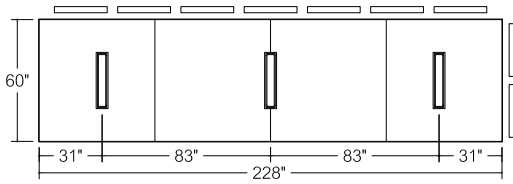
**02R60X192**  
16 Person Table



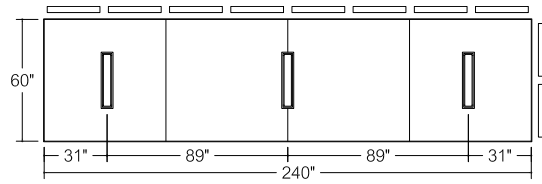
02R60X204  
16 Person Table



02R60X216  
18 Person Table



02R60X228  
18 Person Table

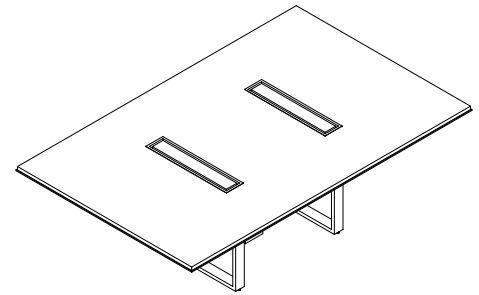


02R60X240  
20 Person Table

# Highline Rectangular Conference Table

60"x96" / 8 Person

02R60X96



Starting Price: **\$13,419**

60x96 table, veneer Tier 1 top with metal edge, open base, powder coat metal finish

Base Pattern Number: 02R60X96

## Step 1. Top Material

V	Veneer
G	Glass
C	Corian
Q	Caesarstone

## Step 2. Edge Selection

N__	No Edge
L__	Leather Edge
M__	Metal Edge

## Step 3. Base Type

BL	Base Loop	+0
----	-----------	----

## Step 4. Edge Finish

AU__	Spinneybeck Leather: Acqua	+2,465
MC__	Powder Coat	+0
PM01	Polished Chrome	+1,256
PM02	Satin Nickel	+1,256
PM03	Oil Rubbed Bronze	+1,256

## Step 5. Top Finish

T1__	Veneer Tier 1	+0
T2__	Veneer Tier 2	+1,014
GC__	Clear Glass, back painted	+4,366
GE__	Etched matte Glass, back painted	+5,248
CS01	Corian Glacier White	+6,395
QS__	Caesarstone	+16,538

## Step 6. Base Finish

MC__	Powder Coat	+0
PM01	Polished Chrome	+337
PM02	Satin Nickel	+337
PM03	Oil Rubbed Bronze	+1,164

## Step 7. Microphone and/or Grommet Accommodations: Optional

MA__	Microphone hole (factory cut)	Qty __ x 354 each
GM__	2" Grommet Hole (factory cut), liner, lid, in matching metal finish	Qty __ x 466 each

## Step 8. Power & Connectivity Access: Optional

TMHW	Tabletop, Metal lid, Hardwired, Qty 2	+10,490
TMPI	Tabletop, Metal lid, Plug In, Qty 2	+9,264
TMLK	Tabletop, Metal lid, Linkable, Qty 2	+9,264
UMHW	Undermount, Hardwired, Qty 4	+4,496
UMPI	Undermount, Plug In, Qty 4	+3,268
UMLK	Undermount, Linkable, Qty 4	+3,268
SOHW	Undermount Slide-out, Hardwired, Qty 4	+7,832
SOPI	Undermount Slide-out, Plug In, Qty 4	+6,644
SOLK	Undermount Slide-out, Linkable, Qty 4	+6,644

## Wire Management Column (sold separately)

Required with any technology selection

Pattern Number: 02WMC6X6	+250
Pattern Number: 02WMC10X10	+975

## Step 1. Metal Finish for Wire Management Column

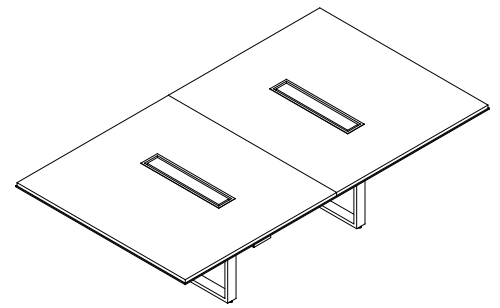
		6x6	10x10
MC__	Powder Coat	+0	+0
PM01	Polished Chrome	+1,175	+536
PM02	Satin Nickel	+1,175	+536
PM03	Oil Rubbed Bronze	+1,759	+2,448

Please consult [page 7](#) for the palette of DatesWeiser finishes. Natural stone, non-standard glass and veneer, and other technology options are available. Please email [customerservice@datesweiser.com](mailto:customerservice@datesweiser.com) for a custom quote. Consult technical information on [page 274](#) for construction details and technical information.

# Highline Rectangular Conference Table

60"x108"/ 10 Person

02R60X108



Starting Price: **\$14,456**

60x108 table, veneer Tier 1 top with metal edge, open base, powder coat metal finish

Base Pattern Number: 02R60X108

## Step 1. Top Material

V	Veneer
G	Glass
C	Corian
Q	Caesarstone

## Step 2. Edge Selection

N__	No Edge
L__	Leather Edge
M__	Metal Edge

## Step 3. Base Type

BL	Base Loop	+0
----	-----------	----

## Step 4. Edge Finish

AU__	Spinneybeck Leather: Acqua	+2,654
MC__	Powder Coat	+0
PM01	Polished Chrome	+1,256
PM02	Satin Nickel	+1,256
PM03	Oil Rubbed Bronze	+1,256

## Step 5. Top Finish

T1__	Veneer Tier 1	+0
T2__	Veneer Tier 2	+1,141
GC__	Clear Glass, back painted	+4,911
GE__	Etched matte Glass, back painted	+5,904
CS01	Corian Glacier White	+7,194
QS__	Caesarstone	+18,604

## Step 5. Base Finish

MC__	Powder Coat	+0
PM01	Polished Chrome	+337
PM02	Satin Nickel	+337
PM03	Oil Rubbed Bronze	+1,164

## Step 7. Microphone and/or Grommet Accommodations: Optional

MA__	Microphone hole (factory cut)	Qty __ x 354 each
GM__	2" Grommet Hole (factory cut), liner, lid, in matching metal finish	Qty __ x 466 each

## Step 8. Power & Connectivity Access: Optional

TMHW	Tabletop, Metal lid, Hardwired, Qty 2	+10,490
TMPI	Tabletop, Metal lid, Plug In, Qty 2	+9,264
TMLK	Tabletop, Metal lid, Linkable, Qty 2	+9,264
UMHW	Undermount, Hardwired, Qty 4	+4,496
UMPI	Undermount, Plug In, Qty 4	+3,268
UMLK	Undermount, Linkable, Qty 4	+3,268
SOHW	Undermount Slide-out, Hardwired, Qty 4	+7,832
SOPI	Undermount Slide-out, Plug In, Qty 4	+6,644
SOLK	Undermount Slide-out, Linkable, Qty 4	+6,644

## Wire Management Column (sold separately)

Required with any technology selection

Pattern Number: 02WMC6X6	+250
Pattern Number: 02WMC10X10	+975

## Step 1. Metal Finish for Wire Management Column

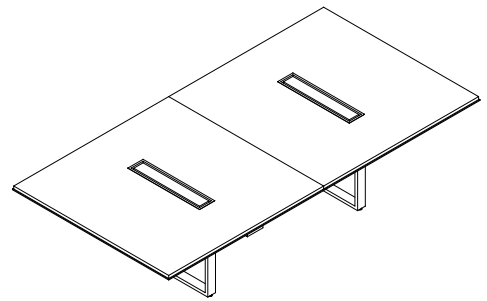
		6x6	10x10
MC__	Powder Coat	+0	+0
PM01	Polished Chrome	+1,175	+536
PM02	Satin Nickel	+1,175	+536
PM03	Oil Rubbed Bronze	+1,759	+2,448

Please consult [page 7](#) for the palette of DatesWeiser finishes. Natural stone, non-standard glass and veneer, and other technology options are available. Please email [customerservice@datesweiser.com](mailto:customerservice@datesweiser.com) for a custom quote. Consult technical information on [page 274](#) for construction details and technical information.

# Highline Rectangular Conference Table

60"x120"/ 12 Person

02R60X120



Starting Price: **\$15,425**

60x120 table, veneer Tier 1 top with metal edge, open base, powder coat metal finish

Base Pattern Number: 02R60X120

## Step 1. Top Material

V	Veneer
G	Glass
C	Corian
Q	Caesarstone

## Step 2. Edge Selection

N__	No Edge
L__	Leather Edge
M__	Metal Edge

## Step 3. Base Type

BL	Base Loop	+0
----	-----------	----

## Step 4. Edge Finish

AU__	Spinneybeck Leather: Acqua	+2,844
MC__	Powder Coat	+0
PM01	Polished Chrome	+1,256
PM02	Satin Nickel	+1,256
PM03	Oil Rubbed Bronze	+1,256

## Step 5. Top Finish

T1__	Veneer Tier 1	+0
T2__	Veneer Tier 2	+1,267
GC__	Clear Glass, back painted	+5,456
GE__	Etched matte Glass, back painted	+6,559
CS01	Corian Glacier White	+7,992
QS__	Caesarstone	+20,671

## Step 6. Base Finish

MC__	Powder Coat	+0
PM01	Polished Chrome	+337
PM02	Satin Nickel	+337
PM03	Oil Rubbed Bronze	+1,164

## Step 7. Microphone and/or Grommet Accommodations: Optional

MA__	Microphone hole (factory cut)	Qty __ x 354 each
GM__	2" Grommet Hole (factory cut), liner, lid, in matching metal finish	Qty __ x 466 each

## Step 8. Power & Connectivity Access: Optional

TMHW	Tabletop, Metal lid, Hardwired, Qty 2	+10,490
TMPI	Tabletop, Metal lid, Plug In, Qty 2	+9,264
TMLK	Tabletop, Metal lid, Linkable, Qty 2	+9,264
UMHW	Undermount, Hardwired, Qty 6	+6,744
UMPI	Undermount, Plug In, Qty 6	+4,902
UMLK	Undermount, Linkable, Qty 6	+4,902
SOHW	Undermount Slide-out, Hardwired, Qty 6	+11,748
SOPI	Undermount Slide-out, Plug In, Qty 6	+9,966
SOLK	Undermount Slide-out, Linkable, Qty 6	+9,966

## Wire Management Column (sold separately)

Required with any technology selection

Pattern Number: 02WMC6X6	+250
Pattern Number: 02WMC10X10	+975

## Step 1. Metal Finish for Wire Management Column

		6x6	10x10
MC__	Powder Coat	+0	+0
PM01	Polished Chrome	+1,175	+536
PM02	Satin Nickel	+1,175	+536
PM03	Oil Rubbed Bronze	+1,759	+2,448

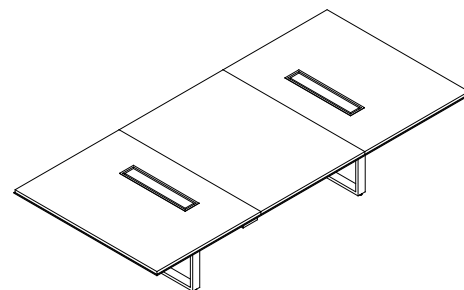
Please consult [page 7](#) for the palette of DatesWeiser finishes. Natural stone, non-standard glass and veneer, and other technology options are available. Please email [customerservice@datesweiser.com](mailto:customerservice@datesweiser.com) for a custom quote. Consult technical information on [page 274](#) for construction details and technical information.



# Highline Rectangular Conference Table

60"x132"/ 12 Person

02R60X132



Starting Price: **\$18,347**

60x132 table, veneer Tier 1 top with metal edge, open base, powder coat metal finish

Base Pattern Number: 02R60X132

## Step 1. Top Material

V	Veneer
G	Glass
C	Corian
Q	Caesarstone

## Step 2. Edge Selection

N__	No Edge
L__	Leather Edge
M__	Metal Edge

## Step 3. Base Type

BL	Base Loop	+0
----	-----------	----

## Step 4. Edge Finish

AU__	Spinneybeck Leather: Acqua	+3,035
MC__	Powder Coat	+0
PM01	Polished Chrome	+1,432
PM02	Satin Nickel	+1,432
PM03	Oil Rubbed Bronze	+1,432

## Step 5. Top Finish

T1__	Veneer Tier 1	+0
T2__	Veneer Tier 2	+1,394
GC__	Clear Glass, back painted	+6,003
GE__	Etched matte Glass, back painted	+7,215
CS01	Corian Glacier White	+8,792
QS__	Caesarstone	+22,738

## Step 6. Base Finish

MC__	Powder Coat	+0
PM01	Polished Chrome	+337
PM02	Satin Nickel	+337
PM03	Oil Rubbed Bronze	+1,164

## Step 7. Microphone and/or Grommet Accommodations: Optional

MA__	Microphone hole (factory cut)	Qty __ x 354 each
GM__	2" Grommet Hole (factory cut), liner, lid, in matching metal finish	Qty __ x 466 each

## Step 8. Power & Connectivity Access: Optional

TMHW	Tabletop, Metal lid, Hardwired, Qty 2	+10,490
TMPI	Tabletop, Metal lid, Plug In, Qty 2	+9,264
TMLK	Tabletop, Metal lid, Linkable, Qty 2	+9,264
UMHW	Undermount, Hardwired, Qty 6	+6,744
UMPI	Undermount, Plug In, Qty 6	+4,902
UMLK	Undermount, Linkable, Qty 6	+4,902
SOHW	Undermount Slide-out, Hardwired, Qty 6	+11,748
SOPI	Undermount Slide-out, Plug In, Qty 6	+9,966
SOLK	Undermount Slide-out, Linkable, Qty 6	+9,966

## Wire Management Column (sold separately)

Required with any technology selection

Pattern Number: 02WMC6X6	+250
Pattern Number: 02WMC10X10	+975

## Step 1. Metal Finish for Wire Management Column

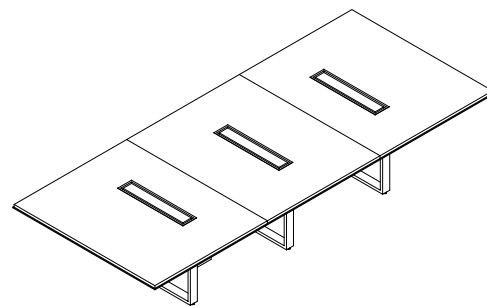
		6x6	10x10
MC__	Powder Coat	+0	+0
PM01	Polished Chrome	+1,175	+536
PM02	Satin Nickel	+1,175	+536
PM03	Oil Rubbed Bronze	+1,759	+2,448

Please consult [page 7](#) for the palette of DatesWeiser finishes. Natural stone, non-standard glass and veneer, and other technology options are available. Please email [customerservice@datesweiser.com](mailto:customerservice@datesweiser.com) for a custom quote. Consult technical information on [page 274](#) for construction details and technical information.

# Highline Rectangular Conference Table

60"x144"/ 12 Person

02R60X144



Starting Price: **\$20,249**

60x144 table, veneer Tier 1 top with metal edge, open base, powder coat metal finish

Base Pattern Number: 02R60X144

## Step 1. Top Material

V	Veneer
G	Glass
C	Corian
Q	Caesarstone

## Step 2. Edge Selection

N__	No Edge
L__	Leather Edge
M__	Metal Edge

## Step 3. Base Type

BL	Base Loop	+0
----	-----------	----

## Step 4. Edge Finish

AU__	Spinneybeck Leather: Acqua	+3,224
MC__	Powder Coat	+0
PM01	Polished Chrome	+1,432
PM02	Satin Nickel	+1,432
PM03	Oil Rubbed Bronze	+1,432

## Step 5. Top Finish

T1__	Veneer Tier 1	+0
T2__	Veneer Tier 2	+1,522
GC__	Clear Glass, back painted	+6,549
GE__	Etched matte Glass, back painted	+7,872
CS01	Corian Glacier White	+9,592
QS__	Caesarstone	+24,807

## Step 6. Base Finish

MC__	Powder Coat	+0
PM01	Polished Chrome	+506
PM02	Satin Nickel	+506
PM03	Oil Rubbed Bronze	+1,746

## Step 7. Microphone and/or Grommet Accommodations: Optional

MA__	Microphone hole (factory cut)	Qty __ x 354 each
GM__	2" Grommet Hole (factory cut), liner, lid, in matching metal finish	Qty __ x 466 each

## Step 8. Power & Connectivity Access: Optional

TMHW	Tabletop, Metal lid, Hardwired, Qty 3	+15,735
TMPI	Tabletop, Metal lid, Plug In, Qty 3	+13,896
TMLK	Tabletop, Metal lid, Linkable, Qty 3	+13,896
UMHW	Undermount, Hardwired, Qty 6	+6,744
UMPI	Undermount, Plug In, Qty 6	+4,902
UMLK	Undermount, Linkable, Qty 6	+4,902
SOHW	Undermount Slide-out, Hardwired, Qty 6	+11,748
SOPI	Undermount Slide-out, Plug In, Qty 6	+9,966
SOLK	Undermount Slide-out, Linkable, Qty 6	+9,966

## Wire Management Column (sold separately)

Required with any technology selection

Pattern Number: 02WMC6X6	+250
Pattern Number: 02WMC10X10	+975

## Step 1. Metal Finish for Wire Management Column

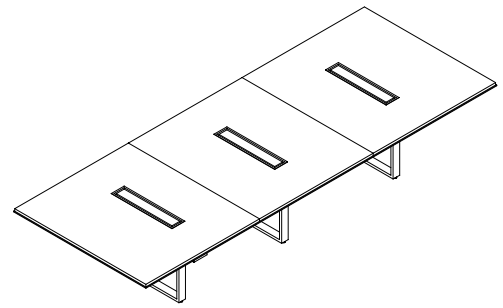
		6x6	10x10
MC__	Powder Coat	+0	+0
PM01	Polished Chrome	+1,175	+536
PM02	Satin Nickel	+1,175	+536
PM03	Oil Rubbed Bronze	+1,759	+2,448

Please consult [page 7](#) for the palette of DatesWeiser finishes. Natural stone, non-standard glass and veneer, and other technology options are available. Please email [customerservice@datesweiser.com](mailto:customerservice@datesweiser.com) for a custom quote. Consult technical information on [page 274](#) for construction details and technical information.

# Highline Rectangular Conference Table

60"x156"/ 12 Person

02R60X156



Starting Price: **\$21,081**

60x156 table, veneer Tier 1 top with metal edge, open base, powder coat metal finish

Base Pattern Number: 02R60X156

## Step 1. Top Material

V	Veneer
G	Glass
C	Corian
Q	Caesarstone

## Step 2. Edge Selection

N__	No Edge
L__	Leather Edge
M__	Metal Edge

## Step 3. Base Type

BL	Base Loop	+0
----	-----------	----

## Step 4. Edge Finish

N__	No Edge	+0
AU__	Spinneybeck Leather: Acqua	+3,414
MC__	Powder Coat	+0
PM01	Polished Chrome	+1,432
PM02	Satin Nickel	+1,432
PM03	Oil Rubbed Bronze	+1,432

## Step 5. Top Finish

T1__	Veneer Tier 1	+0
T2__	Veneer Tier 2	+1,648
GC__	Clear Glass, back painted	+7,095
GE__	Etched matte Glass, back painted	+8,528
CS01	Corian Glacier White	+10,391
QS__	Caesarstone	+26,874

## Step 6. Base Finish

MC__	Powder Coat	+0
PM01	Polished Chrome	+506
PM02	Satin Nickel	+506
PM03	Oil Rubbed Bronze	+1,746

## Step 7. Microphone and/or Grommet Accommodations: Optional

MA__	Microphone hole (factory cut)	Qty __ x 354 each
GM__	2" Grommet Hole (factory cut), liner, lid, in matching metal finish	Qty __ x 466 each

## Step 8. Power & Connectivity Access: Optional

TMHW	Tabletop, Metal lid, Hardwired, Qty 3	+15,735
TMPI	Tabletop, Metal lid, Plug In, Qty 3	+13,896
TMLK	Tabletop, Metal lid, Linkable, Qty 3	+13,896
UMHW	Undermount, Hardwired, Qty 6	+6,744
UMPI	Undermount, Plug In, Qty 6	+4,902
UMLK	Undermount, Linkable, Qty 6	+4,902
SOHW	Undermount Slide-out, Hardwired, Qty 6	+11,748
SOPI	Undermount Slide-out, Plug In, Qty 6	+9,966
SOLK	Undermount Slide-out, Linkable, Qty 6	+9,966

## Wire Management Column (sold separately)

Required with any technology selection

Pattern Number: 02WMC6X6	+250
Pattern Number: 02WMC10X10	+975

## Step 1. Metal Finish for Wire Management Column

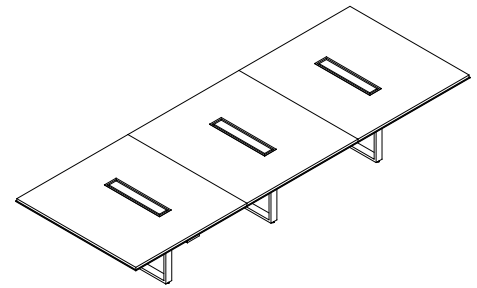
		6x6	10x10
MC__	Powder Coat	+0	+0
PM01	Polished Chrome	+1,175	+536
PM02	Satin Nickel	+1,175	+536
PM03	Oil Rubbed Bronze	+1,759	+2,448

Please consult [page 7](#) for the palette of DatesWeiser finishes. Natural stone, non-standard glass and veneer, and other technology options are available. Please email [customerservice@datesweiser.com](mailto:customerservice@datesweiser.com) for a custom quote. Consult technical information on [page 274](#) for construction details and technical information.

# Highline Rectangular Conference Table

60"x168"/ 14 Person

02R60X168



Starting Price: **\$22,446**

60x168 table, veneer Tier 1 top with metal edge, open base, powder coat metal finish

Base Pattern Number: 02R60X168

## Step 1. Top Material

V	Veneer
G	Glass
C	Corian
Q	Caesarstone

## Step 2. Edge Selection

N__	No Edge
L__	Leather Edge
M__	Metal Edge

## Step 3. Base Type

BL	Base Loop	+0
----	-----------	----

## Step 4. Edge Finish

AU__	Spinneybeck Leather: Acqua	+3,603
MC__	Powder Coat	+0
PM01	Polished Chrome	+2,117
PM02	Satin Nickel	+2,117
PM03	Oil Rubbed Bronze	+2,117

## Step 5. Top Finish

T1__	Veneer Tier 1	+0
T2__	Veneer Tier 2	+1,774
GC__	Clear Glass, back painted	+7,640
GE__	Etched matte Glass, back painted	+9,183
CS01	Corian Glacier White	+11,190
QS__	Caesarstone	+28,940

## Step 6. Base Finish

MC__	Powder Coat	+0
PM01	Polished Chrome	+506
PM02	Satin Nickel	+506
PM03	Oil Rubbed Bronze	+1,746

## Step 7. Microphone and/or Grommet Accommodations: Optional

MA__	Microphone hole (factory cut)	Qty __ x 354 each
GM__	2" Grommet Hole (factory cut), liner, lid, in matching metal finish	Qty __ x 466 each

## Step 8. Power & Connectivity Access: Optional

TMHW	Tabletop, Metal lid, Hardwired, Qty 3	+15,735
TMPI	Tabletop, Metal lid, Plug In, Qty 3	+13,896
TMLK	Tabletop, Metal lid, Linkable, Qty 3	+13,896
UMHW	Undermount, Hardwired, Qty 6	+6,744
UMPI	Undermount, Plug In, Qty 6	+4,902
UMLK	Undermount, Linkable, Qty 6	+4,902
SOHW	Undermount Slide-out, Hardwired, Qty 6	+11,748
SOPI	Undermount Slide-out, Plug In, Qty 6	+9,966
SOLK	Undermount Slide-out, Linkable, Qty 6	+9,966

## Wire Management Column (sold separately)

Required with any technology selection

Pattern Number: 02WMC6X6	+250
Pattern Number: 02WMC10X10	+975

## Step 1. Metal Finish for Wire Management Column

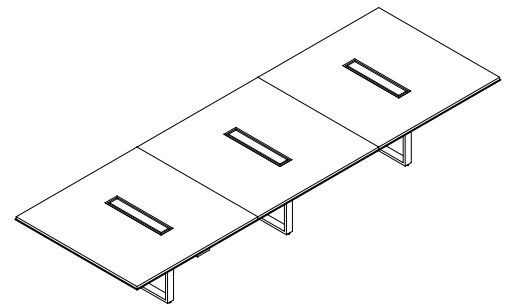
		6x6	10x10
MC__	Powder Coat	+0	+0
PM01	Polished Chrome	+1,175	+536
PM02	Satin Nickel	+1,175	+536
PM03	Oil Rubbed Bronze	+1,759	+2,448

Please consult [page 7](#) for the palette of DatesWeiser finishes. Natural stone, non-standard glass and veneer, and other technology options are available. Please email [customerservice@datesweiser.com](mailto:customerservice@datesweiser.com) for a custom quote. Consult technical information on [page 274](#) for construction details and technical information.

# Highline Rectangular Conference Table

60"x180"/ 16 Person

02R60X180



Starting Price: **\$23,370**

60x180 table, veneer Tier 1 top with metal edge, open base, powder coat metal finish

Base Pattern Number: 02R60X180

## Step 1. Top Material

V	Veneer
G	Glass
C	Corian
Q	Caesarstone

## Step 2. Edge Selection

N__	No Edge
L__	Leather Edge
M__	Metal Edge

## Step 3. Base Type

BL	Base Loop	+0
----	-----------	----

## Step 4. Edge Finish

AU__	Spinneybeck Leather: Acqua	+3,793
MC__	Powder Coat	+0
PM01	Polished Chrome	+2,117
PM02	Satin Nickel	+2,117
PM03	Oil Rubbed Bronze	+2,117

## Step 5. Top Finish

T1__	Veneer Tier 1	+0
T2__	Veneer Tier 2	+1,901
GC__	Clear Glass, back painted	+8,186
GE__	Etched matte Glass, back painted	+9,839
CS01	Corian Glacier White	+11,990
QS__	Caesarstone*	+31,007

## Step 6. Base Finish

MC__	Powder Coat	+0
PM01	Polished Chrome	+506
PM02	Satin Nickel	+506
PM03	Oil Rubbed Bronze	+1,746

## Step 7. Microphone and/or Grommet Accommodations: Optional

MA__	Microphone hole (factory cut)	Qty __ x 354 each
GM__	2" Grommet Hole (factory cut), liner, lid, in matching metal finish	Qty __ x 466 each

## Step 8. Power & Connectivity Access: Optional

TMHW	Tabletop, Metal lid, Hardwired, Qty 3	+15,735
TMPI	Tabletop, Metal lid, Plug In, Qty 3	+13,896
TMLK	Tabletop, Metal lid, Linkable, Qty 3	+13,896
UMHW	Undermount, Hardwired, Qty 8	+8,992
UMPI	Undermount, Plug In, Qty 8	+6,536
UMLK	Undermount, Linkable, Qty 8	+6,436
SOHW	Undermount Slide-out, Hardwired, Qty 8	+15,664
SOPI	Undermount Slide-out, Plug In, Qty 8	+13,288
SOLK	Undermount Slide-out, Linkable, Qty 8	+13,288

## Wire Management Column (sold separately)

Required with any technology selection

Pattern Number: 02WMC6X6	+250
Pattern Number: 02WMC10X10	+975

## Step 1. Metal Finish for Wire Management Column

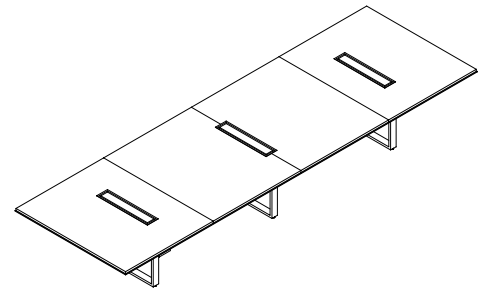
		6x6	10x10
MC__	Powder Coat	+0	+0
PM01	Polished Chrome	+1,175	+536
PM02	Satin Nickel	+1,175	+536
PM03	Oil Rubbed Bronze	+1,759	+2,448

Please consult [page 7](#) for the palette of DatesWeiser finishes. Natural stone, non-standard glass and veneer, and other technology options are available. Please email [customerservice@datesweiser.com](mailto:customerservice@datesweiser.com) for a custom quote. Consult technical information on [page 274](#) for construction details and technical information.

# Highline Rectangular Conference Table

60"x192"/ 16 Person

02R60X192



Starting Price: **\$24,438**

60x192 table, veneer Tier 1 top with metal edge, open base, powder coat metal finish

Base Pattern Number: 02R60X192

## Step 1. Top Material

V	Veneer
G	Glass
C	Corian
Q	Caesarstone

## Step 2. Edge Selection

N__	No Edge
L__	Leather Edge
M__	Metal Edge

## Step 3. Base Type

BL	Base Loop	+0
----	-----------	----

## Step 4. Edge Finish

AU__	Spinneybeck Leather: Acqua	+3,983
MC__	Powder Coat	+0
PM01	Polished Chrome	+2,117
PM02	Satin Nickel	+2,117
PM03	Oil Rubbed Bronze	+2,117

## Step 5. Top Finish

T1__	Veneer Tier 1	+0
T2__	Veneer Tier 2	+2,028
GC__	Clear Glass, back painted	+8,732
GE__	Etched matte Glass, back painted	+10,496
CS01	Corian Glacier White	+12,789
QS__	Caesarstone	+33,075

## Step 6. Base Finish

MC__	Powder Coat	+0
PM01	Polished Chrome	+506
PM02	Satin Nickel	+506
PM03	Oil Rubbed Bronze	+1,746

## Step 7. Microphone and/or Grommet Accommodations: Optional

MA__	Microphone hole (factory cut)	Qty __ x 354 each
GM__	2" Grommet Hole (factory cut), liner, lid, in matching metal finish	Qty __ x 466 each

## Step 8. Power & Connectivity Access: Optional

TMHW	Tabletop, Metal lid, Hardwired, Qty 3	+15,735
TMPI	Tabletop, Metal lid, Plug In, Qty 3	+13,896
TMLK	Tabletop, Metal lid, Linkable, Qty 3	+13,896
UMHW	Undermount, Hardwired, Qty 8	+8,992
UMPI	Undermount, Plug In, Qty 8	+6,536
UMLK	Undermount, Linkable, Qty 8	+6,436
SOHW	Undermount Slide-out, Hardwired, Qty 8	+15,664
SOPI	Undermount Slide-out, Plug In, Qty 8	+13,288
SOLK	Undermount Slide-out, Linkable, Qty 8	+13,288

## Wire Management Column (sold separately)

Required with any technology selection

Pattern Number: 02WMC6X6	+250
Pattern Number: 02WMC10X10	+975

## Step 1. Metal Finish for Wire Management Column

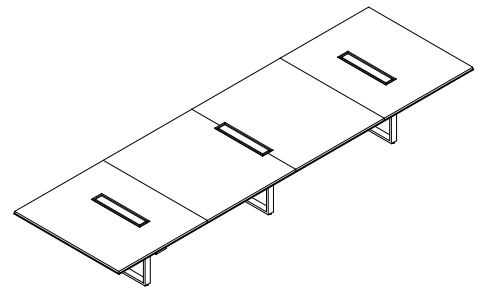
		6x6	10x10
MC__	Powder Coat	+0	+0
PM01	Polished Chrome	+1,175	+536
PM02	Satin Nickel	+1,175	+536
PM03	Oil Rubbed Bronze	+1,759	+2,448

Please consult [page 7](#) for the palette of DatesWeiser finishes. Natural stone, non-standard glass and veneer, and other technology options are available. Please email [customerservice@datesweiser.com](mailto:customerservice@datesweiser.com) for a custom quote. Consult technical information on [page 274](#) for construction details and technical information.

# Highline Rectangular Conference Table

60"x204"/ 16 Person

02R60X204



Starting Price: **\$25,488**

60x204 table, veneer Tier 1 top with metal edge, open base, powder coat metal finish

Base Pattern Number: 02R60X204

## Step 1. Top Material

V	Veneer
G	Glass
C	Corian
Q	Caesarstone

## Step 2. Edge Selection

N__	No Edge
L__	Leather Edge
M__	Metal Edge

## Step 3. Base Type

BL	Base Loop	+0
----	-----------	----

## Step 4. Edge Finish

AU__	Spinneybeck Leather: Acqua	+4,172
MC__	Powder Coat	+0
PM01	Polished Chrome	+2,117
PM02	Satin Nickel	+2,117
PM03	Oil Rubbed Bronze	+2,117

## Step 5. Top Finish

T1__	Veneer Tier 1	+0
T2__	Veneer Tier 2	+2,155
GC__	Clear Glass, back painted	+9,278
GE__	Etched matte Glass, back painted	+11,152
CS01	Corian Glacier White	+13,588
QS__	Caesarstone	+35,142

## Step 6. Base Finish

MC__	Powder Coat	+0
PM01	Polished Chrome	+506
PM02	Satin Nickel	+506
PM03	Oil Rubbed Bronze	+1,746

## Step 7. Microphone and/or Grommet Accommodations: Optional

MA__	Microphone hole (factory cut)	Qty __ x 354 each
GM__	2" Grommet Hole (factory cut), liner, lid, in matching metal finish	Qty __ x 466 each

## Step 8. Power & Connectivity Access: Optional

TMHW	Tabletop, Metal lid, Hardwired, Qty 3	+15,735
TMPI	Tabletop, Metal lid, Plug In, Qty 3	+13,896
TMLK	Tabletop, Metal lid, Linkable, Qty 3	+13,896
UMHW	Undermount, Hardwired, Qty 8	+8,992
UMPI	Undermount, Plug In, Qty 8	+6,536
UMLK	Undermount, Linkable, Qty 8	+6,436
SOHW	Undermount Slide-out, Hardwired, Qty 8	+15,664
SOPI	Undermount Slide-out, Plug In, Qty 8	+13,288
SOLK	Undermount Slide-out, Linkable, Qty 8	+13,288

## Wire Management Column (sold separately)

Required with any technology selection

Pattern Number: 02WMC6X6	+250
Pattern Number: 02WMC10X10	+975

## Step 1. Metal Finish for Wire Management Column

		6x6	10x10
MC__	Powder Coat	+0	+0
PM01	Polished Chrome	+1,175	+536
PM02	Satin Nickel	+1,175	+536
PM03	Oil Rubbed Bronze	+1,759	+2,448

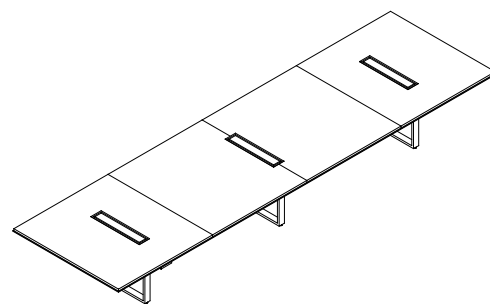
Please consult [page 7](#) for the palette of DatesWeiser finishes. Natural stone, non-standard glass and veneer, and other technology options are available. Please email [customerservice@datesweiser.com](mailto:customerservice@datesweiser.com) for a custom quote. Consult technical information on [page 274](#) for construction details and technical information.



# Highline Rectangular Conference Table

60"x216"/ 18 Person

02R60X216



Starting Price: **\$26,391**

60x216 table, veneer Tier 1 top with metal edge, open base, powder coat metal finish

Base Pattern Number: 02R60X216

## Step 1. Top Material

V	Veneer
G	Glass
C	Corian
Q	Caesarstone

## Step 2. Edge Selection

N__	No Edge
L__	Leather Edge
M__	Metal Edge

## Step 3. Base Type

BL	Base Loop	+0
----	-----------	----

## Step 4. Edge Finish

AU__	Spinneybeck Leather: Acqua	+4,362
MC__	Powder Coat	+0
PM01	Polished Chrome	+2,117
PM02	Satin Nickel	+2,117
PM03	Oil Rubbed Bronze	+2,117

## Step 5. Top Finish

T1__	Veneer Tier 1	+0
T2__	Veneer Tier 2	+2,281
GC__	Clear Glass, back painted	+9,822
GE__	Etched matte Glass, back painted	+11,807
CS01	Corian Glacier White	+14,387
QS__	Caesarstone	+37,209

## Step 6. Base Finish

MC__	Powder Coat	+0
PM01	Polished Chrome	+506
PM02	Satin Nickel	+506
PM03	Oil Rubbed Bronze	+1,746

## Step 7. Microphone and/or Grommet Accommodations: Optional

MA__	Microphone hole (factory cut)	Qty __ x 354 each
GM__	2" Grommet Hole (factory cut), liner, lid, in matching metal finish	Qty __ x 466 each

## Step 8. Power & Connectivity Access: Optional

TMHW	Tabletop, Metal lid, Hardwired, Qty 3	+15,735
TMPI	Tabletop, Metal lid, Plug In, Qty 3	+13,896
TMLK	Tabletop, Metal lid, Linkable, Qty 3	+13,896
UMHW	Undermount, Hardwired, Qty 8	+8,992
UMPI	Undermount, Plug In, Qty 8	+6,536
UMLK	Undermount, Linkable, Qty 8	+6,436
SOHW	Undermount Slide-out, Hardwired, Qty 8	+15,664
SOPI	Undermount Slide-out, Plug In, Qty 8	+13,288
SOLK	Undermount Slide-out, Linkable, Qty 8	+13,288

## Wire Management Column (sold separately)

Required with any technology selection

Pattern Number: 02WMC6X6	+250
Pattern Number: 02WMC10X10	+975

## Step 1. Metal Finish for Wire Management Column

		6x6	10x10
MC__	Powder Coat	+0	+0
PM01	Polished Chrome	+1,175	+536
PM02	Satin Nickel	+1,175	+536
PM03	Oil Rubbed Bronze	+1,759	+2,448

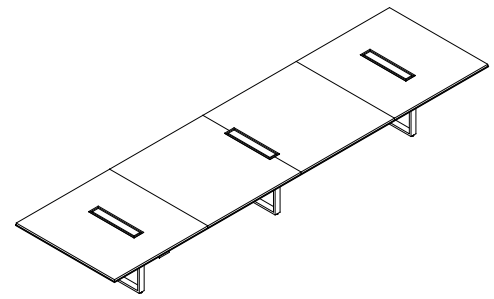
Please consult [page 7](#) for the palette of DatesWeiser finishes. Natural stone, non-standard glass and veneer, and other technology options are available. Please email [customerservice@datesweiser.com](mailto:customerservice@datesweiser.com) for a custom quote. Consult technical information on [page 274](#) for construction details and technical information.



# Highline Rectangular Conference Table

60"x228"/ 18 Person

02R60X228



Starting Price: **\$27,351**

60x228 table, veneer Tier 1 top with metal edge, open base, powder coat metal finish

Base Pattern Number: 02R60X228

## Step 1. Top Material

V	Veneer
G	Glass
C	Corian
Q	Caesarstone

## Step 2. Edge Selection

N__	No Edge
L__	Leather Edge
M__	Metal Edge

## Step 3. Base Type

BL	Base Loop	+0
----	-----------	----

## Step 4. Edge Finish

AU__	Spinneybeck Leather: Acqua	+4,551
MC__	Powder Coat	+0
PM01	Polished Chrome	+2,117
PM02	Satin Nickel	+2,117
PM03	Oil Rubbed Bronze	+2,117

## Step 5. Top Finish

T1__	Veneer Tier 1	+0
T2__	Veneer Tier 2	+2,410
GC__	Clear Glass, back painted	+10,370
GE__	Etched matte Glass, back painted	+12,465
CS01	Corian Glacier White	+15,188
QS__	Caesarstone*	+39,278

## Step 6. Base Finish

MC__	Powder Coat	+0
PM01	Polished Chrome	+506
PM02	Satin Nickel	+506
PM03	Oil Rubbed Bronze	+1,746

## Step 7. Microphone and/or Grommet Accommodations: Optional

MA__	Microphone hole (factory cut)	Qty __ x 354 each
GM__	2" Grommet Hole (factory cut), liner, lid, in matching metal finish	Qty __ x 466 each

## Step 8. Power & Connectivity Access: Optional

TMHW	Tabletop, Metal lid, Hardwired, Qty 3	+15,735
TMPI	Tabletop, Metal lid, Plug In, Qty 3	+13,896
TMLK	Tabletop, Metal lid, Linkable, Qty 3	+13,896
UMHW	Undermount, Hardwired, Qty 8	+8,992
UMPI	Undermount, Plug In, Qty 8	+6,536
UMLK	Undermount, Linkable, Qty 8	+6,436
SOHW	Undermount Slide-out, Hardwired, Qty 8	+15,664
SOPI	Undermount Slide-out, Plug In, Qty 8	+13,288
SOLK	Undermount Slide-out, Linkable, Qty 8	+13,288

## Wire Management Column (sold separately)

Required with any technology selection

Pattern Number: 02WMC6X6	+250
Pattern Number: 02WMC10X10	+975

## Step 1. Metal Finish for Wire Management Column

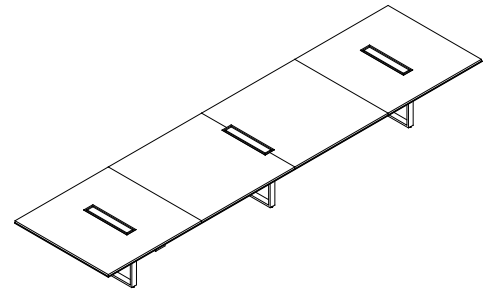
		6x6	10x10
MC__	Powder Coat	+0	+0
PM01	Polished Chrome	+1,175	+536
PM02	Satin Nickel	+1,175	+536
PM03	Oil Rubbed Bronze	+1,759	+2,448

Please consult [page 7](#) for the palette of DatesWeiser finishes. Natural stone, non-standard glass and veneer, and other technology options are available. Please email [customerservice@datesweiser.com](mailto:customerservice@datesweiser.com) for a custom quote. Consult technical information on [page 274](#) for construction details and technical information.

# Highline Rectangular Conference Table

60"x240"/ 20 Person

02R60X240



Starting Price: **\$28,337**

60x240 table, veneer Tier 1 top with metal edge, open base, powder coat metal finish

Base Pattern Number: 02R60X240

## Step 1. Top Material

V	Veneer
G	Glass
C	Corian
Q	Caesarstone

## Step 2. Edge Selection

N__	No Edge
L__	Leather Edge
M__	Metal Edge

## Step 3. Base Type

BL	Base Loop	+0
----	-----------	----

## Step 4. Edge Finish

AU__	Spinneybeck Leather: Acqua	+4,741
MC__	Powder Coat	+0
PM01	Polished Chrome	+2,117
PM02	Satin Nickel	+2,117
PM03	Oil Rubbed Bronze	+2,117

## Step 5. Top Finish

T1__	Veneer Tier 1	+0
T2__	Veneer Tier 2	+2,536
GC__	Clear Glass, back painted	+10,915
GE__	Etched matte Glass, back painted	+13,120
CS01	Corian Glacier White	+15,987
QS__	Caesarstone*	+41,344

## Step 6. Base Finish

MC__	Powder Coat	+0
PM01	Polished Chrome	+506
PM02	Satin Nickel	+506
PM03	Oil Rubbed Bronze	+1,746

## Step 7. Microphone and/or Grommet Accommodations: Optional

MA__	Microphone hole (factory cut)	Qty __ x 354 each
GM__	2" Grommet Hole (factory cut), liner, lid, in matching metal finish	Qty __ x 466 each

## Step 8. Power & Connectivity Access: Optional

TMHW	Tabletop, Metal lid, Hardwired, Qty 3	+15,735
TMPI	Tabletop, Metal lid, Plug In, Qty 3	+13,896
TMLK	Tabletop, Metal lid, Linkable, Qty 3	+13,896
UMHW	Undermount, Hardwired, Qty 10	+11,240
UMPI	Undermount, Plug In, Qty 10	+8,170
UMLK	Undermount, Linkable, Qty 10	+8,170
SOHW	Undermount Slide-out, Hardwired, Qty 10	+19,580
SOP1	Undermount Slide-out, Plug In, Qty 10	+16,610
SOLK	Undermount Slide-out, Linkable, Qty 10	+16,610

## Wire Management Column (sold separately)

Required with any technology selection

Pattern Number: 02WMC6X6	+250
Pattern Number: 02WMC10X10	+975

## Step 1. Metal Finish for Wire Management Column

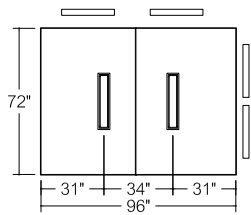
		6x6	10x10
MC__	Powder Coat	+0	+0
PM01	Polished Chrome	+1,175	+536
PM02	Satin Nickel	+1,175	+536
PM03	Oil Rubbed Bronze	+1,759	+2,448

Please consult [page 7](#) for the palette of DatesWeiser finishes. Natural stone, non-standard glass and veneer, and other technology options are available. Please email [customerservice@datesweiser.com](mailto:customerservice@datesweiser.com) for a custom quote. Consult technical information on [page 274](#) for construction details and technical information.

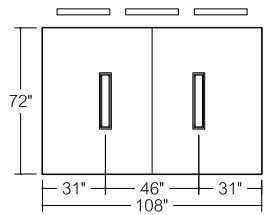


# Highline Rectangular Conference Tables Index

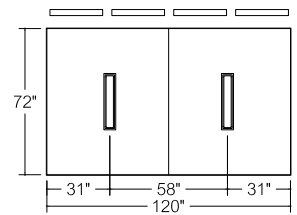
72" width



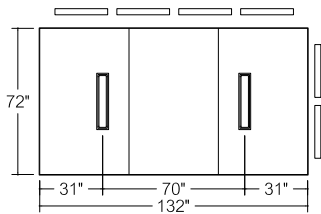
**02R72X96**  
8 Person Table



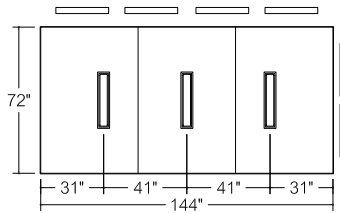
**02R72X108**  
10 Person Table



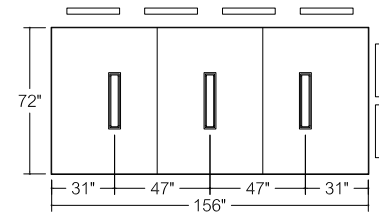
**02R72X120**  
12 Person Table



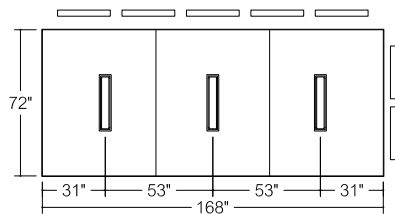
**02R72X132**  
12 Person Table



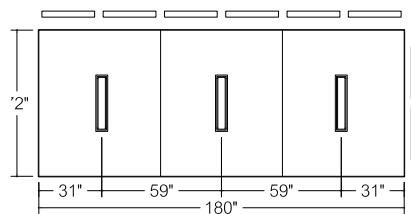
**02R72X144**  
12 Person Table



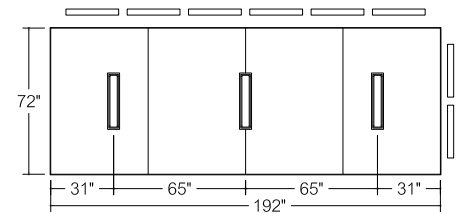
**02R72X156**  
12 Person Table



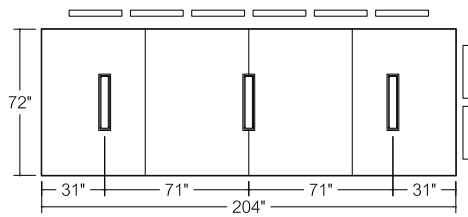
**02R72X168**  
14 Person Table



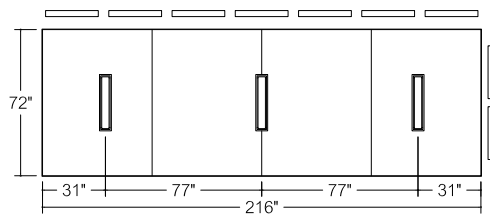
**02R72X180**  
16 Person Table



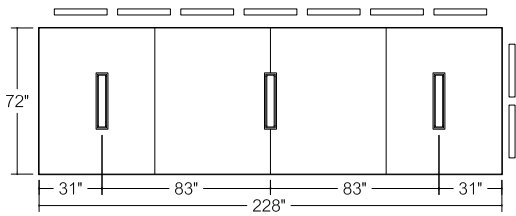
**02R72X192**  
16 Person Table



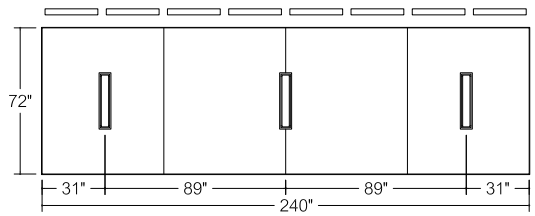
02R72X204  
16 Person Table



02R72X216  
18 Person Table



02R72X228  
18 Person Table

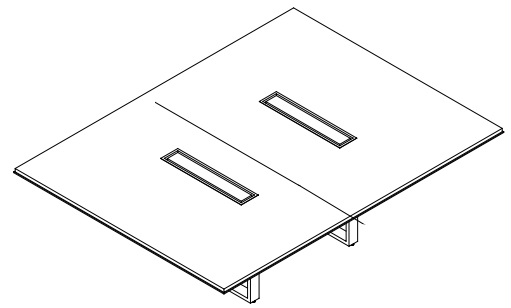


02R72X240  
20 Person Table

# Highline Rectangular Conference Table

72"x96" / 8 Person

02R72X96



Starting Price: **\$15,691**

72x96 table, veneer Tier 1 top with metal edge, open base, powder coat metal finish

Base Pattern Number: 02R72X96

## Step 1. Top Material

V	Veneer
G	Glass
C	Corian
Q	Caesarstone

## Step 2. Edge Selection

N__	No Edge
L__	Leather Edge
M__	Metal Edge

## Step 3. Base Type

BL	Base Loop	+0
----	-----------	----

## Step 4. Edge Finish

AU__	Spinneybeck Leather: Acqua	+2,654
MC__	Powder Coat	+0
PM01	Polished Chrome	+1,351
PM02	Satin Nickel	+1,351
PM03	Oil Rubbed Bronze	+1,351

## Step 5. Top Finish

T1__	Veneer Tier 1	+0
T2__	Veneer Tier 2	+1,217
GC__	Clear Glass, back painted	+5,239
GE__	Etched matte Glass, back painted	+6,297
CS01	Corian Glacier White	+7,674
QS__	Caesarstone	+19,845

## Step 6. Base Finish

MC__	Powder Coat	+0
PM01	Polished Chrome	+337
PM02	Satin Nickel	+337
PM03	Oil Rubbed Bronze	+1,164

## Step 7. Microphone and/or Grommet Accommodations: Optional

MA__	Microphone hole (factory cut)	Qty __ x 354 each
GM__	2" Grommet Hole (factory cut), liner, lid, in matching metal finish	Qty __ x 466 each

## Step 8. Power & Connectivity Access: Optional

TMHW	Tabletop, Metal lid, Hardwired, Qty 2	+10,490
TMPI	Tabletop, Metal lid, Plug In, Qty 2	+9,264
TMLK	Tabletop, Metal lid, Linkable, Qty 2	+9,264
UMHW	Undermount, Hardwired, Qty 4	+4,496
UMPI	Undermount, Plug In, Qty 4	+3,268
UMLK	Undermount, Linkable, Qty 4	+3,268
SOHW	Undermount Slide-out, Hardwired, Qty 4	+7,832
SOPI	Undermount Slide-out, Plug In, Qty 4	+6,644
SOLK	Undermount Slide-out, Linkable, Qty 4	+6,644

## Wire Management Column (sold separately)

Required with any technology selection

Pattern Number: 02WMC6X6	+250
Pattern Number: 02WMC10X10	+975

## Step 1. Metal Finish for Wire Management Column

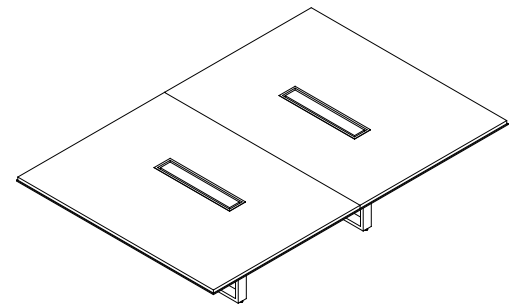
		6x6	10x10
MC__	Powder Coat	+0	+0
PM01	Polished Chrome	+1,175	+536
PM02	Satin Nickel	+1,175	+536
PM03	Oil Rubbed Bronze	+1,759	+2,448

Please consult [page 7](#) for the palette of DatesWeiser finishes. Natural stone, non-standard glass and veneer, and other technology options are available. Please email [customerservice@datesweiser.com](mailto:customerservice@datesweiser.com) for a custom quote. Consult technical information on [page 274](#) for construction details and technical information.

# Highline Rectangular Conference Table

72"x108"/ 10 Person

02R72X108



Starting Price: **\$16,919**

72x108 table, veneer Tier 1 top with metal edge, open base, powder coat metal finish

Base Pattern Number: 02R72X108

## Step 1. Top Material

V	Veneer
G	Glass
C	Corian
Q	Caesarstone

## Step 2. Edge Selection

N__	No Edge
L__	Leather Edge
M__	Metal Edge

## Step 3. Base Type

BL	Base Loop	+0
----	-----------	----

## Step 4. Edge Finish

AU__	Spinneybeck Leather: Acqua	+2,844
MC__	Powder Coat	+0
PM01	Polished Chrome	+1,351
PM02	Satin Nickel	+1,351
PM03	Oil Rubbed Bronze	+1,351

## Step 5. Top Finish

T1__	Veneer Tier 1	+0
T2__	Veneer Tier 2	+1,369
GC__	Clear Glass, back painted	+5,894
GE__	Etched matte Glass, back painted	+7,085
CS01	Corian Glacier White	+8,633
QS__	Caesarstone	+22,326

## Step 6. Base Finish

MC__	Powder Coat	+0
PM01	Polished Chrome	+337
PM02	Satin Nickel	+337
PM03	Oil Rubbed Bronze	+1,164

## Step 7. Microphone and/or Grommet Accommodations: Optional

MA__	Microphone hole (factory cut)	Qty __ x 354 each
GM__	2" Grommet Hole (factory cut), liner, lid, in matching metal finish	Qty __ x 466 each

## Step 8. Power & Connectivity Access: Optional

TMHW	Tabletop, Metal lid, Hardwired, Qty 2	+10,490
TMPI	Tabletop, Metal lid, Plug In, Qty 2	+9,264
TMLK	Tabletop, Metal lid, Linkable, Qty 2	+9,264
UMHW	Undermount, Hardwired, Qty 4	+4,496
UMPI	Undermount, Plug In, Qty 4	+3,268
UMLK	Undermount, Linkable, Qty 4	+3,268
SOHW	Undermount Slide-out, Hardwired, Qty 4	+7,832
SOPI	Undermount Slide-out, Plug In, Qty 4	+6,644
SOLK	Undermount Slide-out, Linkable, Qty 4	+6,644

## Wire Management Column (sold separately)

Required with any technology selection

Pattern Number: 02WMC6X6	+250
Pattern Number: 02WMC10X10	+975

## Step 1. Metal Finish for Wire Management Column

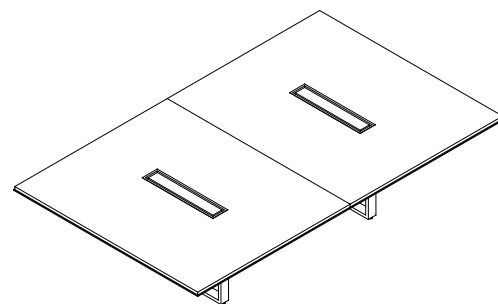
		6x6	10x10
MC__	Powder Coat	+0	+0
PM01	Polished Chrome	+1,175	+536
PM02	Satin Nickel	+1,175	+536
PM03	Oil Rubbed Bronze	+1,759	+2,448

Please consult [page 7](#) for the palette of DatesWeiser finishes. Natural stone, non-standard glass and veneer, and other technology options are available. Please email [customerservice@datesweiser.com](mailto:customerservice@datesweiser.com) for a custom quote. Consult technical information on [page 274](#) for construction details and technical information.

# Highline Rectangular Conference Table

72"x120"/ 12 Person

02R72X120



Starting Price: **\$18,086**

72x120 table, veneer Tier 1 top with metal edge, open base, powder coat metal finish

Base Pattern Number: 02R72X120

## Step 1. Top Material

V	Veneer
G	Glass
C	Corian
Q	Caesarstone

## Step 2. Edge Selection

N__	No Edge
L__	Leather Edge
M__	Metal Edge

## Step 3. Base Type

BL	Base Loop	+0
----	-----------	----

## Step 4. Edge Finish

AU__	Spinneybeck Leather: Acqua	+3,035
MC__	Powder Coat	+0
PM01	Polished Chrome	+1,351
PM02	Satin Nickel	+1,351
PM03	Oil Rubbed Bronze	+1,351

## Step 5. Top Finish

T1__	Veneer Tier 1	+0
T2__	Veneer Tier 2	+1,522
GC__	Clear Glass, back painted	+6,549
GE__	Etched matte Glass, back painted	+7,872
CS01	Corian Glacier White	+9,592
QS__	Caesarstone	+24,807

## Step 6. Base Finish

MC__	Powder Coat	+0
PM01	Polished Chrome	+337
PM02	Satin Nickel	+337
PM03	Oil Rubbed Bronze	+1,164

## Step 7. Microphone and/or Grommet Accommodations: Optional

MA__	Microphone hole (factory cut)	Qty __ x 354 each
GM__	2" Grommet Hole (factory cut), liner, lid, in matching metal finish	Qty __ x 466 each

## Step 8. Power & Connectivity Access: Optional

TMHW	Tabletop, Metal lid, Hardwired, Qty 2	+10,490
TMPI	Tabletop, Metal lid, Plug In, Qty 2	+9,264
TMLK	Tabletop, Metal lid, Linkable, Qty 2	+9,264
UMHW	Undermount, Hardwired, Qty 6	+6,744
UMPI	Undermount, Plug In, Qty 6	+4,902
UMLK	Undermount, Linkable, Qty 6	+4,902
SOHW	Undermount Slide-out, Hardwired, Qty 6	+11,748
SOPI	Undermount Slide-out, Plug In, Qty 6	+9,966
SOLK	Undermount Slide-out, Linkable, Qty 6	+9,966

## Wire Management Column (sold separately)

Required with any technology selection

Pattern Number: 02WMC6X6	+250
Pattern Number: 02WMC10X10	+975

## Step 1. Metal Finish for Wire Management Column

		6x6	10x10
MC__	Powder Coat	+0	+0
PM01	Polished Chrome	+1,175	+536
PM02	Satin Nickel	+1,175	+536
PM03	Oil Rubbed Bronze	+1,759	+2,448

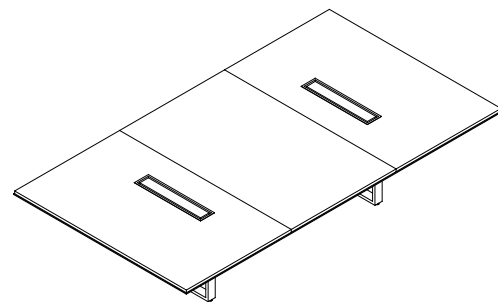
Please consult [page 7](#) for the palette of DatesWeiser finishes. Natural stone, non-standard glass and veneer, and other technology options are available. Please email [customerservice@datesweiser.com](mailto:customerservice@datesweiser.com) for a custom quote. Consult technical information on [page 274](#) for construction details and technical information.



# Highline Rectangular Conference Table

72"x132"/ 12 Person

02R72X132



Starting Price: **\$20,998**

72x132 table, veneer Tier 1 top with metal edge, open base, powder coat metal finish

Base Pattern Number: 02R72X132

## Step 1. Top Material

V	Veneer
G	Glass
C	Corian
Q	Caesarstone

## Step 2. Edge Selection

N__	No Edge
L__	Leather Edge
M__	Metal Edge

## Step 3. Base Type

BL	Base Loop	+0
----	-----------	----

## Step 4. Edge Finish

AU__	Spinneybeck Leather: Acqua	+3,224
MC__	Powder Coat	+0
PM01	Polished Chrome	+1,432
PM02	Satin Nickel	+1,432
PM03	Oil Rubbed Bronze	+1,432

## Step 5. Top Finish

T1__	Veneer Tier 1	+0
T2__	Veneer Tier 2	+1,674
GC__	Clear Glass, back painted	+7,204
GE__	Etched matte Glass, back painted	+8,659
CS01	Corian Glacier White	+10,551
QS__	Caesarstone	+27,287

## Step 6. Base Finish

MC__	Powder Coat	+0
PM01	Polished Chrome	+337
PM02	Satin Nickel	+337
PM03	Oil Rubbed Bronze	+1,164

## Step 7. Microphone and/or Grommet Accommodations: Optional

MA__	Microphone hole (factory cut)	Qty __ x 354 each
GM__	2" Grommet Hole (factory cut), liner, lid, in matching metal finish	Qty __ x 466 each

## Step 8. Power & Connectivity Access: Optional

TMHW	Tabletop, Metal lid, Hardwired, Qty 2	+10,490
TMPI	Tabletop, Metal lid, Plug In, Qty 2	+9,264
TMLK	Tabletop, Metal lid, Linkable, Qty 2	+9,264
UMHW	Undermount, Hardwired, Qty 6	+6,744
UMPI	Undermount, Plug In, Qty 6	+4,902
UMLK	Undermount, Linkable, Qty 6	+4,902
SOHW	Undermount Slide-out, Hardwired, Qty 6	+11,748
SOPI	Undermount Slide-out, Plug In, Qty 6	+9,966
SOLK	Undermount Slide-out, Linkable, Qty 6	+9,966

## Wire Management Column (sold separately)

Required with any technology selection

Pattern Number: 02WMC6X6	+250
Pattern Number: 02WMC10X10	+975

## Step 1. Metal Finish for Wire Management Column

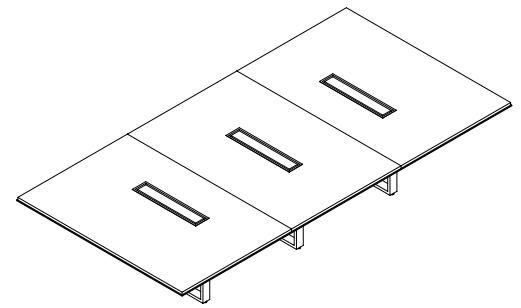
		6x6	10x10
MC__	Powder Coat	+0	+0
PM01	Polished Chrome	+1,175	+536
PM02	Satin Nickel	+1,175	+536
PM03	Oil Rubbed Bronze	+1,759	+2,448

Please consult [page 7](#) for the palette of DatesWeiser finishes. Natural stone, non-standard glass and veneer, and other technology options are available. Please email [customerservice@datesweiser.com](mailto:customerservice@datesweiser.com) for a custom quote. Consult technical information on [page 274](#) for construction details and technical information.

# Highline Rectangular Conference Table

72"x144"/ 12 Person

02R72X144



Starting Price: **\$22,534**

72x144 table, veneer Tier 1 top with metal edge, open base, powder coat metal finish

Base Pattern Number: 02R72X144

## Step 1. Top Material

V	Veneer
G	Glass
C	Corian
Q	Caesarstone

## Step 2. Edge Selection

N__	No Edge
L__	Leather Edge
M__	Metal Edge

## Step 3. Base Type

BL	Base Loop	+0
----	-----------	----

## Step 4. Edge Finish

AU__	Spinneybeck Leather: Acqua	+3,414
MC__	Powder Coat	+0
PM01	Polished Chrome	+1,432
PM02	Satin Nickel	+1,432
PM03	Oil Rubbed Bronze	+1,432

## Step 5. Top Finish

T1__	Veneer Tier 1	+0
T2__	Veneer Tier 2	+1,826
GC__	Clear Glass, back painted	+7,858
GE__	Etched matte Glass, back painted	+9,446
CS01	Corian Glacier White	+11,510
QS__	Caesarstone	+29,768

## Step 6. Base Finish

MC__	Powder Coat	+0
PM01	Polished Chrome	+506
PM02	Satin Nickel	+506
PM03	Oil Rubbed Bronze	+1,746

## Step 7. Microphone and/or Grommet Accommodations: Optional

MA__	Microphone hole (factory cut)	Qty __ x 354 each
GM__	2" Grommet Hole (factory cut), liner, lid, in matching metal finish	Qty __ x 466 each

## Step 8. Power & Connectivity Access: Optional

TMHW	Tabletop, Metal lid, Hardwired, Qty 3	+15,735
TMPI	Tabletop, Metal lid, Plug In, Qty 3	+13,896
TMLK	Tabletop, Metal lid, Linkable, Qty 3	+13,896
UMHW	Undermount, Hardwired, Qty 6	+6,744
UMPI	Undermount, Plug In, Qty 6	+4,902
UMLK	Undermount, Linkable, Qty 6	+4,902
SOHW	Undermount Slide-out, Hardwired, Qty 6	+11,748
SOPI	Undermount Slide-out, Plug In, Qty 6	+9,966
SOLK	Undermount Slide-out, Linkable, Qty 6	+9,966

## Wire Management Column (sold separately)

Required with any technology selection

Pattern Number: 02WMC6X6	+250
Pattern Number: 02WMC10X10	+975

## Step 1. Metal Finish for Wire Management Column

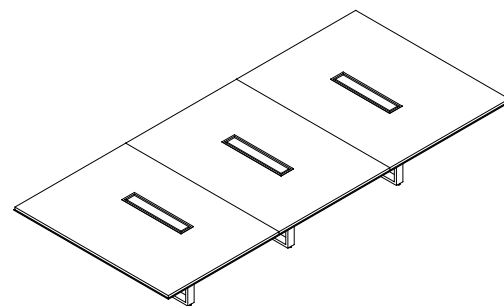
		6x6	10x10
MC__	Powder Coat	+0	+0
PM01	Polished Chrome	+1,175	+536
PM02	Satin Nickel	+1,175	+536
PM03	Oil Rubbed Bronze	+1,759	+2,448

Please consult [page 7](#) for the palette of DatesWeiser finishes. Natural stone, non-standard glass and veneer, and other technology options are available. Please email [customerservice@datesweiser.com](mailto:customerservice@datesweiser.com) for a custom quote. Consult technical information on [page 274](#) for construction details and technical information.

# Highline Rectangular Conference Table

72"x156"/ 12 Person

02R72X156



Starting Price: **\$23,947**

72x156 table, veneer Tier 1 top with metal edge, open base, powder coat metal finish

Base Pattern Number: 02R72X156

## Step 1. Top Material

V	Veneer
G	Glass
C	Corian
Q	Caesarstone

## Step 2. Edge Selection

N__	No Edge
L__	Leather Edge
M__	Metal Edge

## Step 3. Base Type

BL	Base Loop	+0
----	-----------	----

## Step 4. Edge Finish

AU__	Spinneybeck Leather: Acqua	+3,603
MC__	Powder Coat	+0
PM01	Polished Chrome	+1,432
PM02	Satin Nickel	+1,432
PM03	Oil Rubbed Bronze	+1,432

## Step 5. Top Finish

T1__	Veneer Tier 1	+0
T2__	Veneer Tier 2	+1,979
GC__	Clear Glass, back painted	+8,514
GE__	Etched matte Glass, back painted	+10,234
CS01	Corian Glacier White	+12,470
QS__	Caesarstone	+32,249

## Step 6. Base Finish

MC__	Powder Coat	+0
PM01	Polished Chrome	+506
PM02	Satin Nickel	+506
PM03	Oil Rubbed Bronze	+1,746

## Step 7. Microphone and/or Grommet Accommodations: Optional

MA__	Microphone hole (factory cut)	Qty __ x 354 each
GM__	2" Grommet Hole (factory cut), liner, lid, in matching metal finish	Qty __ x 466 each

## Step 8. Power & Connectivity Access: Optional

TMHW	Tabletop, Metal lid, Hardwired, Qty 3	+15,735
TMPI	Tabletop, Metal lid, Plug In, Qty 3	+13,896
TMLK	Tabletop, Metal lid, Linkable, Qty 3	+13,896
UMHW	Undermount, Hardwired, Qty 6	+6,744
UMPI	Undermount, Plug In, Qty 6	+4,902
UMLK	Undermount, Linkable, Qty 6	+4,902
SOHW	Undermount Slide-out, Hardwired, Qty 6	+11,748
SOPI	Undermount Slide-out, Plug In, Qty 6	+9,966
SOLK	Undermount Slide-out, Linkable, Qty 6	+9,966

## Wire Management Column (sold separately)

Required with any technology selection

Pattern Number: 02WMC6X6	+250
Pattern Number: 02WMC10X10	+975

## Step 1. Metal Finish for Wire Management Column

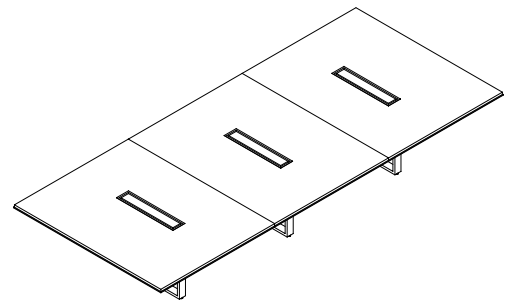
		6x6	10x10
MC__	Powder Coat	+0	+0
PM01	Polished Chrome	+1,175	+536
PM02	Satin Nickel	+1,175	+536
PM03	Oil Rubbed Bronze	+1,759	+2,448

Please consult [page 7](#) for the palette of DatesWeiser finishes. Natural stone, non-standard glass and veneer, and other technology options are available. Please email [customerservice@datesweiser.com](mailto:customerservice@datesweiser.com) for a custom quote. Consult technical information on [page 274](#) for construction details and technical information.

# Highline Rectangular Conference Table

72"x168"/ 14 Person

02R72X168



Starting Price: **\$25,127**

72x168 table, veneer Tier 1 top with metal edge, open base, powder coat metal finish

Base Pattern Number: 02R72X168

## Step 1. Top Material

V	Veneer
G	Glass
C	Corian
Q	Caesarstone

## Step 2. Edge Selection

N__	No Edge
L__	Leather Edge
M__	Metal Edge

## Step 3. Base Type

BL	Base Loop	+0
----	-----------	----

## Step 4. Edge Finish

AU__	Spinneybeck Leather: Acqua	+3,793
MC__	Powder Coat	+0
PM01	Polished Chrome	+2,117
PM02	Satin Nickel	+2,117
PM03	Oil Rubbed Bronze	+2,117

## Step 5. Top Finish

T1__	Veneer Tier 1	+0
T2__	Veneer Tier 2	+2,129
GC__	Clear Glass, back painted	+9,167
GE__	Etched matte Glass, back painted	+11,019
CS01	Corian Glacier White	+13,428
QS__	Caesarstone	+34,728

## Step 6. Base Finish

MC__	Powder Coat	+0
PM01	Polished Chrome	+532
PM02	Satin Nickel	+532
PM03	Oil Rubbed Bronze	+2,504

## Step 7. Microphone and/or Grommet Accommodations: Optional

MA__	Microphone hole (factory cut)	Qty __ x 354 each
GM__	2" Grommet Hole (factory cut), liner, lid, in matching metal finish	Qty __ x 466 each

## Step 8. Power & Connectivity Access: Optional

TMHW	Tabletop, Metal lid, Hardwired, Qty 3	+15,735
TMPI	Tabletop, Metal lid, Plug In, Qty 3	+13,896
TMLK	Tabletop, Metal lid, Linkable, Qty 3	+13,896
UMHW	Undermount, Hardwired, Qty 6	+6,744
UMPI	Undermount, Plug In, Qty 6	+4,902
UMLK	Undermount, Linkable, Qty 6	+4,902
SOHW	Undermount Slide-out, Hardwired, Qty 6	+11,748
SOPI	Undermount Slide-out, Plug In, Qty 6	+9,966
SOLK	Undermount Slide-out, Linkable, Qty 6	+9,966

## Wire Management Column (sold separately)

Required with any technology selection

Pattern Number: 02WMC6X6	+250
Pattern Number: 02WMC10X10	+975

## Step 1. Metal Finish for Wire Management Column

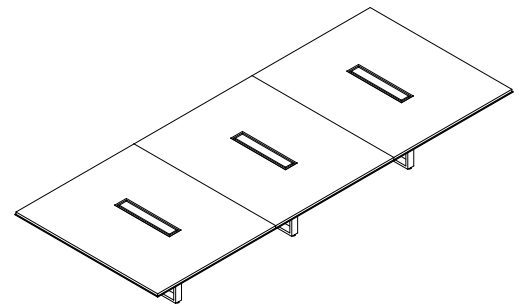
		6x6	10x10
MC__	Powder Coat	+0	+0
PM01	Polished Chrome	+1,175	+536
PM02	Satin Nickel	+1,175	+536
PM03	Oil Rubbed Bronze	+1,759	+2,448

Please consult [page 7](#) for the palette of DatesWeiser finishes. Natural stone, non-standard glass and veneer, and other technology options are available. Please email [customerservice@datesweiser.com](mailto:customerservice@datesweiser.com) for a custom quote. Consult technical information on [page 274](#) for construction details and technical information.

# Highline Rectangular Conference Table

72"x180"/ 16 Person

02R72X180



Starting Price: **\$26,258**

72x180 table, veneer Tier 1 top with metal edge, open base, powder coat metal finish

Base Pattern Number: 02R72X180

## Step 1. Top Material

V	Veneer
G	Glass
C	Corian
Q	Caesarstone

## Step 2. Edge Selection

N__	No Edge
L__	Leather Edge
M__	Metal Edge

## Step 3. Base Type

BL	Base Loop	+0
----	-----------	----

## Step 4. Edge Finish

AU__	Spinneybeck Leather: Acqua	+3,983
MC__	Powder Coat	+0
PM01	Polished Chrome	+2,117
PM02	Satin Nickel	+2,117
PM03	Oil Rubbed Bronze	+2,117

## Step 5. Top Finish

T1__	Veneer Tier 1	+0
T2__	Veneer Tier 2	+2,282
GC__	Clear Glass, back painted	+9,823
GE__	Etched matte Glass, back painted	+11,808
CS01	Corian Glacier White	+14,388
QS__	Caesarstone*	+37,209

## Step 6. Base Finish

MC__	Powder Coat	+0
PM01	Polished Chrome	+532
PM02	Satin Nickel	+532
PM03	Oil Rubbed Bronze	+2,504

## Step 7. Microphone and/or Grommet Accommodations: Optional

MA__	Microphone hole (factory cut)	Qty __ x 354 each
GM__	2" Grommet Hole (factory cut), liner, lid, in matching metal finish	Qty __ x 466 each

## Step 8. Power & Connectivity Access: Optional

TMHW	Tabletop, Metal lid, Hardwired, Qty 3	+15,735
TMPI	Tabletop, Metal lid, Plug In, Qty 3	+13,896
TMLK	Tabletop, Metal lid, Linkable, Qty 3	+13,896
UMHW	Undermount, Hardwired, Qty 8	+8,992
UMPI	Undermount, Plug In, Qty 8	+6,536
UMLK	Undermount, Linkable, Qty 8	+6,436
SOHW	Undermount Slide-out, Hardwired, Qty 8	+15,664
SOPI	Undermount Slide-out, Plug In, Qty 8	+13,288
SOLK	Undermount Slide-out, Linkable, Qty 8	+13,288

## Wire Management Column (sold separately)

Required with any technology selection

Pattern Number: 02WMC6X6	+250
Pattern Number: 02WMC10X10	+975

## Step 1. Metal Finish for Wire Management Column

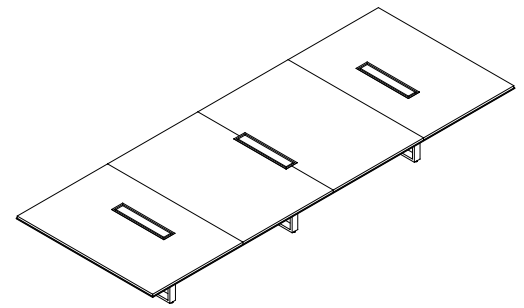
		6x6	10x10
MC__	Powder Coat	+0	+0
PM01	Polished Chrome	+1,175	+536
PM02	Satin Nickel	+1,175	+536
PM03	Oil Rubbed Bronze	+1,759	+2,448

Please consult [page 7](#) for the palette of DatesWeiser finishes. Natural stone, non-standard glass and veneer, and other technology options are available. Please email [customerservice@datesweiser.com](mailto:customerservice@datesweiser.com) for a custom quote. Consult technical information on [page 274](#) for construction details and technical information.

# Highline Rectangular Conference Table

72"x192"/ 16 Person

02R72X192



Starting Price: **\$27,477**

72x192 table, veneer Tier 1 top with metal edge, open base, powder coat metal finish

Base Pattern Number: 02R72X192

## Step 1. Top Material

V	Veneer
G	Glass
C	Corian
Q	Caesarstone

## Step 2. Edge Selection

N__	No Edge
L__	Leather Edge
M__	Metal Edge

## Step 3. Base Type

BL	Base Loop	+0
----	-----------	----

## Step 4. Edge Finish

AU__	Spinneybeck Leather: Acqua	+4,172
MC__	Powder Coat	+0
PM01	Polished Chrome	+2,117
PM02	Satin Nickel	+2,117
PM03	Oil Rubbed Bronze	+2,117

## Step 5. Top Finish

T1__	Veneer Tier 1	+0
T2__	Veneer Tier 2	+2,435
GC__	Clear Glass, back painted	+10,478
GE__	Etched matte Glass, back painted	+12,595
CS01	Corian Glacier White	+15,347
QS__	Caesarstone	+39,690

## Step 6. Base Finish

MC__	Powder Coat	+0
PM01	Polished Chrome	+532
PM02	Satin Nickel	+532
PM03	Oil Rubbed Bronze	+2,504

## Step 7. Microphone and/or Grommet Accommodations: Optional

MA__	Microphone hole (factory cut)	Qty __ x 354 each
GM__	2" Grommet Hole (factory cut), liner, lid, in matching metal finish	Qty __ x 466 each

## Step 8. Power & Connectivity Access: Optional

TMHW	Tabletop, Metal lid, Hardwired, Qty 3	+15,735
TMPI	Tabletop, Metal lid, Plug In, Qty 3	+13,896
TMLK	Tabletop, Metal lid, Linkable, Qty 3	+13,896
UMHW	Undermount, Hardwired, Qty 8	+8,992
UMPI	Undermount, Plug In, Qty 8	+6,536
UMLK	Undermount, Linkable, Qty 8	+6,436
SOHW	Undermount Slide-out, Hardwired, Qty 8	+15,664
SOPI	Undermount Slide-out, Plug In, Qty 8	+13,288
SOLK	Undermount Slide-out, Linkable, Qty 8	+13,288

## Wire Management Column (sold separately)

Required with any technology selection

Pattern Number: 02WMC6X6	+250
Pattern Number: 02WMC10X10	+975

## Step 1. Metal Finish for Wire Management Column

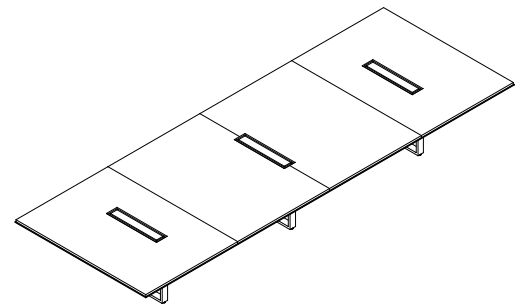
		6x6	10x10
MC__	Powder Coat	+0	+0
PM01	Polished Chrome	+1,175	+536
PM02	Satin Nickel	+1,175	+536
PM03	Oil Rubbed Bronze	+1,759	+2,448

Please consult [page 7](#) for the palette of DatesWeiser finishes. Natural stone, non-standard glass and veneer, and other technology options are available. Please email [customerservice@datesweiser.com](mailto:customerservice@datesweiser.com) for a custom quote. Consult technical information on [page 274](#) for construction details and technical information.

# Highline Rectangular Conference Table

72"x204"/ 16 Person

02R72X204



Starting Price: **\$28,641**

72x204 table, veneer Tier 1 top with metal edge, open base, powder coat metal finish

Base Pattern Number: 02R72X204

## Step 1. Top Material

V	Veneer
G	Glass
C	Corian
Q	Caesarstone

## Step 2. Edge Selection

N__	No Edge
L__	Leather Edge
M__	Metal Edge

## Step 3. Base Type

BL	Base Loop	+0
----	-----------	----

## Step 4. Edge Finish

AU__	Spinneybeck Leather: Acqua	+4,362
MC__	Powder Coat	+0
PM01	Polished Chrome	+2,117
PM02	Satin Nickel	+2,117
PM03	Oil Rubbed Bronze	+2,117

## Step 5. Top Finish

T1__	Veneer Tier 1	+0
T2__	Veneer Tier 2	+2,586
GC__	Clear Glass, back painted	+11,133
GE__	Etched matte Glass, back painted	+13,382
CS01	Corian Glacier White	+16,305
QS__	Caesarstone	+42,170

## Step 6. Base Finish

MC__	Powder Coat	+0
PM01	Polished Chrome	+532
PM02	Satin Nickel	+532
PM03	Oil Rubbed Bronze	+2,504

## Step 7. Microphone and/or Grommet Accommodations: Optional

MA__	Microphone hole (factory cut)	Qty __ x 354 each
GM__	2" Grommet Hole (factory cut), liner, lid, in matching metal finish	Qty __ x 466 each

## Step 8. Power & Connectivity Access: Optional

TMHW	Tabletop, Metal lid, Hardwired, Qty 3	+15,735
TMPI	Tabletop, Metal lid, Plug In, Qty 3	+13,896
TMLK	Tabletop, Metal lid, Linkable, Qty 3	+13,896
UMHW	Undermount, Hardwired, Qty 8	+8,992
UMPI	Undermount, Plug In, Qty 8	+6,536
UMLK	Undermount, Linkable, Qty 8	+6,436
SOHW	Undermount Slide-out, Hardwired, Qty 8	+15,664
SOPI	Undermount Slide-out, Plug In, Qty 8	+13,288
SOLK	Undermount Slide-out, Linkable, Qty 8	+13,288

## Wire Management Column (sold separately)

Required with any technology selection

Pattern Number: 02WMC6X6	+250
Pattern Number: 02WMC10X10	+975

## Step 1. Metal Finish for Wire Management Column

		6x6	10x10
MC__	Powder Coat	+0	+0
PM01	Polished Chrome	+1,175	+536
PM02	Satin Nickel	+1,175	+536
PM03	Oil Rubbed Bronze	+1,759	+2,448

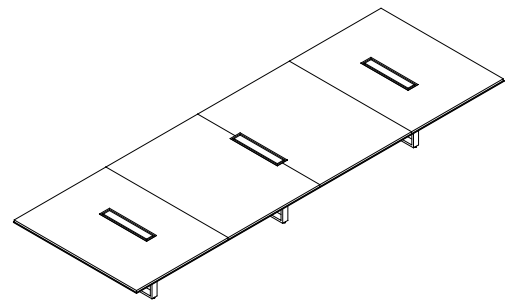
Please consult [page 7](#) for the palette of DatesWeiser finishes. Natural stone, non-standard glass and veneer, and other technology options are available. Please email [customerservice@datesweiser.com](mailto:customerservice@datesweiser.com) for a custom quote. Consult technical information on [page 274](#) for construction details and technical information.



# Highline Rectangular Conference Table

72"x216"/ 18 Person

02R72X216



Starting Price: **\$29,813**

72x216 table, veneer Tier 1 top with metal edge, open base, powder coat metal finish

Base Pattern Number: 02R72X216

## Step 1. Top Material

V	Veneer
G	Glass
C	Corian
Q	Caesarstone

## Step 2. Edge Selection

N__	No Edge
L__	Leather Edge
M__	Metal Edge

## Step 3. Base Type

BL	Base Loop	+0
----	-----------	----

## Step 4. Edge Finish

AU__	Spinneybeck Leather: Acqua	+4,551
MC__	Powder Coat	+0
PM01	Polished Chrome	+2,117
PM02	Satin Nickel	+2,117
PM03	Oil Rubbed Bronze	+2,117

## Step 5. Top Finish

T1__	Veneer Tier 1	+0
T2__	Veneer Tier 2	+2,738
GC__	Clear Glass, back painted	+11,788
GE__	Etched matte Glass, back painted	+14,268
CS01	Corian Glacier White	+17,265
QS__	Caesarstone	+44,651

## Step 6. Base Finish

MC__	Powder Coat	+0
PM01	Polished Chrome	+532
PM02	Satin Nickel	+532
PM03	Oil Rubbed Bronze	+2,504

## Step 7. Microphone and/or Grommet Accommodations: Optional

MA__	Microphone hole (factory cut)	Qty __ x 354 each
GM__	2" Grommet Hole (factory cut), liner, lid, in matching metal finish	Qty __ x 466 each

## Step 8. Power & Connectivity Access: Optional

TMHW	Tabletop, Metal lid, Hardwired, Qty 3	+15,735
TMPI	Tabletop, Metal lid, Plug In, Qty 3	+13,896
TMLK	Tabletop, Metal lid, Linkable, Qty 3	+13,896
UMHW	Undermount, Hardwired, Qty 8	+8,992
UMPI	Undermount, Plug In, Qty 8	+6,536
UMLK	Undermount, Linkable, Qty 8	+6,436
SOHW	Undermount Slide-out, Hardwired, Qty 8	+15,664
SOPI	Undermount Slide-out, Plug In, Qty 8	+13,288
SOLK	Undermount Slide-out, Linkable, Qty 8	+13,288

## Wire Management Column (sold separately)

Required with any technology selection

Pattern Number: 02WMC6X6	+250
Pattern Number: 02WMC10X10	+975

## Step 1. Metal Finish for Wire Management Column

		6x6	10x10
MC__	Powder Coat	+0	+0
PM01	Polished Chrome	+1,175	+536
PM02	Satin Nickel	+1,175	+536
PM03	Oil Rubbed Bronze	+1,759	+2,448

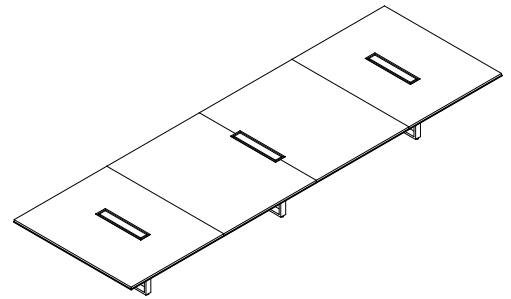
Please consult [page 7](#) for the palette of DatesWeiser finishes. Natural stone, non-standard glass and veneer, and other technology options are available. Please email [customerservice@datesweiser.com](mailto:customerservice@datesweiser.com) for a custom quote. Consult technical information on [page 274](#) for construction details and technical information.



# Highline Rectangular Conference Table

72"x228"/ 18 Person

02R72X228



Starting Price: **\$30,960**

72x228 table, veneer Tier 1 top with metal edge, open base, powder coat metal finish

Base Pattern Number: 02R72X228

## Step 1. Top Material

V	Veneer
G	Glass
C	Corian
Q	Caesarstone

## Step 2. Edge Selection

N__	No Edge
L__	Leather Edge
M__	Metal Edge

## Step 3. Base Type

BL	Base Loop	+0
----	-----------	----

## Step 4. Edge Finish

AU__	Spinneybeck Leather: Acqua	+4,741
MC__	Powder Coat	+0
PM01	Polished Chrome	+2,117
PM02	Satin Nickel	+2,117
PM03	Oil Rubbed Bronze	+2,117

## Step 5. Top Finish

T1__	Veneer Tier 1	+0
T2__	Veneer Tier 2	+2,891
GC__	Clear Glass, back painted	+12,443
GE__	Etched matte Glass, back painted	+14,957
CS01	Corian Glacier White	+18,225
QS__	Caesarstone*	+47,133

## Step 6. Base Finish

MC__	Powder Coat	+0
PM01	Polished Chrome	+532
PM02	Satin Nickel	+532
PM03	Oil Rubbed Bronze	+2,504

## Step 7. Microphone and/or Grommet Accommodations: Optional

MA__	Microphone hole (factory cut)	Qty __ x 354 each
GM__	2" Grommet Hole (factory cut), liner, lid, in matching metal finish	Qty __ x 466 each

## Step 8. Power & Connectivity Access: Optional

TMHW	Tabletop, Metal lid, Hardwired, Qty 3	+15,735
TMPI	Tabletop, Metal lid, Plug In, Qty 3	+13,896
TMLK	Tabletop, Metal lid, Linkable, Qty 3	+13,896
UMHW	Undermount, Hardwired, Qty 8	+8,992
UMPI	Undermount, Plug In, Qty 8	+6,536
UMLK	Undermount, Linkable, Qty 8	+6,436
SOHW	Undermount Slide-out, Hardwired, Qty 8	+15,664
SOPI	Undermount Slide-out, Plug In, Qty 8	+13,288
SOLK	Undermount Slide-out, Linkable, Qty 8	+13,288

## Wire Management Column (sold separately)

Required with any technology selection

Pattern Number: 02WMC6X6	+250
Pattern Number: 02WMC10X10	+975

## Step 1. Metal Finish for Wire Management Column

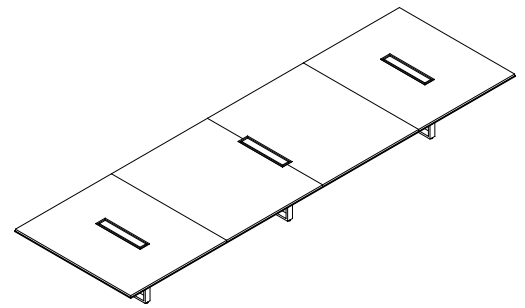
		6x6	10x10
MC__	Powder Coat	+0	+0
PM01	Polished Chrome	+1,175	+536
PM02	Satin Nickel	+1,175	+536
PM03	Oil Rubbed Bronze	+1,759	+2,448

Please consult [page 7](#) for the palette of DatesWeiser finishes. Natural stone, non-standard glass and veneer, and other technology options are available. Please email [customerservice@datesweiser.com](mailto:customerservice@datesweiser.com) for a custom quote. Consult technical information on [page 274](#) for construction details and technical information.

# Highline Rectangular Conference Table

72"x240"/ 20 Person

02R72X240



Starting Price: **\$32,110**

72x240 table, veneer Tier 1 top with metal edge, open base, powder coat metal finish

Base Pattern Number: 02R72X240

## Step 1. Top Material

V	Veneer
G	Glass
C	Corian
Q	Caesarstone

## Step 2. Edge Selection

N__	No Edge
L__	Leather Edge
M__	Metal Edge

## Step 3. Base Type

BL	Base Loop	+0
----	-----------	----

## Step 4. Edge Finish

AU__	Spinneybeck Leather: Acqua	+4,931
MC__	Powder Coat	+0
PM01	Polished Chrome	+2,117
PM02	Satin Nickel	+2,117
PM03	Oil Rubbed Bronze	+2,117

## Step 5. Top Finish

T1__	Veneer Tier 1	+0
T2__	Veneer Tier 2	+3,043
GC__	Clear Glass, back painted	+13,098
GE__	Etched matte Glass, back painted	+15,744
CS01	Corian Glacier White	+19,294
QS__	Caesarstone*	+49,613

## Step 6. Base Finish

MC__	Powder Coat	+0
PM01	Polished Chrome	+532
PM02	Satin Nickel	+532
PM03	Oil Rubbed Bronze	+ 2,504

## Step 7. Microphone and/or Grommet Accommodations: Optional

MA__	Microphone hole (factory cut)	Qty __ x 354 each
GM__	2" Grommet Hole (factory cut), liner, lid, in matching metal finish	Qty __ x 466 each

## Step 8. Power & Connectivity Access: Optional

TMHW	Tabletop, Metal lid, Hardwired, Qty 3	+15,735
TMPI	Tabletop, Metal lid, Plug In, Qty 3	+13,896
TMLK	Tabletop, Metal lid, Linkable, Qty 3	+13,896
UMHW	Undermount, Hardwired, Qty 10	+11,240
UMPI	Undermount, Plug In, Qty 10	+8,170
UMLK	Undermount, Linkable, Qty 10	+8,170
SOHW	Undermount Slide-out, Hardwired, Qty 10	+19,580
SOPI	Undermount Slide-out, Plug In, Qty 10	+16,610
SOLK	Undermount Slide-out, Linkable, Qty 10	+16,610

## Wire Management Column (sold separately)

Required with any technology selection

Pattern Number: 02WMC6X6	+250
Pattern Number: 02WMC10X10	+975

## Step 1. Metal Finish for Wire Management Column

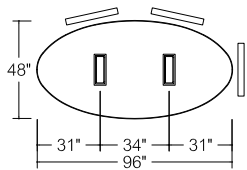
		6x6	10x10
MC__	Powder Coat	+0	+0
PM01	Polished Chrome	+1,175	+536
PM02	Satin Nickel	+1,175	+536
PM03	Oil Rubbed Bronze	+1,759	+2,448

Please consult [page 7](#) for the palette of DatesWeiser finishes. Natural stone, non-standard glass and veneer, and other technology options are available. Please email [customerservice@datesweiser.com](mailto:customerservice@datesweiser.com) for a custom quote. Consult technical information on [page 274](#) for construction details and technical information.

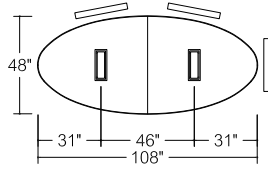


# Highline Elliptical Conference Tables Index

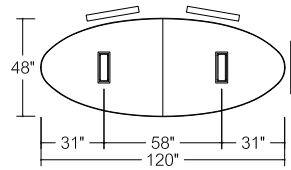
48"-72" width



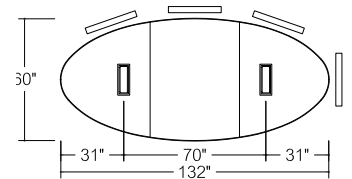
**02E48X96**  
6 Person Table



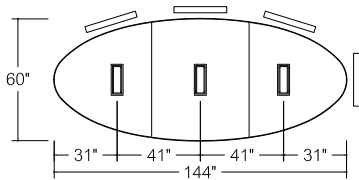
**02E48X108**  
6 Person Table



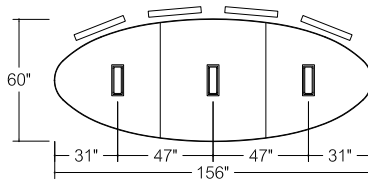
**02E48X120**  
6 Person Table



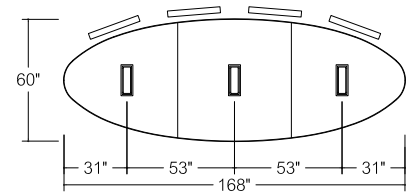
**02E60X132**  
8 Person Table



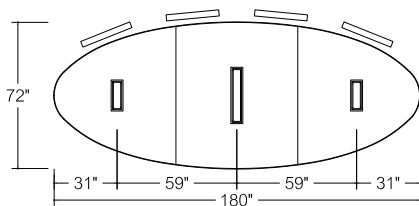
**02E60X144**  
8 Person Table



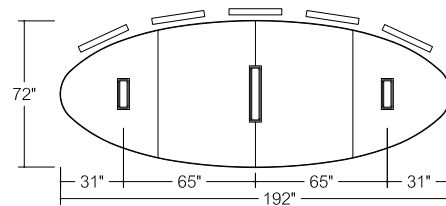
**02E60X156**  
8 Person Table



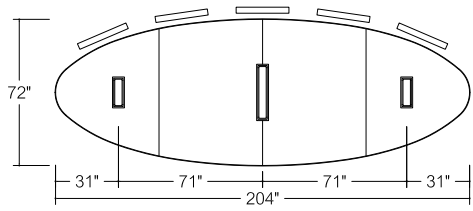
**02E60X168**  
8 Person Table



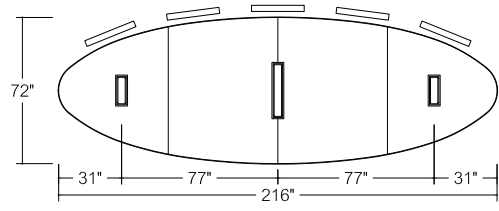
**02E72X180**  
8 Person Table



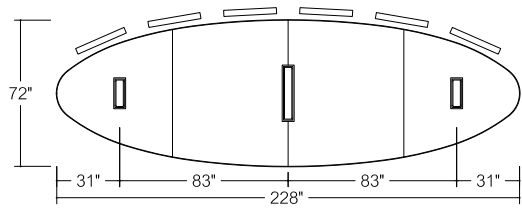
**02E72X192**  
10 Person Table



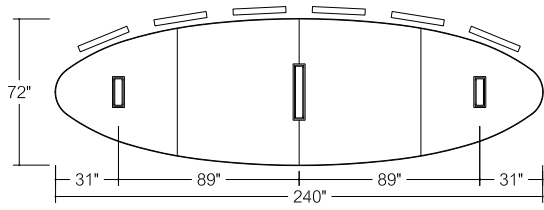
02E72X204  
10 Person Table



02E72X216  
10 Person Table



02E72X228  
12 Person Table

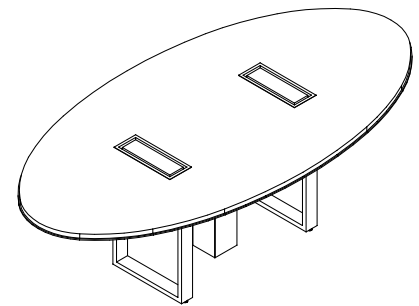


02E72X240  
12 Person Table

# Highline Elliptical Conference Table

48"x96" / 6 Person

02E48X96



Starting Price: **\$16,084**

48x96 table, veneer Tier 1 top with metal edge, open base, powder coat metal finish

Base Pattern Number: 02E48X96

## Step 1. Top Material

V	Veneer
G	Glass
C	Corian
Q	Caesarstone

## Step 2. Edge Selection

N__	No Edge
L__	Leather Edge
M__	Metal Edge

## Step 3. Base Type

BL	Base Loop	+0
----	-----------	----

## Step 4. Edge Finish

AU__	Spinneybeck Leather: Acqua	+2,322
MC__	Powder Coat	+0
PM01	Polished Chrome	+1,639
PM02	Satin Nickel	+1,639
PM03	Oil Rubbed Bronze	+3,655

## Step 5. Top Finish

T1__	Veneer Tier 1	+0
T2__	Veneer Tier 2	+812
GC__	Clear Glass, back painted	+5,292
GE__	Etched matte Glass, back painted	+6,350
CS01	Corian Glacier White	+8,467
QS__	Caesarstone	+16,758

## Step 6. Base Finish

MC__	Powder Coat	+0
PM01	Polished Chrome	+355
PM02	Satin Nickel	+355
PM03	Oil Rubbed Bronze	+695

## Step 7. Microphone and/or Grommet Accommodations: Optional

MA__	Microphone hole (factory cut)	Qty __ x 354 each
GM__	2" Grommet Hole (factory cut), liner, lid, in matching metal finish	Qty __ x 466 each

## Step 8. Power & Connectivity Access: Optional

TMHW	Tabletop, Metal lid, Hardwired, Qty 2	+8,260
TMPI	Tabletop, Metal lid, Plug In, Qty 2	+7,038
TMLK	Tabletop, Metal lid, Linkable, Qty 2	+6,004
UMHW	Undermount, Hardwired, Qty 4	+4,496
UMPI	Undermount, Plug In, Qty 4	+3,268
UMLK	Undermount, Linkable, Qty 4	+3,268
SOHW	Undermount Slide-out, Hardwired, Qty 4	+7,832
SOPI	Undermount Slide-out, Plug In, Qty 4	+6,644
SOLK	Undermount Slide-out, Linkable, Qty 4	+6,644

## Wire Management Column (sold separately)

Required with any technology selection

Pattern Number: 02WMC6X6	+250
Pattern Number: 02WMC10X10	+975

## Step 1. Metal Finish for Wire Management Column

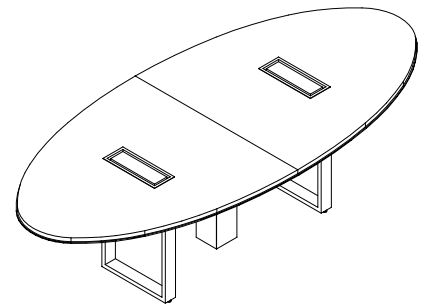
	6x6	10x10
MC__	Powder Coat	+0 +0
PM01	Polished Chrome	+1,175 +536
PM02	Satin Nickel	+1,175 +536
PM03	Oil Rubbed Bronze	+1,759 +2,448

Please consult [page 7](#) for the palette of DatesWeiser finishes. Natural stone, non-standard glass and veneer, and other technology options are available. Please email [customerservice@datesweiser.com](mailto:customerservice@datesweiser.com) for a custom quote. Consult technical information on [page 274](#) for construction details and technical information.

# Highline Elliptical Conference Table

48"x108"/ 6 Person

02E48X108



Starting Price: **\$16,605**

48x108 table, veneer Tier 1 top with metal edge, open base, powder coat metal finish

Base Pattern Number: 02E48X108

## Step 1. Top Material

V	Veneer
G	Glass
C	Corian
Q	Caesarstone

## Step 2. Edge Selection

N__	No Edge
L__	Leather Edge
M__	Metal Edge

## Step 3. Base Type

BL	Base Loop	+0
----	-----------	----

## Step 2. Edge Selection Finish

AU__	Spinneybeck Leather: Acqua	+2,537
MC__	Powder Coat	+0
PM01	Polished Chrome	+1,639
PM02	Satin Nickel	+1,639
PM03	Oil Rubbed Bronze	+4,193

## Step 5. Top Finish

T1__	Veneer Tier 1	+0
T2__	Veneer Tier 2	+912
GC__	Clear Glass, back painted	+5,953
GE__	Etched matte Glass, back painted	+7,144
CS01	Corian Glacier White	+9,525
QS__	Caesarstone	+18,852

## Step 6. Base Finish

MC__	Powder Coat	+0
PM01	Polished Chrome	+355
PM02	Satin Nickel	+355
PM03	Oil Rubbed Bronze	+695

## Step 7. Microphone and/or Grommet Accommodations: Optional

MA__	Microphone hole (factory cut)	Qty __ x 354 each
GM__	2" Grommet Hole (factory cut), liner, lid, in matching metal finish	Qty __ x 466 each

## Step 8. Power & Connectivity Access: Optional

TMHW	Tabletop, Metal lid, Hardwired, Qty 2	+8,260
TMPI	Tabletop, Metal lid, Plug In, Qty 2	+7,038
TMLK	Tabletop, Metal lid, Linkable, Qty 2	+6,004
UMHW	Undermount, Hardwired, Qty 4	+4,496
UMPI	Undermount, Plug In, Qty 4	+3,268
UMLK	Undermount, Linkable, Qty 4	+3,268
SOHW	Undermount Slide-out, Hardwired, Qty 4	+7,832
SOPI	Undermount Slide-out, Plug In, Qty 4	+6,644
SOLK	Undermount Slide-out, Linkable, Qty 4	+6,644

## Wire Management Column (sold separately)

Required with any technology selection

Pattern Number: 02WMC6X6	+250
Pattern Number: 02WMC10X10	+975

## Step 1. Metal Finish for Wire Management Column

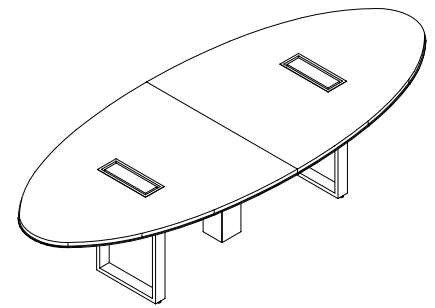
		6x6	10x10
MC__	Powder Coat	+0	+0
PM01	Polished Chrome	+1,175	+536
PM02	Satin Nickel	+1,175	+536
PM03	Oil Rubbed Bronze	+1,759	+2,448

Please consult [page 7](#) for the palette of DatesWeiser finishes. Natural stone, non-standard glass and veneer, and other technology options are available. Please email [customerservice@datesweiser.com](mailto:customerservice@datesweiser.com) for a custom quote. Consult technical information on [page 274](#) for construction details and technical information.

# Highline Elliptical Conference Table

48"x120"/ 6 Person

02E48X120



Starting Price: **\$17,699**

48x120 table, veneer Tier 1 top with metal edge, open base, powder coat metal finish

Base Pattern Number: 02E48X120

## Step 1. Top Material

V	Veneer
G	Glass
C	Corian
Q	Caesarstone

## Step 2. Edge Selection

N__	No Edge
L__	Leather Edge
M__	Metal Edge

## Step 3. Base Type

BL	Base Loop	+0
----	-----------	----

## Step 4. Edge Finish

AU__	Spinneybeck Leather: Acqua	+2,755
MC__	Powder Coat	+0
PM01	Polished Chrome	+1,660
PM02	Satin Nickel	+1,660
PM03	Oil Rubbed Bronze	+4,149

## Step 5. Top Finish

T1__	Veneer Tier 1	+0
T2__	Veneer Tier 2	+1,014
GC__	Clear Glass, back painted	+6,615
GE__	Etched matte Glass, back painted	+7,938
CS01	Corian Glacier White	+10,584
QS__	Caesarstone	+20,947

## Step 6. Base Finish

MC__	Powder Coat	+0
PM01	Polished Chrome	+355
PM02	Satin Nickel	+355
PM03	Oil Rubbed Bronze	+695

## Step 7. Microphone and/or Grommet Accommodations: Optional

MA__	Microphone hole (factory cut)	Qty __ x 354 each
GM__	2" Grommet Hole (factory cut), liner, lid, in matching metal finish	Qty __ x 466 each

## Step 8. Power & Connectivity Access: Optional

TMHW	Tabletop, Metal lid, Hardwired, Qty 2	+8,260
TMPI	Tabletop, Metal lid, Plug In, Qty 2	+7,038
TMLK	Tabletop, Metal lid, Linkable, Qty 2	+6,004
UMHW	Undermount, Hardwired, Qty 4	+4,496
UMPI	Undermount, Plug In, Qty 4	+3,268
UMLK	Undermount, Linkable, Qty 4	+3,268
SOHW	Undermount Slide-out, Hardwired, Qty 4	+7,832
SOPI	Undermount Slide-out, Plug In, Qty 4	+6,644
SOLK	Undermount Slide-out, Linkable, Qty 4	+6,644

## Wire Management Column (sold separately)

Required with any technology selection

Pattern Number: 02WMC6X6	+250
Pattern Number: 02WMC10X10	+975

## Step 1. Metal Finish for Wire Management Column

	6x6	10x10
MC__	Powder Coat	+0 +0
PM01	Polished Chrome	+1,175 +536
PM02	Satin Nickel	+1,175 +536
PM03	Oil Rubbed Bronze	+1,759 +2,448

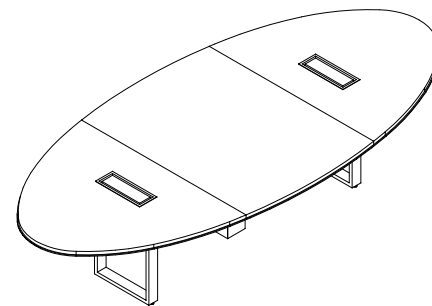
Please consult [page 7](#) for the palette of DatesWeiser finishes. Natural stone, non-standard glass and veneer, and other technology options are available. Please email [customerservice@datesweiser.com](mailto:customerservice@datesweiser.com) for a custom quote. Consult technical information on [page 274](#) for construction details and technical information.



# Highline Elliptical Conference Table

60"x132"/ 8 Person

02E60X132



Starting Price: **\$21,161**

60x132 table, veneer Tier 1 top with metal edge, open base, powder coat metal finish

Base Pattern Number: 02E60X132

## Step 1. Top Material

V	Veneer
G	Glass
C	Corian
Q	Caesarstone

## Step 2. Edge Selection

N__	No Edge
L__	Leather Edge
M__	Metal Edge

## Step 3. Base Type

BL	Base Loop	+0
----	-----------	----

## Step 4. Edge Finish

AU__	Spinneybeck Leather: Acqua	+3,113
MC__	Powder Coat	+0
PM01	Polished Chrome	+1,967
PM02	Satin Nickel	+2,967
PM03	Oil Rubbed Bronze	+5,030

## Step 5. Top Finish

T1__	Veneer Tier 1	+0
T2__	Veneer Tier 2	+1,394
GC__	Clear Glass, back painted	+9,095
GE__	Etched matte Glass, back painted	+10,914
CS01	Corian Glacier White	+14,553
QS__	Caesarstone	+28,802

## Step 6. Base Finish

MC__	Powder Coat	+0
PM01	Polished Chrome	+355
PM02	Satin Nickel	+355
PM03	Oil Rubbed Bronze	+695

## Step 7. Microphone and/or Grommet Accommodations: Optional

MA__	Microphone hole (factory cut)	Qty __ x 354 each
GM__	2" Grommet Hole (factory cut), liner, lid, in matching metal finish	Qty __ x 466 each

## Step 8. Power & Connectivity Access: Optional

TMHW	Tabletop, Metal lid, Hardwired, Qty 2	+8,260
TMPI	Tabletop, Metal lid, Plug In, Qty 2	+7,038
TMLK	Tabletop, Metal lid, Linkable, Qty 2	+6,004
UMHW	Undermount, Hardwired, Qty 4	+4,496
UMPI	Undermount, Plug In, Qty 4	+3,268
UMLK	Undermount, Linkable, Qty 4	+3,268
SOHW	Undermount Slide-out, Hardwired, Qty 4	+7,832
SOPI	Undermount Slide-out, Plug In, Qty 4	+6,644
SOLK	Undermount Slide-out, Linkable, Qty 4	+6,644

## Wire Management Column (sold separately)

Required with any technology selection

Pattern Number: 02WMC6X6	+250
Pattern Number: 02WMC10X10	+975

## Step 1. Metal Finish for Wire Management Column

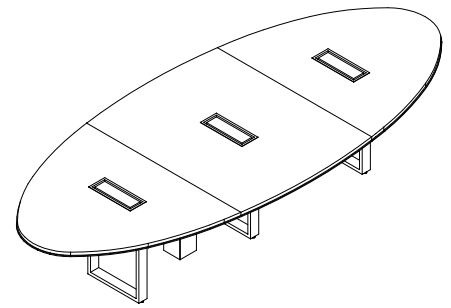
		6x6	10x10
MC__	Powder Coat	+0	+0
PM01	Polished Chrome	+1,175	+536
PM02	Satin Nickel	+1,175	+536
PM03	Oil Rubbed Bronze	+1,759	+2,448

Please consult [page 7](#) for the palette of DatesWeiser finishes. Natural stone, non-standard glass and veneer, and other technology options are available. Please email [customerservice@datesweiser.com](mailto:customerservice@datesweiser.com) for a custom quote. Consult technical information on [page 274](#) for construction details and technical information.

# Highline Elliptical Conference Table

60"x144"/ 8 Person

02E60X144



Starting Price: **\$23,211**

60x144 table, veneer Tier 1 top with metal edge, open base, powder coat metal finish

Base Pattern Number: 02E60X144

## Step 1. Top Material

V	Veneer
G	Glass
C	Corian
Q	Caesarstone

## Step 2. Edge Selection

N__	No Edge
L__	Leather Edge
M__	Metal Edge

## Step 3. Base Type

BL	Base Loop	+0
----	-----------	----

## Step 4. Edge Finish

AU__	Spinneybeck Leather: Acqua	+3,331
MC__	Powder Coat	+0
PM01	Polished Chrome	+1,967
PM02	Satin Nickel	+1,967
PM03	Oil Rubbed Bronze	+5,030

## Step 5. Top Finish

T1__	Veneer Tier 1	+0
T2__	Veneer Tier 2	+1,522
GC__	Clear Glass, back painted	+9,923
GE__	Etched matte Glass, back painted	+11,907
CS01	Corian Glacier White	+15,876
QS__	Caesarstone	+31,422

## Step 6. Base Finish

MC__	Powder Coat	+0
PM01	Polished Chrome	+532
PM02	Satin Nickel	+532
PM03	Oil Rubbed Bronze	+1,042

## Step 7. Microphone and/or Grommet Accommodations: Optional

MA__	Microphone hole (factory cut)	Qty __ x 354 each
GM__	2" Grommet Hole (factory cut), liner, lid, in matching metal finish	Qty __ x 466 each

## Step 8. Power & Connectivity Access: Optional

TMHW	Tabletop, Metal lid, Hardwired, Qty 3	+12,390
TMPI	Tabletop, Metal lid, Plug In, Qty 3	+10,557
TMLK	Tabletop, Metal lid, Linkable, Qty 3	+9,006
UMHW	Undermount, Hardwired, Qty 4	+4,496
UMPI	Undermount, Plug In, Qty 4	+3,268
UMLK	Undermount, Linkable, Qty 4	+3,268
SOHW	Undermount Slide-out, Hardwired, Qty 4	+7,832
SOPI	Undermount Slide-out, Plug In, Qty 4	+6,644
SOLK	Undermount Slide-out, Linkable, Qty 4	+6,644

## Wire Management Column (sold separately)

Required with any technology selection

Pattern Number: 02WMC6X6	+250
Pattern Number: 02WMC10X10	+975

## Step 1. Metal Finish for Wire Management Column

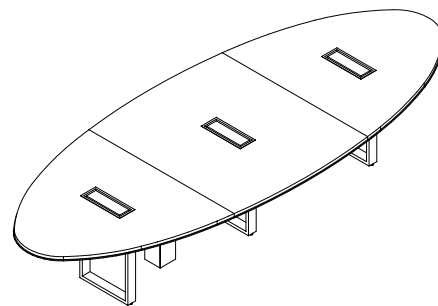
		6x6	10x10
MC__	Powder Coat	+0	+0
PM01	Polished Chrome	+1,175	+536
PM02	Satin Nickel	+1,175	+536
PM03	Oil Rubbed Bronze	+1,759	+2,448

Please consult [page 7](#) for the palette of DatesWeiser finishes. Natural stone, non-standard glass and veneer, and other technology options are available. Please email [customerservice@datesweiser.com](mailto:customerservice@datesweiser.com) for a custom quote. Consult technical information on [page 274](#) for construction details and technical information.

# Highline Elliptical Conference Table

60"x156"/ 8 Person

02E60X156



Starting Price: **\$24,036**

60x156 table, veneer Tier 1 top with metal edge, open base, powder coat metal finish

Base Pattern Number: 02E60X156

## Step 1. Top Material

V	Veneer
G	Glass
C	Corian
Q	Caesarstone

## Step 2. Edge Selection

N__	No Edge
L__	Leather Edge
M__	Metal Edge

## Step 3. Base Type

BL	Base Loop	+0
----	-----------	----

## Step 4. Edge Finish

AU__	Spinneybeck Leather: Acqua	+3,550
MC__	Powder Coat	+0
PM01	Polished Chrome	+1,968
PM02	Satin Nickel	+1,968
PM03	Oil Rubbed Bronze	+5,031

## Step 5. Top Finish

T1__	Veneer Tier 1	+0
T2__	Veneer Tier 2	+1,648
GC__	Clear Glass, back painted	+10,749
GE__	Etched matte Glass, back painted	+12,899
CS01	Corian Glacier White	+17,199
QS__	Caesarstone	+34,040

## Step 6. Base Finish

MC__	Powder Coat	+0
PM01	Polished Chrome	+532
PM02	Satin Nickel	+532
PM03	Oil Rubbed Bronze	+1,042

## Step 7. Microphone and/or Grommet Accommodations: Optional

MA__	Microphone hole (factory cut)	Qty __ x 354 each
GM__	2" Grommet Hole (factory cut), liner, lid, in matching metal finish	Qty __ x 466 each

## Step 8. Power & Connectivity Access: Optional

TMHW	Tabletop, Metal lid, Hardwired, Qty 3	+12,390
TMPI	Tabletop, Metal lid, Plug In, Qty 3	+10,557
TMLK	Tabletop, Metal lid, Linkable, Qty 3	+9,006
UMHW	Undermount, Hardwired, Qty 4	+4,496
UMPI	Undermount, Plug In, Qty 4	+3,268
UMLK	Undermount, Linkable, Qty 4	+3,268
SOHW	Undermount Slide-out, Hardwired, Qty 4	+7,832
SOPI	Undermount Slide-out, Plug In, Qty 4	+6,644
SOLK	Undermount Slide-out, Linkable, Qty 4	+6,644

## Wire Management Column (sold separately)

Required with any technology selection

Pattern Number: 02WMC6X6	+250
Pattern Number: 02WMC10X10	+975

## Step 1. Metal Finish for Wire Management Column

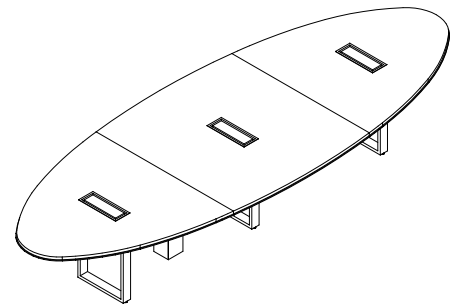
		6x6	10x10
MC__	Powder Coat	+0	+0
PM01	Polished Chrome	+1,175	+536
PM02	Satin Nickel	+1,175	+536
PM03	Oil Rubbed Bronze	+1,759	+2,448

Please consult [page 7](#) for the palette of DatesWeiser finishes. Natural stone, non-standard glass and veneer, and other technology options are available. Please email [customerservice@datesweiser.com](mailto:customerservice@datesweiser.com) for a custom quote. Consult technical information on [page 274](#) for construction details and technical information.

# Highline Elliptical Conference Table

60"x168"/ 8 Person

02E60X168



Starting Price: **\$25,715**

60x168 table, veneer Tier 1 top with metal edge, open base, powder coat metal finish

Base Pattern Number: 02E60X168

## Step 1. Top Material

V	Veneer
G	Glass
C	Corian
Q	Caesarstone

## Step 2. Edge Selection

N__	No Edge
L__	Leather Edge
M__	Metal Edge

## Step 3. Base Type

BL	Base Loop	+0
----	-----------	----

## Step 4. Edge Finish

AU__	Spinneybeck Leather: Acqua	+3,771
MC__	Powder Coat	+0
PM01	Polished Chrome	+2,000
PM02	Satin Nickel	+2,000
PM03	Oil Rubbed Bronze	+5,031

## Step 5. Top Finish

T1__	Veneer Tier 1	+0
T2__	Veneer Tier 2	+1,775
GC__	Clear Glass, back painted	+11,576
GE__	Etched matte Glass, back painted	+13,891
CS01	Corian Glacier White	+18,522
QS__	Caesarstone	+36,658

## Step 6. Base Finish

MC__	Powder Coat	+0
PM01	Polished Chrome	+532
PM02	Satin Nickel	+532
PM03	Oil Rubbed Bronze	+1,042

## Step 7. Microphone and/or Grommet Accommodations: Optional

MA__	Microphone hole (factory cut)	Qty __ x 354 each
GM__	2" Grommet Hole (factory cut), liner, lid, in matching metal finish	Qty __ x 466 each

## Step 8. Power & Connectivity Access: Optional

TMHW	Tabletop, Metal lid, Hardwired, Qty 3	+12,390
TMPI	Tabletop, Metal lid, Plug In, Qty 3	+10,557
TMLK	Tabletop, Metal lid, Linkable, Qty 3	+9,006
UMHW	Undermount, Hardwired, Qty 4	+4,496
UMPI	Undermount, Plug In, Qty 4	+3,268
UMLK	Undermount, Linkable, Qty 4	+3,268
SOHW	Undermount Slide-out, Hardwired, Qty 4	+7,832
SOPI	Undermount Slide-out, Plug In, Qty 4	+6,644
SOLK	Undermount Slide-out, Linkable, Qty 4	+6,644

## Wire Management Column (sold separately)

Required with any technology selection

Pattern Number: 02WMC6X6	+250
Pattern Number: 02WMC10X10	+975

## Step 1. Metal Finish for Wire Management Column

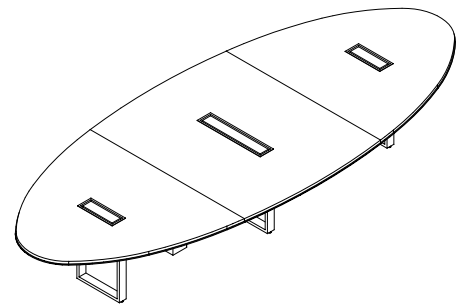
	6x6	10x10
MC__	Powder Coat	+0 +0
PM01	Polished Chrome	+1,175 +536
PM02	Satin Nickel	+1,175 +536
PM03	Oil Rubbed Bronze	+1,759 +2,448

Please consult [page 7](#) for the palette of DatesWeiser finishes. Natural stone, non-standard glass and veneer, and other technology options are available. Please email [customerservice@datesweiser.com](mailto:customerservice@datesweiser.com) for a custom quote. Consult technical information on [page 274](#) for construction details and technical information.

# Highline Elliptical Conference Table

72"x180"/ 10 Person

02E72X180



Starting Price: **\$30,356**

72x192 table, veneer Tier 1 top with metal edge, open base, powder coat metal finish

Base Pattern Number: 02E72X180

## Step 1. Top Material

V	Veneer
G	Glass
C	Corian
Q	Caesarstone

## Step 2. Edge Selection

N__	No Edge
L__	Leather Edge
M__	Metal Edge

## Step 3. Base Type

BL	Base Loop	+0
----	-----------	----

## Step 4. Edge Finish

AU__	Spinneybeck Leather: Acqua	+4,124
MC__	Powder Coat	+0
PM01	Polished Chrome	+2,055
PM02	Satin Nickel	+2,055
PM03	Oil Rubbed Bronze	+5,089

## Step 5. Top Finish

T1__	Veneer Tier 1	+0
T2__	Veneer Tier 2	+2,281
GC__	Clear Glass, back painted	+14,883
GE__	Etched matte Glass, back painted	+17,860
CS01	Corian Glacier White	+23,814
QS__	Caesarstone*	+47,131

## Step 6. Base Finish

MC__	Powder Coat	+0
PM01	Polished Chrome	+524
PM02	Satin Nickel	+524
PM03	Oil Rubbed Bronze	+1,277

## Step 7. Microphone and/or Grommet Accommodations: Optional

MA__	Microphone hole (factory cut)	Qty __ x 354 each
GM__	2" Grommet Hole (factory cut), liner, lid, in matching metal finish	Qty __ x 466 each

## Step 8. Power & Connectivity Access: Optional

TMHW	Tabletop, Metal lid, Hardwired, Qty 3	+12,390
TMPI	Tabletop, Metal lid, Plug In, Qty 3	+10,557
TMLK	Tabletop, Metal lid, Linkable, Qty 3	+9,006
UMHW	Undermount, Hardwired, Qty 4	+4,496
UMPI	Undermount, Plug In, Qty 4	+3,268
UMLK	Undermount, Linkable, Qty 4	+3,268
SOHW	Undermount Slide-out, Hardwired, Qty 4	+7,832
SOPI	Undermount Slide-out, Plug In, Qty 4	+6,644
SOLK	Undermount Slide-out, Linkable, Qty 4	+6,644

## Wire Management Column (sold separately)

Required with any technology selection

Pattern Number: 02WMC6X6	+250
Pattern Number: 02WMC10X10	+975

## Step 1. Metal Finish for Wire Management Column

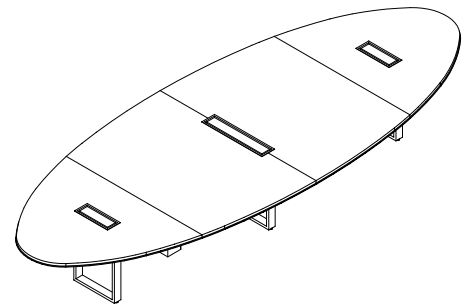
	6x6	10x10
MC__	Powder Coat	+0 +0
PM01	Polished Chrome	+1,175 +536
PM02	Satin Nickel	+1,175 +536
PM03	Oil Rubbed Bronze	+1,759 +2,448

Please consult [page 7](#) for the palette of DatesWeiser finishes. Natural stone, non-standard glass and veneer, and other technology options are available. Please email [customerservice@datesweiser.com](mailto:customerservice@datesweiser.com) for a custom quote. Consult technical information on [page 274](#) for construction details and technical information.

# Highline Elliptical Conference Table

72"x192"/ 10 Person

02E72X192



Starting Price: **\$32,389**

72x192 table, veneer Tier 1 top with metal edge, open base, powder coat metal finish

Base Pattern Number: 02E72X192

## Step 1. Top Material

V	Veneer
G	Glass
C	Corian
Q	Caesarstone

## Step 2. Edge Selection

N__	No Edge
L__	Leather Edge
M__	Metal Edge

## Step 3. Base Type

BL	Base Loop	+0
----	-----------	----

## Step 4. Edge Finish

AU__	Spinneybeck Leather: Acqua	+4,345
MC__	Powder Coat	+0
PM01	Polished Chrome	+2,494
PM02	Satin Nickel	+3,494
PM03	Oil Rubbed Bronze	+6,535

## Step 5. Top Finish

T1__	Veneer Tier 1	+0
T2__	Veneer Tier 2	+2,434
GC__	Clear Glass, back painted	+15,876
GE__	Etched matte Glass, back painted	+19,052
CS01	Corian Glacier White	+25,402
QS__	Caesarstone	+50,274

## Step 6. Base Finish

MC__	Powder Coat	+0
PM01	Polished Chrome	+524
PM02	Satin Nickel	+524
PM03	Oil Rubbed Bronze	+1,277

## Step 7. Microphone and/or Grommet Accommodations: Optional

MA__	Microphone hole (factory cut)	Qty __ x 354 each
GM__	2" Grommet Hole (factory cut), liner, lid, in matching metal finish	Qty __ x 466 each

## Step 8. Power & Connectivity Access: Optional

TMHW	Tabletop, Metal lid, Hardwired, Qty 3	+12,390
TMPI	Tabletop, Metal lid, Plug In, Qty 3	+10,557
TMLK	Tabletop, Metal lid, Linkable, Qty 3	+9,006
UMHW	Undermount, Hardwired, Qty 4	+4,496
UMPI	Undermount, Plug In, Qty 4	+3,268
UMLK	Undermount, Linkable, Qty 4	+3,268
SOHW	Undermount Slide-out, Hardwired, Qty 4	+7,832
SOP1	Undermount Slide-out, Plug In, Qty 4	+6,644
SOLK	Undermount Slide-out, Linkable, Qty 4	+6,644

## Wire Management Column (sold separately)

Required with any technology selection

Pattern Number: 02WMC6X6	+250
Pattern Number: 02WMC10X10	+975

## Step 1. Metal Finish for Wire Management Column

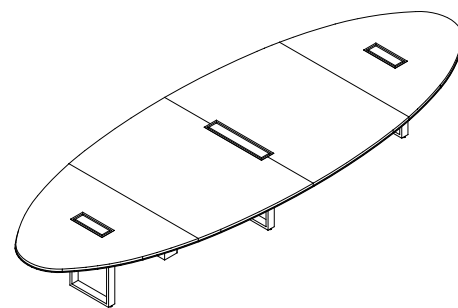
		6x6	10x10
MC__	Powder Coat	+0	+0
PM01	Polished Chrome	+1,175	+536
PM02	Satin Nickel	+1,175	+536
PM03	Oil Rubbed Bronze	+1,759	+2,448

Please consult [page 7](#) for the palette of DatesWeiser finishes. Natural stone, non-standard glass and veneer, and other technology options are available. Please email [customerservice@datesweiser.com](mailto:customerservice@datesweiser.com) for a custom quote. Consult technical information on [page 274](#) for construction details and technical information.

# Highline Elliptical Conference Table

72"x204"/ 10 Person

02E72X204



Starting Price: **\$33,470**

72x204 table, veneer Tier 1 top with metal edge, open base, powder coat metal finish

Base Pattern Number: 02E72X204

## Step 1. Top Material

V	Veneer
G	Glass
C	Corian
Q	Caesarstone

## Step 2. Edge Selection

N__	No Edge
L__	Leather Edge
M__	Metal Edge

## Step 3. Base Type

BL	Base Loop	+0
----	-----------	----

## Step 4. Edge Finish

AU__	Spinneybeck Leather: Acqua	+4,566
MC__	Powder Coat	+0
PM01	Polished Chrome	+2,494
PM02	Satin Nickel	+2,494
PM03	Oil Rubbed Bronze	+6,535

## Step 5. Top Finish

T1__	Veneer Tier 1	+0
T2__	Veneer Tier 2	+2,586
GC__	Clear Glass, back painted	+16,868
GE__	Etched matte Glass, back painted	+20,242
CS01	Corian Glacier White	+26,989
QS__	Caesarstone	+53,415

## Step 6. Base Finish

MC__	Powder Coat	+0
PM01	Polished Chrome	+524
PM02	Satin Nickel	+524
PM03	Oil Rubbed Bronze	+1,277

## Step 7. Microphone and/or Grommet Accommodations: Optional

MA__	Microphone hole (factory cut)	Qty __ x 354 each
GM__	2" Grommet Hole (factory cut), liner, lid, in matching metal finish	Qty __ x 466 each

## Step 8. Power & Connectivity Access: Optional

TMHW	Tabletop, Metal lid, Hardwired, Qty 3	+12,390
TMPI	Tabletop, Metal lid, Plug In, Qty 3	+10,557
TMLK	Tabletop, Metal lid, Linkable, Qty 3	+9,006
UMHW	Undermount, Hardwired, Qty 4	+4,496
UMPI	Undermount, Plug In, Qty 4	+3,268
UMLK	Undermount, Linkable, Qty 4	+3,268
SOHW	Undermount Slide-out, Hardwired, Qty 4	+7,832
SOP1	Undermount Slide-out, Plug In, Qty 4	+6,644
SOLK	Undermount Slide-out, Linkable, Qty 4	+6,644

## Wire Management Column (sold separately)

Required with any technology selection

Pattern Number: 02WMC6X6	+250
Pattern Number: 02WMC10X10	+975

## Step 1. Metal Finish for Wire Management Column

		6x6	10x10
MC__	Powder Coat	+0	+0
PM01	Polished Chrome	+1,175	+536
PM02	Satin Nickel	+1,175	+536
PM03	Oil Rubbed Bronze	+1,759	+2,448

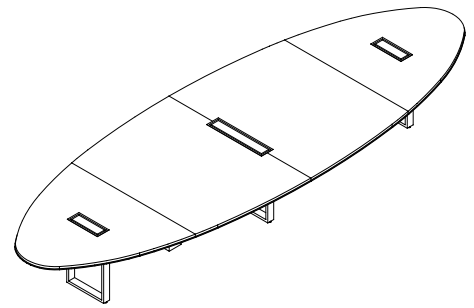
Please consult [page 7](#) for the palette of DatesWeiser finishes. Natural stone, non-standard glass and veneer, and other technology options are available. Please email [customerservice@datesweiser.com](mailto:customerservice@datesweiser.com) for a custom quote. Consult technical information on [page 274](#) for construction details and technical information.



# Highline Elliptical Conference Table

72"x216"/ 10 Person

02E72X216



Starting Price: **\$35,207**

72x216 table, veneer Tier 1 top with metal edge, open base, powder coat metal finish

Base Pattern Number: 02E72X216

## Step 1. Top Material

V	Veneer
G	Glass
C	Corian
Q	Caesarstone

## Step 2. Edge Selection

N__	No Edge
L__	Leather Edge
M__	Metal Edge

## Step 3. Base Type

BL	Base Loop	+0
----	-----------	----

## Step 4. Edge Finish

AU__	Spinneybeck Leather: Acqua	+4,788
MC__	Powder Coat	+0
PM01	Polished Chrome	+2,494
PM02	Satin Nickel	+2,494
PM03	Oil Rubbed Bronze	+6,535

## Step 5. Top Finish

T1__	Veneer Tier 1	+0
T2__	Veneer Tier 2	+2,738
GC__	Clear Glass, back painted	+17,860
GE__	Etched matte Glass, back painted	+21,432
CS01	Corian Glacier White	+28,576
QS__	Caesarstone	+56,558

## Step 6. Base Finish

MC__	Powder Coat	+0
PM01	Polished Chrome	+524
PM02	Satin Nickel	+524
PM03	Oil Rubbed Bronze	+1,277

## Step 7. Microphone and/or Grommet Accommodations: Optional

MA__	Microphone hole (factory cut)	Qty __ x 354 each
GM__	2" Grommet Hole (factory cut), liner, lid, in matching metal finish	Qty __ x 466 each

## Step 8. Power & Connectivity Access: Optional

TMHW	Tabletop, Metal lid, Hardwired, Qty 3	+12,390
TMPI	Tabletop, Metal lid, Plug In, Qty 3	+10,557
TMLK	Tabletop, Metal lid, Linkable, Qty 3	+9,006
UMHW	Undermount, Hardwired, Qty 4	+4,496
UMPI	Undermount, Plug In, Qty 4	+3,268
UMLK	Undermount, Linkable, Qty 4	+3,268
SOHW	Undermount Slide-out, Hardwired, Qty 4	+7,832
SOPI	Undermount Slide-out, Plug In, Qty 4	+6,644
SOLK	Undermount Slide-out, Linkable, Qty 4	+6,644

## Wire Management Column (sold separately)

Required with any technology selection

Pattern Number: 02WMC6X6	+250
Pattern Number: 02WMC10X10	+975

## Step 1. Metal Finish for Wire Management Column

	6x6	10x10
MC__	Powder Coat	+0 +0
PM01	Polished Chrome	+1,175 +536
PM02	Satin Nickel	+1,175 +536
PM03	Oil Rubbed Bronze	+1,759 +2,448

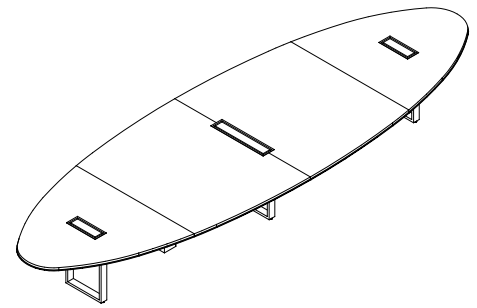
Please consult [page 7](#) for the palette of DatesWeiser finishes. Natural stone, non-standard glass and veneer, and other technology options are available. Please email [customerservice@datesweiser.com](mailto:customerservice@datesweiser.com) for a custom quote. Consult technical information on [page 274](#) for construction details and technical information.



# Highline Elliptical Conference Table

72"x228"/ 12 Person

02E72X228



Starting Price: **\$35,780**

72x228 table, veneer Tier 1 top with metal edge, open base, powder coat metal finish

Base Pattern Number: 02E72X228

## Step 1. Top Material

V	Veneer
G	Glass
C	Corian
Q	Caesarstone

## Step 2. Edge Selection

N__	No Edge
L__	Leather Edge
M__	Metal Edge

## Step 3. Base Type

BL	Base Loop	+0
----	-----------	----

## Step 4. Edge Finish

AU__	Spinneybeck Leather: Acqua	+5,012
MC__	Powder Coat	+0
PM01	Polished Chrome	+2,537
PM02	Satin Nickel	+2,537
PM03	Oil Rubbed Bronze	+6,578

## Step 5. Top Finish

T1__	Veneer Tier 1	+0
T2__	Veneer Tier 2	+2,890
GC__	Clear Glass, back painted	+18,853
GE__	Etched matte Glass, back painted	+22,623
CS01	Corian Glacier White	+30,164
Q__	Caesarstone*	+59,700

## Step 6. Base Finish

MC__	Powder Coat	+0
PM01	Polished Chrome	+524
PM02	Satin Nickel	+524
PM03	Oil Rubbed Bronze	+1,277

## Step 7. Microphone and/or Grommet Accommodations: Optional

MA__	Microphone hole (factory cut)	Qty __ x 354 each
GM__	2" Grommet Hole (factory cut), liner, lid, in matching metal finish	Qty __ x 466 each

## Step 8. Power & Connectivity Access: Optional

TMHW	Tabletop, Metal lid, Hardwired, Qty 3	+13,505
TMPI	Tabletop, Metal lid, Plug In, Qty 3	+11,670
TMLK	Tabletop, Metal lid, Linkable, Qty 3	+10,636
UMHW	Undermount, Hardwired, Qty 6	+6,744
UMPI	Undermount, Plug In, Qty 6	+4,902
UMLK	Undermount, Linkable, Qty 6	+4,902
SOHW	Undermount Slide-out, Hardwired, Qty 6	+11,748
SOPI	Undermount Slide-out, Plug In, Qty 6	+9,966
SOLK	Undermount Slide-out, Linkable, Qty 6	+9,966

## Wire Management Column (sold separately)

Required with any technology selection

Pattern Number: 02WMC6X6	+250
Pattern Number: 02WMC10X10	+975

## Step 1. Metal Finish for Wire Management Column

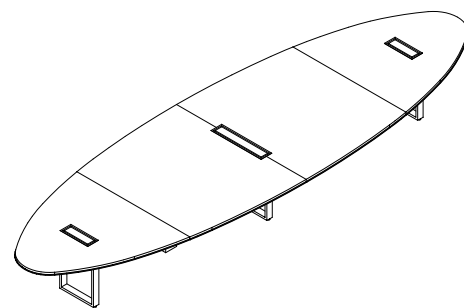
	6x6	10x10
MC__	Powder Coat	+0 +0
PM01	Polished Chrome	+1,175 +536
PM02	Satin Nickel	+1,175 +536
PM03	Oil Rubbed Bronze	+1,759 +2,448

Please consult [page 7](#) for the palette of DatesWeiser finishes. Natural stone, non-standard glass and veneer, and other technology options are available. Please email [customerservice@datesweiser.com](mailto:customerservice@datesweiser.com) for a custom quote. Consult technical information on [page 274](#) for construction details and technical information.

# Highline Elliptical Conference Table

72"x240"/ 20 Person

02E72X240



Starting Price: **\$38,078**

72x240 table, veneer Tier 1 top with metal edge, open base, powder coat metal finish

Base Pattern Number: 02E72X240

## Step 1. Top Material

V	Veneer
G	Glass
C	Corian
Q	Caesarstone

## Step 2. Edge Selection

N__	No Edge
L__	Leather Edge
M__	Metal Edge

## Step 3. Base Type

BL	Base Loop	+0
----	-----------	----

## Step 4. Edge Finish

AU__	Spinneybeck Leather: Acqua	+5,237
MC__	Powder Coat	+0
PM01	Polished Chrome	+2,537
PM02	Satin Nickel	+2,537
PM03	Oil Rubbed Bronze	+6,578

## Step 5. Top Finish

T1__	Veneer Tier 1	+0
T2__	Veneer Tier 2	+3,043
GC__	Clear Glass, back painted	+19,845
GE__	Etched matte Glass, back painted	+23,814
CS01	Corian Glacier White	+31,752
QS__	Caesarstone*	+62,843

## Step 6. Base Finish

MC__	Powder Coat	+0
PM01	Polished Chrome	+524
PM02	Satin Nickel	+524
PM03	Oil Rubbed Bronze	+1,277

## Step 7. Microphone and/or Grommet Accommodations: Optional

MA__	Microphone hole (factory cut)	Qty __ x 354 each
GM__	2" Grommet Hole (factory cut), liner, lid, in matching metal finish	Qty __ x 466 each

## Step 8. Power & Connectivity Access: Optional

TMHW	Tabletop, Metal lid, Hardwired, Qty 3	+13,505
TMPI	Tabletop, Metal lid, Plug In, Qty 3	+11,670
TMLK	Tabletop, Metal lid, Linkable, Qty 3	+10,636
UMHW	Undermount, Hardwired, Qty 6	+6,744
UMPI	Undermount, Plug In, Qty 6	+4,902
UMLK	Undermount, Linkable, Qty 6	+4,902
SOHW	Undermount Slide-out, Hardwired, Qty 6	+11,748
SOPI	Undermount Slide-out, Plug In, Qty 6	+9,966
SOLK	Undermount Slide-out, Linkable, Qty 6	+9,966

## Wire Management Column (sold separately)

Required with any technology selection

Pattern Number: 02WMC6X6	+250
Pattern Number: 02WMC10X10	+975

## Step 1. Metal Finish for Wire Management Column

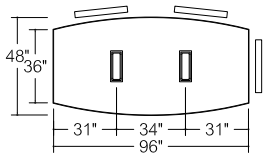
		6x6	10x10
MC__	Powder Coat	+0	+0
PM01	Polished Chrome	+1,175	+536
PM02	Satin Nickel	+1,175	+536
PM03	Oil Rubbed Bronze	+1,759	+2,448

Please consult [page 7](#) for the palette of DatesWeiser finishes. Natural stone, non-standard glass and veneer, and other technology options are available. Please email [customerservice@datesweiser.com](mailto:customerservice@datesweiser.com) for a custom quote. Consult technical information on [page 274](#) for construction details and technical information.

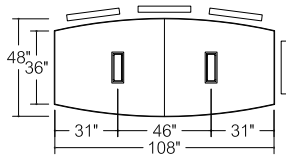


# Highline Boat Shaped Tables Index

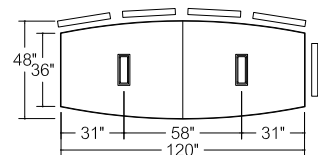
48"-72" width



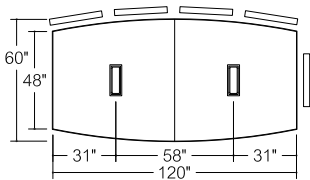
**02B48X96**  
6 Person Table



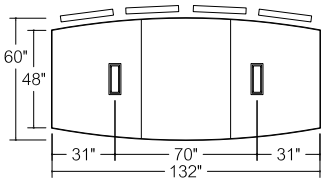
**02B48X108**  
8 Person Table



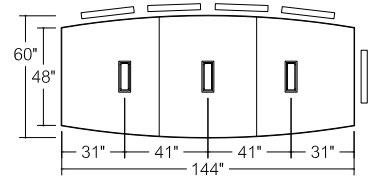
**02B48X120**  
10 Person Table



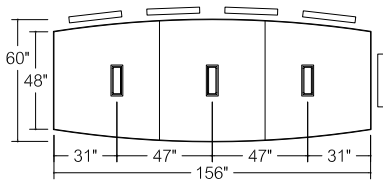
**02B60X120**  
10 Person Table



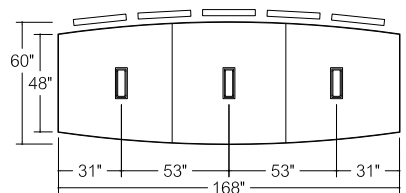
**02B60X132**  
10 Person Table



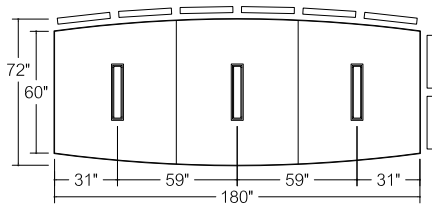
**02B60X144**  
10 Person Table



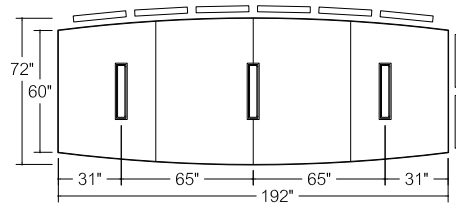
**02B60X156**  
10 Person Table



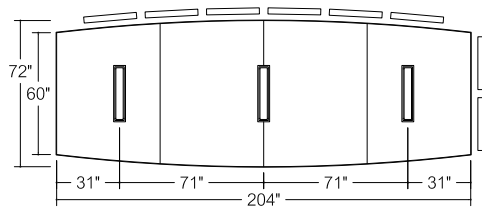
**02B60X168**  
12 Person Table



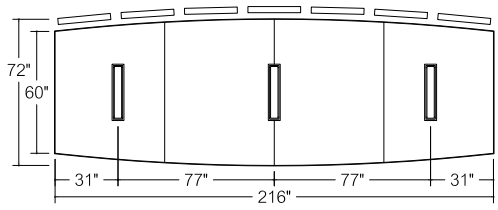
02B72X180  
16 Person Table



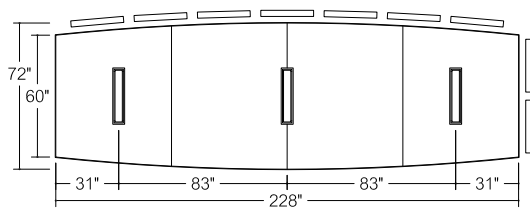
02B72X192  
16 Person Table



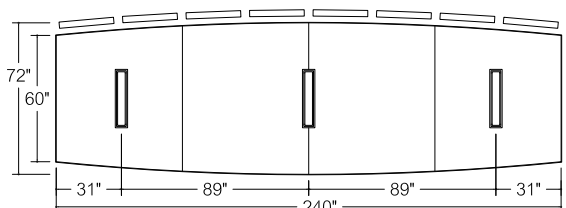
02B72X204  
16 Person Table



02B72X216  
18 Person Table



02B72X228  
18 Person Table

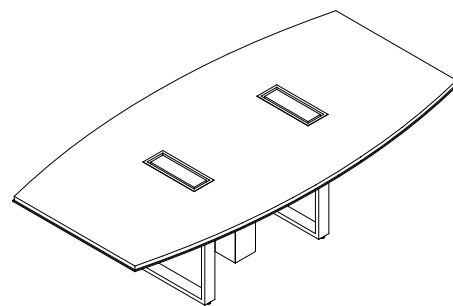


02B72X240  
20 Person Table

# Highline Boat Conference Table

48"x96" / 6 Person

02B48X96



Starting Price: **\$17,221**

48/36x96 table, veneer Tier 1 top with metal edge, open base, powder coat metal finish

Base Pattern Number: 02B48X96

## Step 1. Top Material

V	Veneer
G	Glass
C	Corian
Q	Caesarstone

## Step 2. Edge Selection

N__	No Edge
L__	Leather Edge
M__	Metal Edge

## Step 3. Base Type

BL	Base Loop	+0
----	-----------	----

## Step 4. Edge Finish

AU__	Spinneybeck Leather: Acqua	+2,660
MC__	Powder Coat	+0
PM01	Polished Chrome	+1,988
PM02	Satin Nickel	+1,988
PM03	Oil Rubbed Bronze	+5,030

## Step 5. Top Finish

T1__	Veneer Tier 1	+0
T2__	Veneer Tier 2	+812
GC__	Clear Glass, back painted	+5,292
GE__	Etched matte Glass, back painted	+6,350
CS01	Corian Glacier White	+8,467
QS__	Caesarstone	+16,758

## Step 6. Base Finish

MC__	Powder Coat	+0
PM01	Polished Chrome	+355
PM02	Satin Nickel	+355
PM03	Oil Rubbed Bronze	+695

## Step 7. Microphone and/or Grommet Accommodations: Optional

MA__	Microphone hole (factory cut)	Qty __ x 354 each
GM__	2" Grommet Hole (factory cut), liner, lid, in matching metal finish	Qty __ x 466 each

## Step 8. Power & Connectivity Access: Optional

TMHW	Tabletop, Metal lid, Hardwired, Qty 2	+8,260
TMPI	Tabletop, Metal lid, Plug In, Qty 2	+7,038
TMLK	Tabletop, Metal lid, Linkable, Qty 2	+6,004
UMHW	Undermount, Hardwired, Qty 4	+4,496
UMPI	Undermount, Plug In, Qty 4	+3,268
UMLK	Undermount, Linkable, Qty 4	+3,268
SOHW	Undermount Slide-out, Hardwired, Qty 4	+7,832
SOPI	Undermount Slide-out, Plug In, Qty 4	+6,644
SOLK	Undermount Slide-out, Linkable, Qty 4	+6,644

## Wire Management Column (sold separately)

Required with any technology selection

Pattern Number: 02WMC6X6	+250
Pattern Number: 02WMC10X10	+975

## Step 1. Metal Finish for Wire Management Column

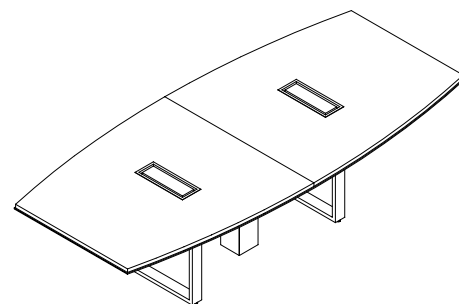
		6x6	10x10
MC__	Powder Coat	+0	+0
PM01	Polished Chrome	+1,175	+536
PM02	Satin Nickel	+1,175	+536
PM03	Oil Rubbed Bronze	+1,759	+2,448

Please consult [page 7](#) for the palette of DatesWeiser finishes. Natural stone, non-standard glass and veneer, and other technology options are available. Please email [customerservice@datesweiser.com](mailto:customerservice@datesweiser.com) for a custom quote. Consult technical information on [page 274](#) for construction details and technical information.

# Highline Boat Conference Table

48"x108"/ 8 Person

02B48X108



Starting Price: **\$17,730**

48/36x108 table, veneer Tier 1 top with metal edge, open base, powder coat metal finish

Base Pattern Number: 02B48X108

## Step 1. Top Material

V	Veneer
G	Glass
C	Corian
Q	Caesarstone

## Step 2. Edge Selection

N__	No Edge
L__	Leather Edge
M__	Metal Edge

## Step 3. Base Type

BL	Base Loop	+0
----	-----------	----

## Step 4. Edge Finish

AU__	Spinneybeck Leather: Acqua	+2,897
MC__	Powder Coat	+0
PM01	Polished Chrome	+1,988
PM02	Satin Nickel	+1,988
PM03	Oil Rubbed Bronze	+5,031

## Step 5. Top Finish

T1__	Veneer Tier 1	+0
T2__	Veneer Tier 2	+914
GC__	Clear Glass, back painted	+5,954
GE__	Etched matte Glass, back painted	+7,145
CS01	Corian Glacier White	+9,526
QS__	Caesarstone	+18,853

## Step 6. Base Finish

MC__	Powder Coat	+0
PM01	Polished Chrome	+355
PM02	Satin Nickel	+355
PM03	Oil Rubbed Bronze	+695

## Step 7. Microphone and/or Grommet Accommodations: Optional

MA__	Microphone hole (factory cut)	Qty __ x 354 each
GM__	2" Grommet Hole (factory cut), liner, lid, in matching metal finish	Qty __ x 466 each

## Step 8. Power & Connectivity Access: Optional

TMHW	Tabletop, Metal lid, Hardwired, Qty 2	+8,260
TMPI	Tabletop, Metal lid, Plug In, Qty 2	+7,038
TMLK	Tabletop, Metal lid, Linkable, Qty 2	+6,004
UMHW	Undermount, Hardwired, Qty 4	+4,496
UMPI	Undermount, Plug In, Qty 4	+3,268
UMLK	Undermount, Linkable, Qty 4	+3,268
SOHW	Undermount Slide-out, Hardwired, Qty 4	+7,832
SOP1	Undermount Slide-out, Plug In, Qty 4	+6,644
SOLK	Undermount Slide-out, Linkable, Qty 4	+6,644

## Wire Management Column (sold separately)

Required with any technology selection

Pattern Number: 02WMC6X6	+250
Pattern Number: 02WMC10X10	+975

## Step 1. Metal Finish for Wire Management Column

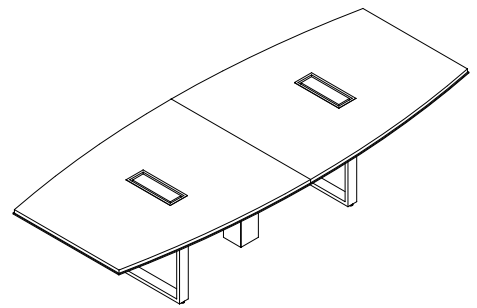
		6x6	10x10
MC__	Powder Coat	+0	+0
PM01	Polished Chrome	+1,175	+536
PM02	Satin Nickel	+1,175	+536
PM03	Oil Rubbed Bronze	+1,759	+2,448

Please consult [page 7](#) for the palette of DatesWeiser finishes. Natural stone, non-standard glass and veneer, and other technology options are available. Please email [customerservice@datesweiser.com](mailto:customerservice@datesweiser.com) for a custom quote. Consult technical information on [page 274](#) for construction details and technical information.

# Highline Boat Conference Table

48"x120"/ 10 Person

02B48X120



Starting Price: **\$18,835**

48/36x120 table, veneer Tier 1 top with metal edge, open base, powder coat metal finish

Base Pattern Number: 02B48X120

## Step 1. Top Material

V	Veneer
G	Glass
C	Corian
Q	Caesarstone

## Step 2. Edge Selection

N__	No Edge
L__	Leather Edge
M__	Metal Edge

## Step 3. Base Type

BL	Base Loop	+0
----	-----------	----

## Step 4. Edge Finish

AU__	Spinneybeck Leather: Acqua	+3,131
MC__	Powder Coat	+0
PM01	Polished Chrome	+1,996
PM02	Satin Nickel	+1,996
PM03	Oil Rubbed Bronze	+5,041

## Step 5. Top Finish

T1__	Veneer Tier 1	+0
T2__	Veneer Tier 2	+1,014
GC__	Clear Glass, back painted	+6,615
GE__	Etched matte Glass, back painted	+7,938
CS01	Corian Glacier White	+10,584
QS__	Caesarstone	+20,947

## Step 6. Base Finish

MC__	Powder Coat	+0
PM01	Polished Chrome	+355
PM02	Satin Nickel	+355
PM03	Oil Rubbed Bronze	+695

## Step 7. Microphone and/or Grommet Accommodations: Optional

MA__	Microphone hole (factory cut)	Qty __ x 354 each
GM__	2" Grommet Hole (factory cut), liner, lid, in matching metal finish	Qty __ x 466 each

## Step 8. Power & Connectivity Access: Optional

TMHW	Tabletop, Metal lid, Hardwired, Qty 2	+8,260
TMPI	Tabletop, Metal lid, Plug In, Qty 2	+7,038
TMLK	Tabletop, Metal lid, Linkable, Qty 2	+6,004
UMHW	Undermount, Hardwired, Qty 4	+4,496
UMPI	Undermount, Plug In, Qty 4	+3,268
UMLK	Undermount, Linkable, Qty 4	+3,268
SOHW	Undermount Slide-out, Hardwired, Qty 4	+7,832
SOPI	Undermount Slide-out, Plug In, Qty 4	+6,644
SOLK	Undermount Slide-out, Linkable, Qty 4	+6,644

## Wire Management Column (sold separately)

Required with any technology selection

Pattern Number: 02WMC6X6	+250
Pattern Number: 02WMC10X10	+975

## Step 1. Metal Finish for Wire Management Column

		6x6	10x10
MC__	Powder Coat	+0	+0
PM01	Polished Chrome	+1,175	+536
PM02	Satin Nickel	+1,175	+536
PM03	Oil Rubbed Bronze	+1,759	+2,448

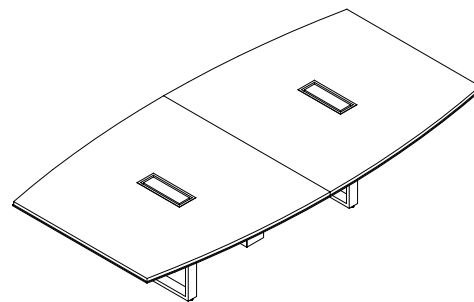
Please consult [page 7](#) for the palette of DatesWeiser finishes. Natural stone, non-standard glass and veneer, and other technology options are available. Please email [customerservice@datesweiser.com](mailto:customerservice@datesweiser.com) for a custom quote. Consult technical information on [page 274](#) for construction details and technical information.



# Highline Boat Conference Table

60"x120"/ 10 Person

02B60X120



Starting Price: **\$19,051**

60/48 x120 table, veneer Tier 1 top with metal edge, open base, powder coat metal finish

Base Pattern Number: 02B60X120

## Step 1. Top Material

V	Veneer
G	Glass
C	Corian
Q	Caesarstone

## Step 2. Edge Selection

N__	No Edge
L__	Leather Edge
M__	Metal Edge

## Step 3. Base Type

BL	Base Loop	+0
----	-----------	----

## Step 4. Edge Finish

AU__	Spinneybeck Leather: Acqua	+3,369
MC__	Powder Coat	+0
PM01	Polished Chrome	+1,996
PM02	Satin Nickel	+1,996
PM03	Oil Rubbed Bronze	+5,041

## Step 5. Top Finish

T1__	Veneer Tier 1	+0
T2__	Veneer Tier 2	+1,269
GC__	Clear Glass, back painted	+8,269
GE__	Etched matte Glass, back painted	+9,923
CS01	Corian Glacier White	+13,230
QS__	Caesarstone	+26,185

## Step 6. Base Finish

MC__	Powder Coat	+0
PM01	Polished Chrome	+337
PM02	Satin Nickel	+337
PM03	Oil Rubbed Bronze	+1,164

## Step 7. Microphone and/or Grommet Accommodations: Optional

MA__	Microphone hole (factory cut)	Qty __ x 354 each
GM__	2" Grommet Hole (factory cut), liner, lid, in matching metal finish	Qty __ x 466 each

## Step 8. Power & Connectivity Access: Optional

TMHW	Tabletop, Metal lid, Hardwired, Qty 2	+8,260
TMPI	Tabletop, Metal lid, Plug In, Qty 2	+7,038
TMLK	Tabletop, Metal lid, Linkable, Qty 2	+6,004
UMHW	Undermount, Hardwired, Qty 4	+4,496
UMPI	Undermount, Plug In, Qty 4	+3,268
UMLK	Undermount, Linkable, Qty 4	+3,268
SOHW	Undermount Slide-out, Hardwired, Qty 4	+7,832
SOPI	Undermount Slide-out, Plug In, Qty 4	+6,644
SOLK	Undermount Slide-out, Linkable, Qty 4	+6,644

## Wire Management Column (sold separately)

Required with any technology selection

Pattern Number: 02WMC6X6	+250
Pattern Number: 02WMC10X10	+975

## Step 1. Metal Finish for Wire Management Column

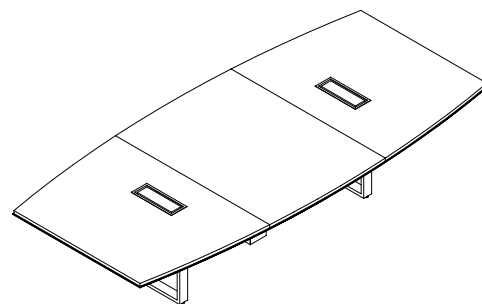
		6x6	10x10
MC__	Powder Coat	+0	+0
PM01	Polished Chrome	+1,175	+536
PM02	Satin Nickel	+1,175	+536
PM03	Oil Rubbed Bronze	+1,759	+2,448

Please consult [page 7](#) for the palette of DatesWeiser finishes. Natural stone, non-standard glass and veneer, and other technology options are available. Please email [customerservice@datesweiser.com](mailto:customerservice@datesweiser.com) for a custom quote. Consult technical information on [page 274](#) for construction details and technical information.

# Highline Boat Conference Table

60"x132"/ 10 Person

02B60X132



Starting Price: **\$22,377**

60/48x132 table, veneer Tier 1 top with metal edge, open base, powder coat metal finish

Base Pattern Number: 02B60X132

## Step 1. Top Material

V	Veneer
G	Glass
C	Corian
Q	Caesarstone

## Step 2. Edge Selection

N__	No Edge
L__	Leather Edge
M__	Metal Edge

## Step 3. Base Type

BL	Base Loop	+0
----	-----------	----

## Step 4. Edge Finish

AU__	Spinneybeck Leather: Acqua	+3,607
MC__	Powder Coat	+0
PM01	Polished Chrome	+2,687
PM02	Satin Nickel	+2,687
PM03	Oil Rubbed Bronze	+6,707

## Step 5. Top Finish

T1__	Veneer Tier 1	+0
T2__	Veneer Tier 2	+1,394
GC__	Clear Glass, back painted	+9,095
GE__	Etched matte Glass, back painted	+10,914
CS01	Corian Glacier White	+14,553
QS__	Caesarstone	+28,802

## Step 6. Base Finish

MC__	Powder Coat	+0
PM01	Polished Chrome	+337
PM02	Satin Nickel	+337
PM03	Oil Rubbed Bronze	+1,164

## Step 7. Microphone and/or Grommet Accommodations: Optional

MA__	Microphone hole (factory cut)	Qty __ x 354 each
GM__	2" Grommet Hole (factory cut), liner, lid, in matching metal finish	Qty __ x 466 each

## Step 8. Power & Connectivity Access: Optional

TMHW	Tabletop, Metal lid, Hardwired, Qty 2	+8,260
TMPI	Tabletop, Metal lid, Plug In, Qty 2	+7,038
TMLK	Tabletop, Metal lid, Linkable, Qty 2	+6,004
UMHW	Undermount, Hardwired, Qty 4	+4,496
UMPI	Undermount, Plug In, Qty 4	+3,268
UMLK	Undermount, Linkable, Qty 4	+3,268
SOHW	Undermount Slide-out, Hardwired, Qty 4	+7,832
SOPI	Undermount Slide-out, Plug In, Qty 4	+6,644
SOLK	Undermount Slide-out, Linkable, Qty 4	+6,644

## Wire Management Column (sold separately)

Required with any technology selection

Pattern Number: 02WMC6X6	+250
Pattern Number: 02WMC10X10	+975

## Step 1. Metal Finish for Wire Management Column

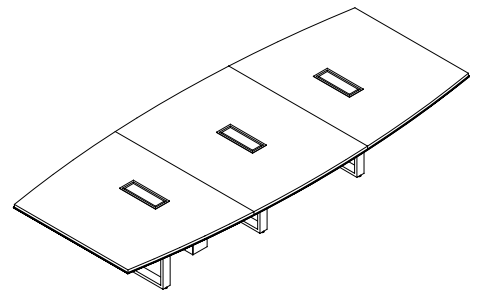
	6x6	10x10
MC__	Powder Coat	+0 +0
PM01	Polished Chrome	+1,175 +536
PM02	Satin Nickel	+1,175 +536
PM03	Oil Rubbed Bronze	+1,759 +2,448

Please consult [page 7](#) for the palette of DatesWeiser finishes. Natural stone, non-standard glass and veneer, and other technology options are available. Please email [customerservice@datesweiser.com](mailto:customerservice@datesweiser.com) for a custom quote. Consult technical information on [page 274](#) for construction details and technical information.

# Highline Boat Conference Table

60"x144"/ 10 Person

02B60X144



Starting Price: **\$25,049**

60/48x144 table, veneer Tier 1 top with metal edge, open base, powder coat metal finish

Base Pattern Number: 02B60X144

## Step 1. Top Material

V	Veneer
G	Glass
C	Corian
Q	Caesarstone

## Step 2. Edge Selection

N__	No Edge
L__	Leather Edge
M__	Metal Edge

## Step 3. Base Type

BL	Base Loop	+0
----	-----------	----

## Step 4. Edge Finish

AU__	Spinneybeck Leather: Acqua	+3,844
MC__	Powder Coat	+0
PM01	Polished Chrome	+2,623
PM02	Satin Nickel	+2,623
PM03	Oil Rubbed Bronze	+6,707

## Step 5. Top Finish

T1__	Veneer Tier 1	+0
T2__	Veneer Tier 2	+1,521
GC__	Clear Glass, back painted	+9,922
GE__	Etched matte Glass, back painted	+11,907
CS01	Corian Glacier White	+15,876
QS__	Caesarstone	+31,421

## Step 6. Base Finish

MC__	Powder Coat	+0
PM01	Polished Chrome	+506
PM02	Satin Nickel	+506
PM03	Oil Rubbed Bronze	+1,746

## Step 7. Microphone and/or Grommet Accommodations: Optional

MA__	Microphone hole (factory cut)	Qty __ x 354 each
GM__	2" Grommet Hole (factory cut), liner, lid, in matching metal finish	Qty __ x 466 each

## Step 8. Power & Connectivity Access: Optional

TMHW	Tabletop, Metal lid, Hardwired, Qty 3	+12,390
TMPI	Tabletop, Metal lid, Plug In, Qty 3	+10,557
TMLK	Tabletop, Metal lid, Linkable, Qty 3	+9,006
UMHW	Undermount, Hardwired, Qty 6	+6,744
UMPI	Undermount, Plug In, Qty 6	+4,902
UMLK	Undermount, Linkable, Qty 6	+4,902
SOHW	Undermount Slide-out, Hardwired, Qty 6	+11,748
SOPI	Undermount Slide-out, Plug In, Qty 6	+9,966
SOLK	Undermount Slide-out, Linkable, Qty 6	+9,966

## Wire Management Column (sold separately)

Required with any technology selection

Pattern Number: 02WMC6X6	+250
Pattern Number: 02WMC10X10	+975

## Step 1. Metal Finish for Wire Management Column

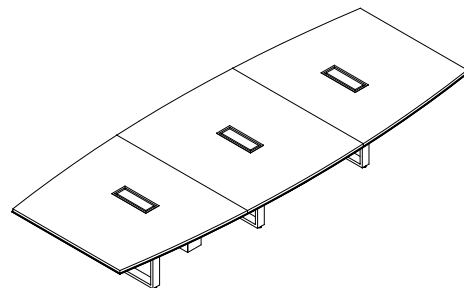
		6x6	10x10
MC__	Powder Coat	+0	+0
PM01	Polished Chrome	+1,175	+536
PM02	Satin Nickel	+1,175	+536
PM03	Oil Rubbed Bronze	+1,759	+2,448

Please consult [page 7](#) for the palette of DatesWeiser finishes. Natural stone, non-standard glass and veneer, and other technology options are available. Please email [customerservice@datesweiser.com](mailto:customerservice@datesweiser.com) for a custom quote. Consult technical information on [page 274](#) for construction details and technical information.

# Highline Boat Conference Table

60"x156"/ 10 Person

02B60X156



Starting Price: **\$25,874**

60/48x156 table, veneer Tier 1 top with metal edge, open base, powder coat metal finish

Base Pattern Number: 02B60X156

## Step 1. Top Material

V	Veneer
G	Glass
C	Corian
Q	Caesarstone

## Step 2. Edge Selection

N__	No Edge
L__	Leather Edge
M__	Metal Edge

## Step 3. Base Type

BL	Base Loop	+0
----	-----------	----

## Step 4. Edge Finish

AU__	Spinneybeck Leather: Acqua	+4,080
MC__	Powder Coat	+0
PM01	Polished Chrome	+2,622
PM02	Satin Nickel	+2,622
PM03	Oil Rubbed Bronze	+6,706

## Step 5. Top Finish

T1__	Veneer Tier 1	+0
T2__	Veneer Tier 2	+1,649
GC__	Clear Glass, back painted	+10,750
GE__	Etched matte Glass, back painted	+12,899
CS01	Corian Glacier White	+17,199
QS__	Caesarstone	+34,040

## Step 6. Base Finish

MC__	Powder Coat	+0
PM01	Polished Chrome	+506
PM02	Satin Nickel	+506
PM03	Oil Rubbed Bronze	+1,746

## Step 7. Microphone and/or Grommet Accommodations: Optional

MA__	Microphone hole (factory cut)	Qty __ x 354 each
GM__	2" Grommet Hole (factory cut), liner, lid, in matching metal finish	Qty __ x 466 each

## Step 8. Power & Connectivity Access: Optional

TMHW	Tabletop, Metal lid, Hardwired, Qty 3	+12,390
TMPI	Tabletop, Metal lid, Plug In, Qty 3	+10,557
TMLK	Tabletop, Metal lid, Linkable, Qty 3	+9,006
UMHW	Undermount, Hardwired, Qty 6	+6,744
UMPI	Undermount, Plug In, Qty 6	+4,902
UMLK	Undermount, Linkable, Qty 6	+4,902
SOHW	Undermount Slide-out, Hardwired, Qty 6	+11,748
SOPI	Undermount Slide-out, Plug In, Qty 6	+9,966
SOLK	Undermount Slide-out, Linkable, Qty 6	+9,966

## Wire Management Column (sold separately)

Required with any technology selection

Pattern Number: 02WMC6X6	+250
Pattern Number: 02WMC10X10	+975

## Step 1. Metal Finish for Wire Management Column

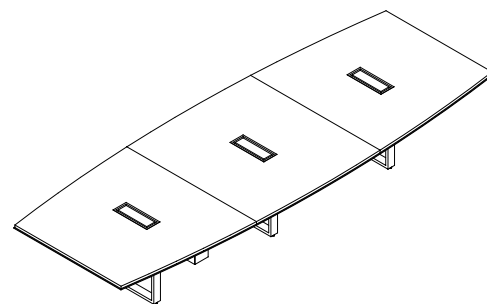
		6x6	10x10
MC__	Powder Coat	+0	+0
PM01	Polished Chrome	+1,175	+536
PM02	Satin Nickel	+1,175	+536
PM03	Oil Rubbed Bronze	+1,759	+2,448

Please consult [page 7](#) for the palette of DatesWeiser finishes. Natural stone, non-standard glass and veneer, and other technology options are available. Please email [customerservice@datesweiser.com](mailto:customerservice@datesweiser.com) for a custom quote. Consult technical information on [page 274](#) for construction details and technical information.

# Highline Boat Conference Table

60"x168"/ 12 Person

02B60X168



Starting Price: **\$27,553**

60/48x168 table, veneer Tier 1 top with metal edge, open base, powder coat metal finish

Base Pattern Number: 02B60X168

## Step 1. Top Material

V	Veneer
G	Glass
C	Corian
Q	Caesarstone

## Step 2. Edge Selection

N__	No Edge
L__	Leather Edge
M__	Metal Edge

## Step 3. Base Type

BL	Base Loop	+0
----	-----------	----

## Step 4. Edge Finish

AU__	Spinneybeck Leather: Acqua	+4,319
MC__	Powder Coat	+0
PM01	Polished Chrome	+2,654
PM02	Satin Nickel	+2,654
PM03	Oil Rubbed Bronze	+6,707

## Step 5. Top Finish

T1__	Veneer Tier 1	+0
T2__	Veneer Tier 2	+1,775
GC__	Clear Glass, back painted	+11,576
GE__	Etched matte Glass, back painted	+13,892
CS01	Corian Glacier White	+18,522
QS__	Caesarstone	+36,658

## Step 6. Base Finish

MC__	Powder Coat	+0
PM01	Polished Chrome	+506
PM02	Satin Nickel	+506
PM03	Oil Rubbed Bronze	+1,746

## Step 7. Microphone and/or Grommet Accommodations: Optional

MA__	Microphone hole (factory cut)	Qty __ x 354 each
GM__	2" Grommet Hole (factory cut), liner, lid, in matching metal finish	Qty __ x 466 each

## Step 8. Power & Connectivity Access: Optional

TMHW	Tabletop, Metal lid, Hardwired, Qty 3	+12,390
TMPI	Tabletop, Metal lid, Plug In, Qty 3	+10,557
TMLK	Tabletop, Metal lid, Linkable, Qty 3	+9,006
UMHW	Undermount, Hardwired, Qty 6	+6,744
UMPI	Undermount, Plug In, Qty 6	+4,902
UMLK	Undermount, Linkable, Qty 6	+4,902
SOHW	Undermount Slide-out, Hardwired, Qty 6	+11,748
SOP1	Undermount Slide-out, Plug In, Qty 6	+9,966
SOLK	Undermount Slide-out, Linkable, Qty 6	+9,966

## Wire Management Column (sold separately)

Required with any technology selection

Pattern Number: 02WMC6X6	+250
Pattern Number: 02WMC10X10	+975

## Step 1. Metal Finish for Wire Management Column

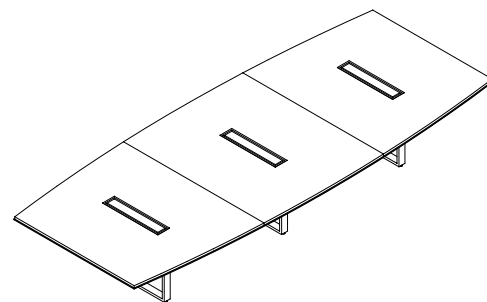
		6x6	10x10
MC__	Powder Coat	+0	+0
PM01	Polished Chrome	+1,175	+536
PM02	Satin Nickel	+1,175	+536
PM03	Oil Rubbed Bronze	+1,759	+2,448

Please consult [page 7](#) for the palette of DatesWeiser finishes. Natural stone, non-standard glass and veneer, and other technology options are available. Please email [customerservice@datesweiser.com](mailto:customerservice@datesweiser.com) for a custom quote. Consult technical information on [page 274](#) for construction details and technical information.

# Highline Boat Conference Table

72"x180"/ 16 Person

02B72X180



Starting Price: **\$32,849**

72/60x180 table, veneer Tier 1 top with metal edge, open base, powder coat metal finish

Base Pattern Number: 02B72X180

## Step 1. Top Material

V	Veneer
G	Glass
C	Corian
Q	Caesarstone

## Step 2. Edge Selection

N__	No Edge
L__	Leather Edge
M__	Metal Edge

## Step 3. Base Type

BL	Base Loop	+0
----	-----------	----

## Step 4. Edge Finish

AU__	Spinneybeck Leather: Acqua	+4,792
MC__	Powder Coat	+0
PM01	Polished Chrome	+2,666
PM02	Satin Nickel	+2,666
PM03	Oil Rubbed Bronze	+6,707

## Step 5. Top Finish

T1__	Veneer Tier 1	+0
T2__	Veneer Tier 2	+2,282
GC__	Clear Glass, back painted	+14,884
GE__	Etched matte Glass, back painted	+17,861
CS01	Corian Glacier White	+23,814
QS__	Caesarstone*	+47,132

## Step 6. Base Finish

MC__	Powder Coat	+0
PM01	Polished Chrome	+506
PM02	Satin Nickel	+506
PM03	Oil Rubbed Bronze	+1,746

## Step 7. Microphone and/or Grommet Accommodations: Optional

MA__	Microphone hole (factory cut)	Qty __ x 354 each
GM__	2" Grommet Hole (factory cut), liner, lid, in matching metal finish	Qty __ x 466 each

## Step 8. Power & Connectivity Access: Optional

TMHW	Tabletop, Metal lid, Hardwired, Qty 3	+15,735
TMPI	Tabletop, Metal lid, Plug In, Qty 3	+13,896
TMLK	Tabletop, Metal lid, Linkable, Qty 3	+13,896
UMHW	Undermount, Hardwired, Qty 8	+8,992
UMPI	Undermount, Plug In, Qty 8	+6,536
UMLK	Undermount, Linkable, Qty 8	+6,436
SOHW	Undermount Slide-out, Hardwired, Qty 8	+15,664
SOPI	Undermount Slide-out, Plug In, Qty 8	+13,288
SOLK	Undermount Slide-out, Linkable, Qty 8	+13,288

## Wire Management Column (sold separately)

Required with any technology selection

Pattern Number: 02WMC6X6	+250
Pattern Number: 02WMC10X10	+975

## Step 1. Metal Finish for Wire Management Column

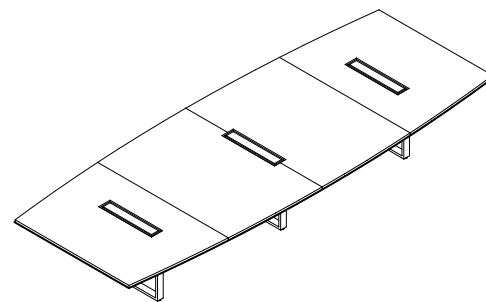
		6x6	10x10
MC__	Powder Coat	+0	+0
PM01	Polished Chrome	+1,175	+536
PM02	Satin Nickel	+1,175	+536
PM03	Oil Rubbed Bronze	+1,759	+2,448

Please consult [page 7](#) for the palette of DatesWeiser finishes. Natural stone, non-standard glass and veneer, and other technology options are available. Please email [customerservice@datesweiser.com](mailto:customerservice@datesweiser.com) for a custom quote. Consult technical information on [page 274](#) for construction details and technical information.

# Highline Boat Conference Table

72"x192"/ 16 Person

02B72X192



Starting Price: **\$34,677**

72/60x192 table, veneer Tier 1 top with metal edge, open base, powder coat metal finish

Base Pattern Number: 02B72X192

## Step 1. Top Material

V	Veneer
G	Glass
C	Corian
Q	Caesarstone

## Step 2. Edge Selection

N__	No Edge
L__	Leather Edge
M__	Metal Edge

## Step 3. Base Type

BL	Base Loop	+0
----	-----------	----

## Step 4. Edge Finish

AU__	Spinneybeck Leather: Acqua	+5,031
MC__	Powder Coat	+0
PM01	Polished Chrome	+3,129
PM02	Satin Nickel	+3,129
PM03	Oil Rubbed Bronze	+8,181

## Step 5. Top Finish

T1__	Veneer Tier 1	+0
T2__	Veneer Tier 2	+2,434
GC__	Clear Glass, back painted	+15,876
GE__	Etched matte Glass, back painted	+19,052
CS01	Corian Glacier White	+25,402
QS__	Caesarstone	+50,274

## Step 6. Base Finish

MC__	Powder Coat	+0
PM01	Polished Chrome	+506
PM02	Satin Nickel	+506
PM03	Oil Rubbed Bronze	+1,746

## Step 7. Microphone and/or Grommet Accommodations: Optional

MA__	Microphone hole (factory cut)	Qty __ x 354 each
GM__	2" Grommet Hole (factory cut), liner, lid, in matching metal finish	Qty __ x 466 each

## Step 8. Power & Connectivity Access: Optional

TMHW	Tabletop, Metal lid, Hardwired, Qty 3	+15,735
TMPI	Tabletop, Metal lid, Plug In, Qty 3	+13,896
TMLK	Tabletop, Metal lid, Linkable, Qty 3	+13,896
UMHW	Undermount, Hardwired, Qty 8	+8,992
UMPI	Undermount, Plug In, Qty 8	+6,536
UMLK	Undermount, Linkable, Qty 8	+6,436
SOHW	Undermount Slide-out, Hardwired, Qty 8	+15,664
SOPI	Undermount Slide-out, Plug In, Qty 8	+13,288
SOLK	Undermount Slide-out, Linkable, Qty 8	+13,288

## Wire Management Column (sold separately)

Required with any technology selection

Pattern Number: 02WMC6X6	+250
Pattern Number: 02WMC10X10	+975

## Step 1. Metal Finish for Wire Management Column

		6x6	10x10
MC__	Powder Coat	+0	+0
PM01	Polished Chrome	+1,175	+536
PM02	Satin Nickel	+1,175	+536
PM03	Oil Rubbed Bronze	+1,759	+2,448

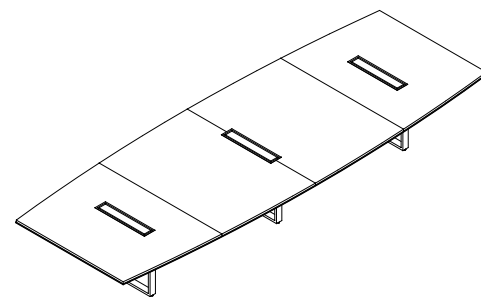
Please consult [page 7](#) for the palette of DatesWeiser finishes. Natural stone, non-standard glass and veneer, and other technology options are available. Please email [customerservice@datesweiser.com](mailto:customerservice@datesweiser.com) for a custom quote. Consult technical information on [page 274](#) for construction details and technical information.



# Highline Boat Conference Table

72"x204"/ 16 Person

02B72X204



Starting Price: **\$35,747**

72/60x204 table, veneer Tier 1 top with metal edge, open base, powder coat metal finish

Base Pattern Number: 02B72X204

## Step 1. Top Material

V	Veneer
G	Glass
C	Corian
Q	Caesarstone

## Step 2. Edge Selection

N__	No Edge
L__	Leather Edge
M__	Metal Edge

## Step 3. Base Type

BL	Base Loop	+0
----	-----------	----

## Step 4. Edge Finish

AU__	Spinneybeck Leather: Acqua	+5,269
MC__	Powder Coat	+0
PM01	Polished Chrome	+3,129
PM02	Satin Nickel	+3,129
PM03	Oil Rubbed Bronze	+8,181

## Step 5. Top Finish

T1__	Veneer Tier 1	+0
T2__	Veneer Tier 2	+2,587
GC__	Clear Glass, back painted	+16,869
GE__	Etched matte Glass, back painted	+20,242
CS01	Corian Glacier White	+26,989
QS__	Caesarstone	+53,417

## Step 6. Base Finish

MC__	Powder Coat	+0
PM01	Polished Chrome	+506
PM02	Satin Nickel	+506
PM03	Oil Rubbed Bronze	+1,746

## Step 7. Microphone and/or Grommet Accommodations: Optional

MA__	Microphone hole (factory cut)	Qty __ x 354 each
GM__	2" Grommet Hole (factory cut), liner, lid, in matching metal finish	Qty __ x 466 each

## Step 8. Power & Connectivity Access: Optional

TMHW	Tabletop, Metal lid, Hardwired, Qty 3	+15,735
TMPI	Tabletop, Metal lid, Plug In, Qty 3	+13,896
TMLK	Tabletop, Metal lid, Linkable, Qty 3	+13,896
UMHW	Undermount, Hardwired, Qty 8	+8,992
UMPI	Undermount, Plug In, Qty 8	+6,536
UMLK	Undermount, Linkable, Qty 8	+6,436
SOHW	Undermount Slide-out, Hardwired, Qty 8	+15,664
SOPI	Undermount Slide-out, Plug In, Qty 8	+13,288
SOLK	Undermount Slide-out, Linkable, Qty 8	+13,288

## Wire Management Column (sold separately)

Required with any technology selection

Pattern Number: 02WMC6X6	+250
Pattern Number: 02WMC10X10	+975

## Step 1. Metal Finish for Wire Management Column

		6x6	10x10
MC__	Powder Coat	+0	+0
PM01	Polished Chrome	+1,175	+536
PM02	Satin Nickel	+1,175	+536
PM03	Oil Rubbed Bronze	+1,759	+2,448

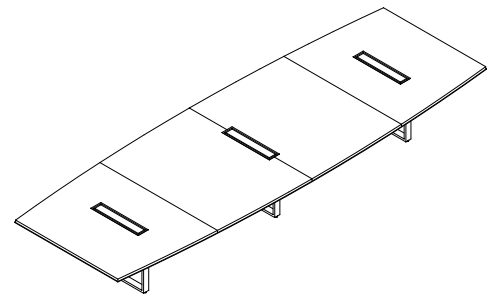
Please consult [page 7](#) for the palette of DatesWeiser finishes. Natural stone, non-standard glass and veneer, and other technology options are available. Please email [customerservice@datesweiser.com](mailto:customerservice@datesweiser.com) for a custom quote. Consult technical information on [page 274](#) for construction details and technical information.



# Highline Boat Conference Table

72"x216"/ 18 Person

02B72X216



Starting Price: **\$37,484**

72/60x216 table, veneer Tier 1 top with metal edge, open base, powder coat metal finish

Base Pattern Number: 02B72X216

## Step 1. Top Material

V	Veneer
G	Glass
C	Corian
Q	Caesarstone

## Step 2. Edge Selection

N__	No Edge
L__	Leather Edge
M__	Metal Edge

## Step 3. Base Type

BL	Base Loop	+0
----	-----------	----

## Step 4. Edge Finish

AU__	Spinneybeck Leather: Acqua	+5,505
MC__	Powder Coat	+0
PM01	Polished Chrome	+3,129
PM02	Satin Nickel	+3,129
PM03	Oil Rubbed Bronze	+8,224

## Step 5. Top Finish

T1__	Veneer Tier 1	+0
T2__	Veneer Tier 2	+2,738
GC__	Clear Glass, back painted	+17,860
GE__	Etched matte Glass, back painted	+21,433
CS01	Corian Glacier White	+28,577
QS__	Caesarstone	+56,558

## Step 6. Base Finish

MC__	Powder Coat	+0
PM01	Polished Chrome	+506
PM02	Satin Nickel	+506
PM03	Oil Rubbed Bronze	+1,746

## Step 7. Microphone and/or Grommet Accommodations: Optional

MA__	Microphone hole (factory cut)	Qty __ x 354 each
GM__	2" Grommet Hole (factory cut), liner, lid, in matching metal finish	Qty __ x 466 each

## Step 8. Power & Connectivity Access: Optional

TMHW	Tabletop, Metal lid, Hardwired, Qty 3	+15,735
TMPI	Tabletop, Metal lid, Plug In, Qty 3	+13,896
TMLK	Tabletop, Metal lid, Linkable, Qty 3	+13,896
UMHW	Undermount, Hardwired, Qty 8	+8,992
UMPI	Undermount, Plug In, Qty 8	+6,536
UMLK	Undermount, Linkable, Qty 8	+6,436
SOHW	Undermount Slide-out, Hardwired, Qty 8	+15,664
SOPH	Undermount Slide-out, Plug In, Qty 8	+13,288
SOLK	Undermount Slide-out, Linkable, Qty 8	+13,288

## Wire Management Column (sold separately)

Required with any technology selection

Pattern Number: 02WMC6X6	+250
Pattern Number: 02WMC10X10	+975

## Step 1. Metal Finish for Wire Management Column

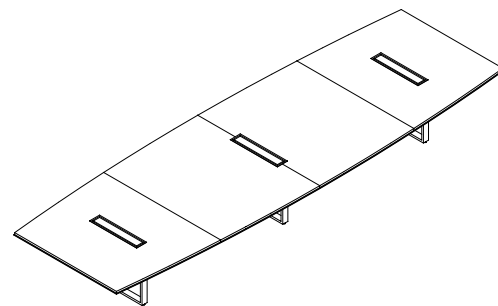
		6x6	10x10
MC__	Powder Coat	+0	+0
PM01	Polished Chrome	+1,175	+536
PM02	Satin Nickel	+1,175	+536
PM03	Oil Rubbed Bronze	+1,759	+2,448

Please consult [page 7](#) for the palette of DatesWeiser finishes. Natural stone, non-standard glass and veneer, and other technology options are available. Please email [customerservice@datesweiser.com](mailto:customerservice@datesweiser.com) for a custom quote. Consult technical information on [page 274](#) for construction details and technical information.

# Highline Boat Conference Table

72"x228"/ 18 Person

02B72X228



Starting Price: **\$38,057**

72/60x228 table, veneer Tier 1 top with metal edge, open base, powder coat metal finish

Base Pattern Number: 02B72X228

## Step 1. Top Material

V	Veneer
G	Glass
C	Corian
Q	Caesarstone

## Step 2. Edge Selection

N__	No Edge
L__	Leather Edge
M__	Metal Edge

## Step 3. Base Type

BL	Base Loop	+0
----	-----------	----

## Step 4. Edge Finish

AU__	Spinneybeck Leather: Acqua	+5,742
MC__	Powder Coat	+0
PM01	Polished Chrome	+3,172
PM02	Satin Nickel	+3,172
PM03	Oil Rubbed Bronze	+8,224

## Step 5. Top Finish

T1__	Veneer Tier 1	+0
T2__	Veneer Tier 2	+2,891
GC__	Clear Glass, back painted	+18,853
GE__	Etched matte Glass, back painted	+22,624
CS01	Corian Glacier White	+30,165
QS__	Caesarstone*	+59,700

## Step 6. Base Finish

MC__	Powder Coat	+0
PM01	Polished Chrome	+506
PM02	Satin Nickel	+506
PM03	Oil Rubbed Bronze	+1,746

## Step 7. Microphone and/or Grommet Accommodations: Optional

MA__	Microphone hole (factory cut)	Qty__ x 337 each
GM__	2" Grommet Hole (factory cut), liner, lid, in matching metal finish	Qty__ x 444 each

## Step 8. Power & Connectivity Access: Optional

TMHW	Tabletop, Metal lid, Hardwired, Qty 3	+14,985
TMPI	Tabletop, Metal lid, Plug In, Qty 3	+13,233
TMLK	Tabletop, Metal lid, Linkable, Qty 3	+13,233
UMHW	Undermount, Hardwired, Qty 8	+8,560
UMPI	Undermount, Plug In, Qty 8	+6,224
UMLK	Undermount, Linkable, Qty 8	+6,224
SOHW	Undermount Slide-out, Hardwired, Qty 8	+14,920
SOP1	Undermount Slide-out, Plug In, Qty 8	+12,656
SOLK	Undermount Slide-out, Linkable, Qty 8	+12,656

## Wire Management Column (sold separately)

Required with any technology selection

Pattern Number: 02WMC6X6	238
Pattern Number: 02WMC10X10	929

## Step 1. Metal Finish for Wire Management Column

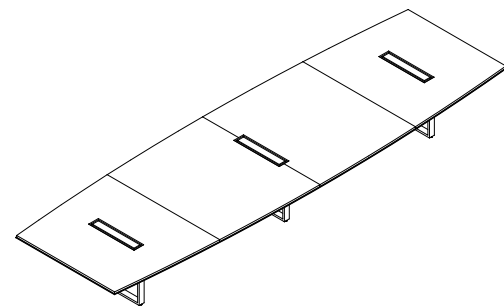
MC__	Powder Coat	+0	+0
PM01	Polished Chrome	+1,119	+510
PM02	Satin Nickel	+1,119	+510
PM03	Oil Rubbed Bronze	+1,675	+2,331

Please consult [page 7](#) for the palette of DatesWeiser finishes. Natural stone, non-standard glass and veneer, and other technology options are available. Please email [customerservice@datesweiser.com](mailto:customerservice@datesweiser.com) for a custom quote. Consult technical information on [page 274](#) for construction details and technical information.

# Highline Boat Conference Table

72"x240"/ 20 Person

02B72X240



Starting Price: **\$40,356**

72/60x240 table, veneer Tier 1 top with metal edge, open base, powder coat metal finish

Base Pattern Number: 02B72X240

## Step 1. Top Material

V	Veneer
G	Glass
C	Corian
Q	Caesarstone

## Step 2. Edge Selection

N__	No Edge
L__	Leather Edge
M__	Metal Edge

## Step 3. Base Type

BL	Base Loop	+0
----	-----------	----

## Step 4. Edge Finish

AU__	Spinneybeck Leather: Acqua	+5,981
MC__	Powder Coat	+0
PM01	Polished Chrome	+3,172
PM02	Satin Nickel	+3,172
PM03	Oil Rubbed Bronze	+8,224

## Step 5. Top Finish

T1__	Veneer Tier 1	+0
T2__	Veneer Tier 2	+3,043
GC__	Clear Glass, back painted	+19,845
GE__	Etched matte Glass, back painted	+23,814
CS01	Corian Glacier White	+31,751
QS__	Caesarstone*	+62,842

## Step 6. Base Finish

MC__	Powder Coat	+0
PM01	Polished Chrome	+506
PM02	Satin Nickel	+506
PM03	Oil Rubbed Bronze	+1,746

## Step 7. Microphone and/or Grommet Accommodations: Optional

MA__	Microphone hole (factory cut)	Qty __ x 354 each
GM__	2" Grommet Hole (factory cut), liner, lid, in matching metal finish	Qty __ x 466 each

## Step 8. Power & Connectivity Access: Optional

TMHW	Tabletop, Metal lid, Hardwired, Qty 3	+15,735
TMPI	Tabletop, Metal lid, Plug In, Qty 3	+13,896
TMLK	Tabletop, Metal lid, Linkable, Qty 3	+13,896
UMHW	Undermount, Hardwired, Qty 10	+11,240
UMPI	Undermount, Plug In, Qty 10	+8,170
UMLK	Undermount, Linkable, Qty 10	+8,170
SOHW	Undermount Slide-out, Hardwired, Qty 10	+19,580
SOP1	Undermount Slide-out, Plug In, Qty 10	+16,610
SOLK	Undermount Slide-out, Linkable, Qty 10	+16,610

## Wire Management Column (sold separately)

Required with any technology selection

Pattern Number: 02WMC6X6	+250
Pattern Number: 02WMC10X10	+975

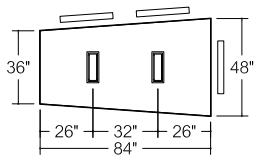
## Step 1. Metal Finish for Wire Management Column

		6x6	10x10
MC__	Powder Coat	+0	+0
PM01	Polished Chrome	+1,175	+536
PM02	Satin Nickel	+1,175	+536
PM03	Oil Rubbed Bronze	+1,759	+2,448

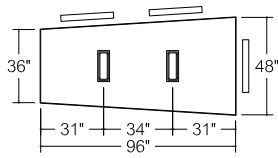
Please consult [page 7](#) for the palette of DatesWeiser finishes. Natural stone, non-standard glass and veneer, and other technology options are available. Please email [customerservice@datesweiser.com](mailto:customerservice@datesweiser.com) for a custom quote. Consult technical information on [page 274](#) for construction details and technical information.

# Highline Trapezoid Tables Index

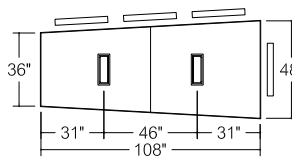
48"-72" width



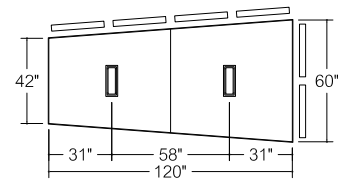
**02T48X84**  
6 Person Table



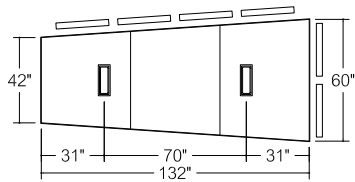
**02T48X96**  
6 Person Table



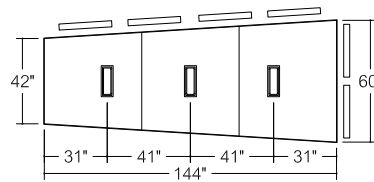
**02T48X108**  
8 Person Table



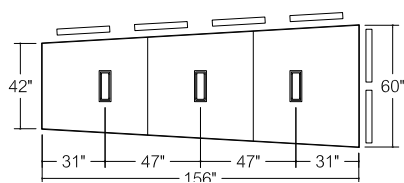
**02T60X120**  
11 Person Table



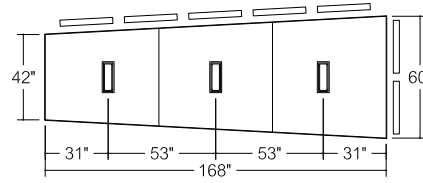
**02T60X132**  
11 Person Table



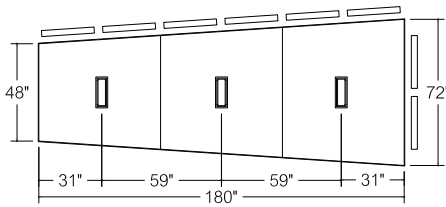
**02T60X144**  
11 Person Table



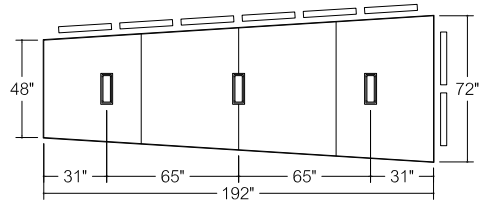
**02T60X156**  
13 Person Table



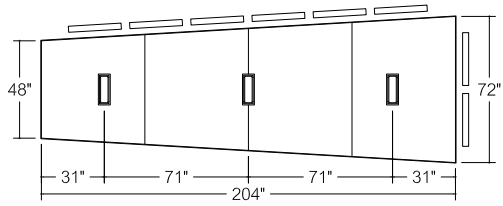
**02T60X168**  
13 Person Table



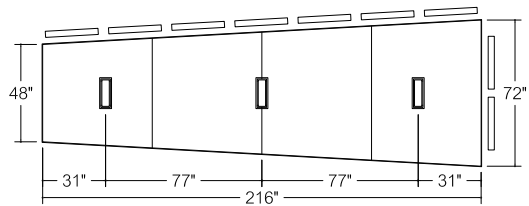
02T72X180  
15 Person Table



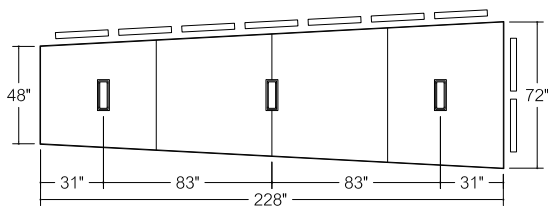
02T72X192  
15 Person Table



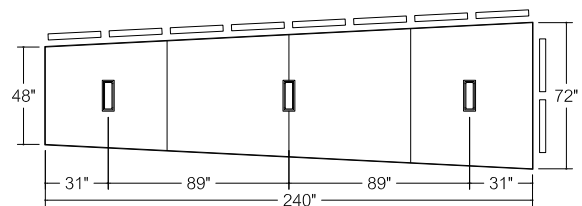
02T72X204  
15 Person Table



02T72X216  
17 Person Table



02T72X228  
17 Person Table

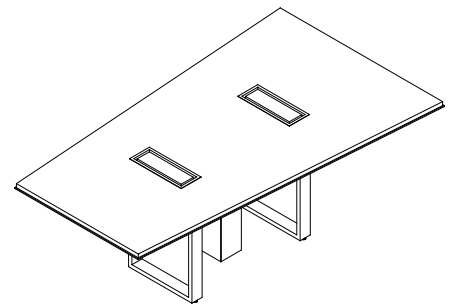


02T72X240  
19 Person Table

# Highline Trapezoid Conference Table

48"x84" / 6 Person

02T48X84



Starting Price: **\$11,191**

48/36x84 table, veneer Tier 1 top with metal edge, open base, powder coat metal finish

Base Pattern Number: 02T48X84

## Step 1. Top Material

V	Veneer
G	Glass
C	Corian
Q	Caesarstone

## Step 2. Edge Selection

N__	No Edge
L__	Leather Edge
M__	Metal Edge

## Step 3. Base Type

BL	Base Loop	+0
----	-----------	----

## Step 4. Edge Finish

AU__	Spinneybeck Leather: Acqua	+1,994
MC__	Powder Coat	+0
PM01	Polished Chrome	+861
PM02	Satin Nickel	+861
PM03	Oil Rubbed Bronze	+861

## Step 5. Top Finish

T1__	Veneer Tier 1	+0
T2__	Veneer Tier 2	+710
GC__	Clear Glass, back painted	+4,630
GE__	Etched matte Glass, back painted	+5,557
CS01	Corian Glacier White	+7,409
QS__	Caesarstone	+14,663

## Step 6. Base Finish

MC__	Powder Coat	+0
PM01	Polished Chrome	+355
PM02	Satin Nickel	+355
PM03	Oil Rubbed Bronze	+695

## Step 7. Microphone and/or Grommet Accommodations: Optional

MA__	Microphone hole (factory cut)	Qty __ x 354 each
GM__	2" Grommet Hole (factory cut), liner, lid, in matching metal finish	Qty __ x 466 each

## Step 8. Power & Connectivity Access: Optional

TMHW	Tabletop, Metal lid, Hardwired, Qty 2	+8,260
TMPI	Tabletop, Metal lid, Plug In, Qty 2	+7,038
TMLK	Tabletop, Metal lid, Linkable, Qty 2	+6,004
UMHW	Undermount, Hardwired, Qty 4	+4,496
UMPI	Undermount, Plug In, Qty 4	+3,268
UMLK	Undermount, Linkable, Qty 4	+3,268
SOHW	Undermount Slide-out, Hardwired, Qty 4	+7,832
SOPI	Undermount Slide-out, Plug In, Qty 4	+6,644
SOLK	Undermount Slide-out, Linkable, Qty 4	+6,644

## Wire Management Column (sold separately)

Required with any technology selection

Pattern Number: 02WMC6X6	+250
Pattern Number: 02WMC10X10	+975

## Step 1. Metal Finish for Wire Management Column

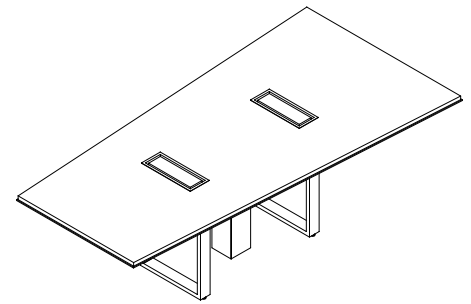
	6x6	10x10
MC__	Powder Coat	+0 +0
PM01	Polished Chrome	+1,175 +536
PM02	Satin Nickel	+1,175 +536
PM03	Oil Rubbed Bronze	+1,759 +2,448

Please consult [page 7](#) for the palette of DatesWeiser finishes. Natural stone, non-standard glass and veneer, and other technology options are available. Please email [customerservice@datesweiser.com](mailto:customerservice@datesweiser.com) for a custom quote. Consult technical information on [page 274](#) for construction details and technical information.

# Highline Trapezoid Conference Table

48"x96" / 6 Person

02T48X96



Starting Price: **\$12,009**

48/36x96 table, veneer Tier 1 top with metal edge, open base, powder coat metal finish

Base Pattern Number: 02T48X96

## Step 1. Top Material

V	Veneer
G	Glass
C	Corian
Q	Caesarstone

## Step 2. Edge Selection

N__	No Edge
L__	Leather Edge
M__	Metal Edge

## Step 3. Base Type

BL	Base Loop	+0
----	-----------	----

## Step 4. Edge Finish

AU__	Spinneybeck Leather: Acqua	+2,184
MC__	Powder Coat	+0
PM01	Polished Chrome	+861
PM02	Satin Nickel	+861
PM03	Oil Rubbed Bronze	+861

## Step 5. Top Finish

T1__	Veneer Tier 1	+0
T2__	Veneer Tier 2	+810
GC__	Clear Glass, back painted	+5,292
GE__	Etched matte Glass, back painted	+6,350
CS01	Corian Glacier White	+8,467
QS__	Caesarstone	+16,758

## Step 6. Base Finish

MC__	Powder Coat	+0
PM01	Polished Chrome	+355
PM02	Satin Nickel	+355
PM03	Oil Rubbed Bronze	+695

## Step 7. Microphone and/or Grommet Accommodations: Optional

MA__	Microphone hole (factory cut)	Qty __ x 354 each
GM__	2" Grommet Hole (factory cut), liner, lid, in matching metal finish	Qty __ x 466 each

## Step 8. Power & Connectivity Access: Optional

TMHW	Tabletop, Metal lid, Hardwired, Qty 2	+8,260
TMPI	Tabletop, Metal lid, Plug In, Qty 2	+7,038
TMLK	Tabletop, Metal lid, Linkable, Qty 2	+6,004
UMHW	Undermount, Hardwired, Qty 4	+4,496
UMPI	Undermount, Plug In, Qty 4	+3,268
UMLK	Undermount, Linkable, Qty 4	+3,268
SOHW	Undermount Slide-out, Hardwired, Qty 4	+7,832
SOPI	Undermount Slide-out, Plug In, Qty 4	+6,644
SOLK	Undermount Slide-out, Linkable, Qty 4	+6,644

## Wire Management Column (sold separately)

### Required with any technology selection

Pattern Number: 02WMC6X6	+250
Pattern Number: 02WMC10X10	+975

## Step 1. Metal Finish for Wire Management Column

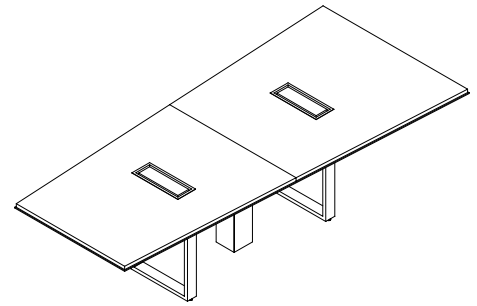
	6x6	10x10
MC__	Powder Coat	+0 +0
PM01	Polished Chrome	+1,175 +536
PM02	Satin Nickel	+1,175 +536
PM03	Oil Rubbed Bronze	+1,759 +2,448

Please consult [page 7](#) for the palette of DatesWeiser finishes. Natural stone, non-standard glass and veneer, and other technology options are available. Please email [customerservice@datesweiser.com](mailto:customerservice@datesweiser.com) for a custom quote. Consult technical information on [page 274](#) for construction details and technical information.

# Highline Trapezoid Conference Table

48"x108"/ 8 Person

02T48X108



Starting Price: **\$12,443**

48/36x108 table, veneer Tier 1 top with metal edge, open base, powder coat metal finish

Base Pattern Number: 02T48X108

## Step 1. Top Material

V	Veneer
G	Glass
C	Corian
Q	Caesarstone

## Step 2. Edge Selection

N__	No Edge
L__	Leather Edge
M__	Metal Edge

## Step 3. Base Type

BL	Base Loop	+0
----	-----------	----

## Step 4. Edge Finish

AU__	Spinneybeck Leather: Acqua	+2,373
MC__	Powder Coat	+0
PM01	Polished Chrome	+861
PM02	Satin Nickel	+861
PM03	Oil Rubbed Bronze	+861

## Step 5. Top Finish

T1__	Veneer Tier 1	+0
T2__	Veneer Tier 2	+913
GC__	Clear Glass, back painted	+5,953
GE__	Etched matte Glass, back painted	+7,144
CS01	Corian Glacier White	+9,525
QS__	Caesarstone	+18,852

## Step 6. Base Finish

MC__	Powder Coat	+0
PM01	Polished Chrome	+355
PM02	Satin Nickel	+355
PM03	Oil Rubbed Bronze	+695

## Step 7. Microphone and/or Grommet Accommodations: Optional

MA__	Microphone hole (factory cut)	Qty __ x 354 each
GM__	2" Grommet Hole (factory cut), liner, lid, in matching metal finish	Qty __ x 466 each

## Step 8. Power & Connectivity Access: Optional

TMHW	Tabletop, Metal lid, Hardwired, Qty 2	+8,260
TMPI	Tabletop, Metal lid, Plug In, Qty 2	+7,038
TMLK	Tabletop, Metal lid, Linkable, Qty 2	+6,004
UMHW	Undermount, Hardwired, Qty 4	+4,496
UMPI	Undermount, Plug In, Qty 4	+3,268
UMLK	Undermount, Linkable, Qty 4	+3,268
SOHW	Undermount Slide-out, Hardwired, Qty 4	+7,832
SOPI	Undermount Slide-out, Plug In, Qty 4	+6,644
SOLK	Undermount Slide-out, Linkable, Qty 4	+6,644

## Wire Management Column (sold separately)

Required with any technology selection

Pattern Number: 02WMC6X6	+250
Pattern Number: 02WMC10X10	+975

## Step 1. Metal Finish for Wire Management Column

	6x6	10x10
MC__	Powder Coat	+0 +0
PM01	Polished Chrome	+1,175 +536
PM02	Satin Nickel	+1,175 +536
PM03	Oil Rubbed Bronze	+1,759 +2,448

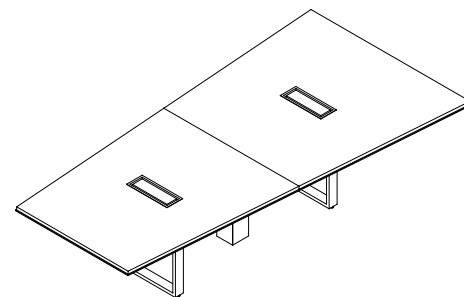
Please consult [page 7](#) for the palette of DatesWeiser finishes. Natural stone, non-standard glass and veneer, and other technology options are available. Please email [customerservice@datesweiser.com](mailto:customerservice@datesweiser.com) for a custom quote. Consult technical information on [page 274](#) for construction details and technical information.



# Highline Trapezoid Conference Table

60"x120"/ 11 Person

02T60X120



Starting Price: **\$15,485**

60/42x120 table, veneer Tier 1 top with metal edge, open base, powder coat metal finish

Base Pattern Number: 02T60X120

## Step 1. Top Material

V	Veneer
G	Glass
C	Corian
Q	Caesarstone

## Step 2. Edge Selection

N__	No Edge
L__	Leather Edge
M__	Metal Edge

## Step 3. Base Type

BL	Base Loop	+0
----	-----------	----

## Step 4. Edge Finish

AU__	Spinneybeck Leather: Acqua	+2,708
MC__	Powder Coat	+0
PM01	Polished Chrome	+726
PM02	Satin Nickel	+726
PM03	Oil Rubbed Bronze	+726

## Step 5. Top Finish

T1__	Veneer Tier 1	+0
T2__	Veneer Tier 2	+1,269
GC__	Clear Glass, back painted	+8,269
GE__	Etched matte Glass, back painted	+9,923
CS01	Corian Glacier White	+13,230
QS__	Caesarstone	+26,185

## Step 6. Base Finish

MC__	Powder Coat	+0
PM01	Polished Chrome	+355
PM02	Satin Nickel	+355
PM03	Oil Rubbed Bronze	+695

## Step 7. Microphone and/or Grommet Accommodations: Optional

MA__	Microphone hole (factory cut)	Qty __ x 354 each
GM__	2" Grommet Hole (factory cut), liner, lid, in matching metal finish	Qty __ x 466 each

## Step 8. Power & Connectivity Access: Optional

TMHW	Tabletop, Metal lid, Hardwired, Qty 2	+8,260
TMPI	Tabletop, Metal lid, Plug In, Qty 2	+7,038
TMLK	Tabletop, Metal lid, Linkable, Qty 2	+6,004
UMHW	Undermount, Hardwired, Qty 6	+6,744
UMPI	Undermount, Plug In, Qty 6	+4,902
UMLK	Undermount, Linkable, Qty 6	+4,902
SOHW	Undermount Slide-out, Hardwired, Qty 6	+11,748
SOPI	Undermount Slide-out, Plug In, Qty 6	+9,966
SOLK	Undermount Slide-out, Linkable, Qty 6	+9,966

## Wire Management Column (sold separately)

Required with any technology selection

Pattern Number: 02WMC6X6	+250
Pattern Number: 02WMC10X10	+975

## Step 1. Metal Finish for Wire Management Column

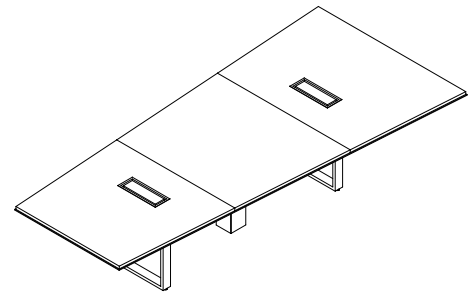
		6x6	10x10
MC__	Powder Coat	+0	+0
PM01	Polished Chrome	+1,175	+536
PM02	Satin Nickel	+1,175	+536
PM03	Oil Rubbed Bronze	+1,759	+2,448

Please consult [page 7](#) for the palette of DatesWeiser finishes. Natural stone, non-standard glass and veneer, and other technology options are available. Please email [customerservice@datesweiser.com](mailto:customerservice@datesweiser.com) for a custom quote. Consult technical information on [page 274](#) for construction details and technical information.

# Highline Trapezoid Conference Table

60"x132"/ 11 Person

02T60X132



Starting Price: **\$18,660**

60/42x132 table, veneer Tier 1 top with metal edge, open base, powder coat metal finish

Base Pattern Number: 02T60X132

## Step 1. Top Material

V	Veneer
G	Glass
C	Corian
Q	Caesarstone

## Step 2. Edge Selection

N__	No Edge
L__	Leather Edge
M__	Metal Edge

## Step 3. Base Type

BL	Base Loop	+0
----	-----------	----

## Step 4. Edge Finish

AU__	Spinneybeck Leather: Acqua	+2,896
MC__	Powder Coat	+0
PM01	Polished Chrome	+1,058
PM02	Satin Nickel	+1,058
PM03	Oil Rubbed Bronze	+1,058

## Step 5. Top Finish

T1__	Veneer Tier 1	+0
T2__	Veneer Tier 2	+1,395
GC__	Clear Glass, back painted	+9,096
GE__	Etched matte Glass, back painted	+10,914
CS01	Corian Glacier White	+14,553
QS__	Caesarstone	+28,803

## Step 6. Base Finish

MC__	Powder Coat	+0
PM01	Polished Chrome	+355
PM02	Satin Nickel	+355
PM03	Oil Rubbed Bronze	+695

## Step 7. Microphone and/or Grommet Accommodations: Optional

MA__	Microphone hole (factory cut)	Qty __ x 354 each
GM__	2" Grommet Hole (factory cut), liner, lid, in matching metal finish	Qty __ x 466 each

## Step 8. Power & Connectivity Access: Optional

TMHW	Tabletop, Metal lid, Hardwired, Qty 2	+8,260
TMPI	Tabletop, Metal lid, Plug In, Qty 2	+7,038
TMLK	Tabletop, Metal lid, Linkable, Qty 2	+6,004
UMHW	Undermount, Hardwired, Qty 6	+6,744
UMPI	Undermount, Plug In, Qty 6	+4,902
UMLK	Undermount, Linkable, Qty 6	+4,902
SOHW	Undermount Slide-out, Hardwired, Qty 6	+11,748
SOPI	Undermount Slide-out, Plug In, Qty 6	+9,966
SOLK	Undermount Slide-out, Linkable, Qty 6	+9,966

## Wire Management Column (sold separately)

Required with any technology selection

Pattern Number: 02WMC6X6	+250
Pattern Number: 02WMC10X10	+975

## Step 1. Metal Finish for Wire Management Column

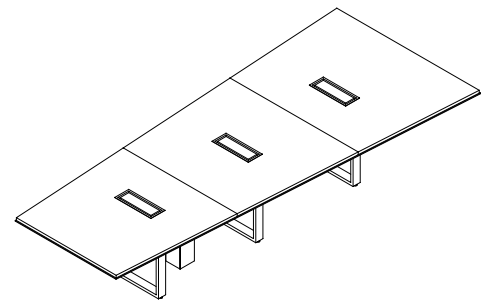
		6x6	10x10
MC__	Powder Coat	+0	+0
PM01	Polished Chrome	+1,175	+536
PM02	Satin Nickel	+1,175	+536
PM03	Oil Rubbed Bronze	+1,759	+2,448

Please consult [page 7](#) for the palette of DatesWeiser finishes. Natural stone, non-standard glass and veneer, and other technology options are available. Please email [customerservice@datesweiser.com](mailto:customerservice@datesweiser.com) for a custom quote. Consult technical information on [page 274](#) for construction details and technical information.

# Highline Trapezoid Conference Table

60"x144"/ 11 Person

02T60X144



Starting Price: **\$19,584**

60/42x144 table, veneer Tier 1 top with metal edge, open base, powder coat metal finish

Base Pattern Number: 02T60X144

## Step 1. Top Material

V	Veneer
G	Glass
C	Corian
Q	Caesarstone

## Step 2. Edge Selection

N__	No Edge
L__	Leather Edge
M__	Metal Edge

## Step 3. Base Type

BL	Base Loop	+0
----	-----------	----

## Step 4. Edge Finish

AU__	Spinneybeck Leather: Acqua	+3,086
MC__	Powder Coat	+0
PM01	Polished Chrome	+1,058
PM02	Satin Nickel	+1,058
PM03	Oil Rubbed Bronze	+1,058

## Step 5. Top Finish

T1__	Veneer Tier 1	+0
T2__	Veneer Tier 2	+1,521
GC__	Clear Glass, back painted	+9,922
GE__	Etched matte Glass, back painted	+11,907
CS01	Corian Glacier White	+15,876
QS__	Caesarstone	+31,421

## Step 6. Base Finish

MC__	Powder Coat	+0
PM01	Polished Chrome	+532
PM02	Satin Nickel	+532
PM03	Oil Rubbed Bronze	+1,042

## Step 7. Microphone and/or Grommet Accommodations: Optional

MA__	Microphone hole (factory cut)	Qty __ x 354 each
GM__	2" Grommet Hole (factory cut), liner, lid, in matching metal finish	Qty __ x 466 each

## Step 8. Power & Connectivity Access: Optional

TMHW	Tabletop, Metal lid, Hardwired, Qty 3	+12,390
TMPI	Tabletop, Metal lid, Plug In, Qty 3	+10,557
TMLK	Tabletop, Metal lid, Linkable, Qty 3	+9,006
UMHW	Undermount, Hardwired, Qty 6	+6,744
UMPI	Undermount, Plug In, Qty 6	+4,902
UMLK	Undermount, Linkable, Qty 6	+4,902
SOHW	Undermount Slide-out, Hardwired, Qty 6	+11,748
SOPI	Undermount Slide-out, Plug In, Qty 6	+9,966
SOLK	Undermount Slide-out, Linkable, Qty 6	+9,966

## Wire Management Column (sold separately)

Required with any technology selection

Pattern Number: 02WMC6X6	+250
Pattern Number: 02WMC10X10	+975

## Step 1. Metal Finish for Wire Management Column

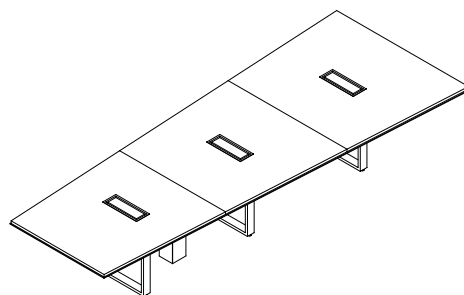
		6x6	10x10
MC__	Powder Coat	+0	+0
PM01	Polished Chrome	+1,175	+536
PM02	Satin Nickel	+1,175	+536
PM03	Oil Rubbed Bronze	+1,759	+2,448

Please consult [page 7](#) for the palette of DatesWeiser finishes. Natural stone, non-standard glass and veneer, and other technology options are available. Please email [customerservice@datesweiser.com](mailto:customerservice@datesweiser.com) for a custom quote. Consult technical information on [page 274](#) for construction details and technical information.

# Highline Trapezoid Conference Table

60"x156"/ 13 Person

02T60X156



Starting Price: **\$20,067**

60/42x156 table, veneer Tier 1 top with metal edge, open base, powder coat metal finish

Base Pattern Number: 02T60X156

## Step 1. Top Material

V	Veneer
G	Glass
C	Corian
Q	Caesarstone

## Step 2. Edge Selection

N__	No Edge
L__	Leather Edge
M__	Metal Edge

## Step 3. Base Type

BL	Base Loop	+0
----	-----------	----

## Step 4. Edge Finish

AU__	Spinneybeck Leather: Acqua	+3,276
MC__	Powder Coat	+0
PM01	Polished Chrome	+1,058
PM02	Satin Nickel	+1,058
PM03	Oil Rubbed Bronze	+1,058

## Step 5. Top Finish

T1__	Veneer Tier 1	+0
T2__	Veneer Tier 2	+1,648
GC__	Clear Glass, back painted	+10,749
GE__	Etched matte Glass, back painted	+12,899
CS01	Corian Glacier White	+17,199
QS__	Caesarstone	+34,040

## Step 6. Base Finish

MC__	Powder Coat	+0
PM01	Polished Chrome	+532
PM02	Satin Nickel	+532
PM03	Oil Rubbed Bronze	+1,042

## Step 7. Microphone and/or Grommet Accommodations: Optional

MA__	Microphone hole (factory cut)	Qty __ x 354 each
GM__	2" Grommet Hole (factory cut), liner, lid, in matching metal finish	Qty __ x 466 each

## Step 8. Power & Connectivity Access: Optional

TMHW	Tabletop, Metal lid, Hardwired, Qty 3	+12,390
TMPI	Tabletop, Metal lid, Plug In, Qty 3	+10,557
TMLK	Tabletop, Metal lid, Linkable, Qty 3	+9,006
UMHW	Undermount, Hardwired, Qty 6	+6,744
UMPI	Undermount, Plug In, Qty 6	+4,902
UMLK	Undermount, Linkable, Qty 6	+4,902
SOHW	Undermount Slide-out, Hardwired, Qty 6	+11,748
SOPI	Undermount Slide-out, Plug In, Qty 6	+9,966
SOLK	Undermount Slide-out, Linkable, Qty 6	+9,966

## Wire Management Column (sold separately)

Required with any technology selection

Pattern Number: 02WMC6X6	+250
Pattern Number: 02WMC10X10	+975

## Step 1. Metal Finish for Wire Management Column

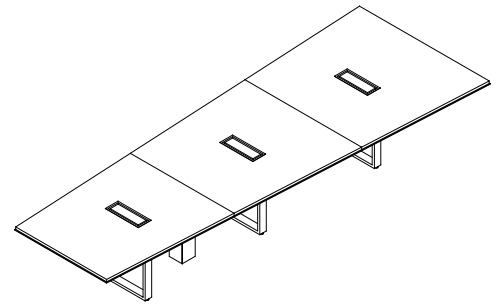
		6x6	10x10
MC__	Powder Coat	+0	+0
PM01	Polished Chrome	+1,175	+536
PM02	Satin Nickel	+1,175	+536
PM03	Oil Rubbed Bronze	+1,759	+2,448

Please consult [page 7](#) for the palette of DatesWeiser finishes. Natural stone, non-standard glass and veneer, and other technology options are available. Please email [customerservice@datesweiser.com](mailto:customerservice@datesweiser.com) for a custom quote. Consult technical information on [page 274](#) for construction details and technical information.

# Highline Trapezoid Conference Table

60"x168"/ 13 Person

02T60X168



Starting Price: **\$21,393**

60/42x168 table, veneer Tier 1 top with metal edge, open base, powder coat metal finish

Base Pattern Number: 02T60X168

## Step 1. Top Material

V	Veneer
G	Glass
C	Corian
Q	Caesarstone

## Step 2. Edge Selection

N__	No Edge
L__	Leather Edge
M__	Metal Edge

## Step 3. Base Type

BL	Base Loop	+0
----	-----------	----

## Step 4. Edge Finish

AU__	Spinneybeck Leather: Acqua	+3,464
MC__	Powder Coat	+0
PM01	Polished Chrome	+1,725
PM02	Satin Nickel	+1,725
PM03	Oil Rubbed Bronze	+1,725

## Step 5. Top Finish

T1__	Veneer Tier 1	+0
T2__	Veneer Tier 2	+1,775
GC__	Clear Glass, back painted	+11,576
GE__	Etched matte Glass, back painted	+13,891
CS01	Corian Glacier White	+18,522
QS__	Caesarstone	+36,658

## Step 6. Base Finish

MC__	Powder Coat	+0
PM01	Polished Chrome	+532
PM02	Satin Nickel	+532
PM03	Oil Rubbed Bronze	+1,042

## Step 7. Microphone and/or Grommet Accommodations: Optional

MA__	Microphone hole (factory cut)	Qty __ x 354 each
GM__	2" Grommet Hole (factory cut), liner, lid, in matching metal finish	Qty __ x 466 each

## Step 8. Power & Connectivity Access: Optional

TMHW	Tabletop, Metal lid, Hardwired, Qty 3	+12,390
TMPI	Tabletop, Metal lid, Plug In, Qty 3	+10,557
TMLK	Tabletop, Metal lid, Linkable, Qty 3	+9,006
UMHW	Undermount, Hardwired, Qty 6	+6,744
UMPI	Undermount, Plug In, Qty 6	+4,902
UMLK	Undermount, Linkable, Qty 6	+4,902
SOHW	Undermount Slide-out, Hardwired, Qty 6	+11,748
SOPI	Undermount Slide-out, Plug In, Qty 6	+9,966
SOLK	Undermount Slide-out, Linkable, Qty 6	+9,966

## Wire Management Column (sold separately)

Required with any technology selection

Pattern Number: 02WMC6X6	+250
Pattern Number: 02WMC10X10	+975

## Step 1. Metal Finish for Wire Management Column

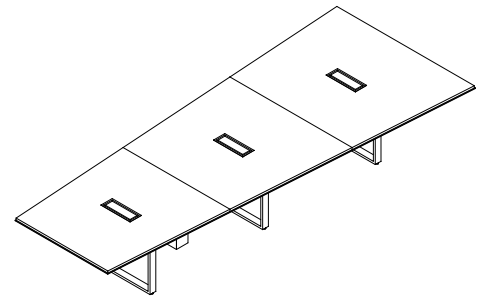
		6x6	10x10
MC__	Powder Coat	+0	+0
PM01	Polished Chrome	+1,175	+536
PM02	Satin Nickel	+1,175	+536
PM03	Oil Rubbed Bronze	+1,759	+2,448

Please consult [page 7](#) for the palette of DatesWeiser finishes. Natural stone, non-standard glass and veneer, and other technology options are available. Please email [customerservice@datesweiser.com](mailto:customerservice@datesweiser.com) for a custom quote. Consult technical information on [page 274](#) for construction details and technical information.

# Highline Trapezoid Conference Table

72"x180"/ 15 Person

02T72X180



Starting Price: **\$25,445**

72/48x180 table, veneer Tier 1 top with metal edge, open base, powder coat metal finish

Base Pattern Number: 02T72X180

## Step 1. Top Material

V	Veneer
G	Glass
C	Corian
Q	Caesarstone

## Step 2. Edge Selection

N__	No Edge
L__	Leather Edge
M__	Metal Edge

## Step 3. Base Type

BL	Base Loop	+0
----	-----------	----

## Step 4. Edge Finish

AU__	Spinneybeck Leather: Acqua	+3,799
MC__	Powder Coat	+0
PM01	Polished Chrome	+1,724
PM02	Satin Nickel	+1,724
PM03	Oil Rubbed Bronze	+1,724

## Step 5. Top Finish

T1__	Veneer Tier 1	+0
T2__	Veneer Tier 2	+2,281
GC__	Clear Glass, back painted	+14,883
GE__	Etched matte Glass, back painted	+17,860
CS01	Corian Glacier White	+23,814
QS__	Caesarstone*	+47,131

## Step 6. Base Finish

MC__	Powder Coat	+0
PM01	Polished Chrome	+532
PM02	Satin Nickel	+532
PM03	Oil Rubbed Bronze	+1,042

## Step 7. Microphone and/or Grommet Accommodations: Optional

MA__	Microphone hole (factory cut)	Qty __ x 354 each
GM__	2" Grommet Hole (factory cut), liner, lid, in matching metal finish	Qty __ x 466 each

## Step 8. Power & Connectivity Access: Optional

TMHW	Tabletop, Metal lid, Hardwired, Qty 3	+12,390
TMPI	Tabletop, Metal lid, Plug In, Qty 3	+10,557
TMLK	Tabletop, Metal lid, Linkable, Qty 3	+9,006
UMHW	Undermount, Hardwired, Qty 8	+8,992
UMPI	Undermount, Plug In, Qty 8	+6,536
UMLK	Undermount, Linkable, Qty 8	+6,436
SOHW	Undermount Slide-out, Hardwired, Qty 8	+15,664
SOPI	Undermount Slide-out, Plug In, Qty 8	+13,288
SOLK	Undermount Slide-out, Linkable, Qty 8	+13,288

## Wire Management Column (sold separately)

Required with any technology selection

Pattern Number: 02WMC6X6	+250
Pattern Number: 02WMC10X10	+975

## Step 1. Metal Finish for Wire Management Column

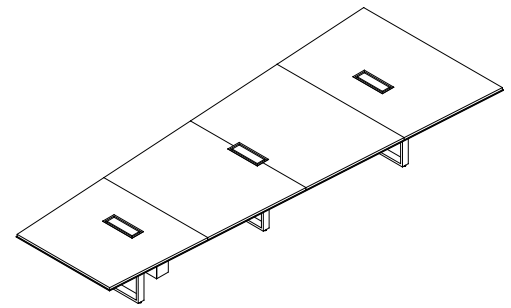
		6x6	10x10
MC__	Powder Coat	+0	+0
PM01	Polished Chrome	+1,175	+536
PM02	Satin Nickel	+1,175	+536
PM03	Oil Rubbed Bronze	+1,759	+2,448

Please consult [page 7](#) for the palette of DatesWeiser finishes. Natural stone, non-standard glass and veneer, and other technology options are available. Please email [customerservice@datesweiser.com](mailto:customerservice@datesweiser.com) for a custom quote. Consult technical information on [page 274](#) for construction details and technical information.

# Highline Trapezoid Conference Table

72"x192"/ 15 Person

02T72X192



Starting Price: **\$26,390**

72/48x192 table, veneer Tier 1 top with metal edge, open base, powder coat metal finish

Base Pattern Number: 02T72X192

## Step 1. Top Material

V	Veneer
G	Glass
C	Corian
Q	Caesarstone

## Step 2. Edge Selection

N__	No Edge
L__	Leather Edge
M__	Metal Edge

## Step 3. Base Type

BL	Base Loop	+0
----	-----------	----

## Step 4. Edge Finish

AU__	Spinneybeck Leather: Acqua	+3,988
MC__	Powder Coat	+0
PM01	Polished Chrome	+1,724
PM02	Satin Nickel	+1,724
PM03	Oil Rubbed Bronze	+1,724

## Step 5. Top Finish

T1__	Veneer Tier 1	+0
T2__	Veneer Tier 2	+2,434
GC__	Clear Glass, back painted	+15,876
GE__	Etched matte Glass, back painted	+19,051
CS01	Corian Glacier White	+25,401
QS__	Caesarstone	+50,274

## Step 6. Base Finish

MC__	Powder Coat	+0
PM01	Polished Chrome	+532
PM02	Satin Nickel	+532
PM03	Oil Rubbed Bronze	+1,042

## Step 7. Microphone and/or Grommet Accommodations: Optional

MA__	Microphone hole (factory cut)	Qty __ x 354 each
GM__	2" Grommet Hole (factory cut), liner, lid, in matching metal finish	Qty __ x 466 each

## Step 8. Power & Connectivity Access: Optional

TMHW	Tabletop, Metal lid, Hardwired, Qty 3	+12,390
TMPI	Tabletop, Metal lid, Plug In, Qty 3	+10,557
TMLK	Tabletop, Metal lid, Linkable, Qty 3	+9,006
UMHW	Undermount, Hardwired, Qty 8	+8,992
UMPI	Undermount, Plug In, Qty 8	+6,536
UMLK	Undermount, Linkable, Qty 8	+6,436
SOHW	Undermount Slide-out, Hardwired, Qty 8	+15,664
SOPI	Undermount Slide-out, Plug In, Qty 8	+13,288
SOLK	Undermount Slide-out, Linkable, Qty 8	+13,288

## Wire Management Column (sold separately)

Required with any technology selection

Pattern Number: 02WMC6X6	+250
Pattern Number: 02WMC10X10	+975

## Step 1. Metal Finish for Wire Management Column

		6x6	10x10
MC__	Powder Coat	+0	+0
PM01	Polished Chrome	+1,175	+536
PM02	Satin Nickel	+1,175	+536
PM03	Oil Rubbed Bronze	+1,759	+2,448

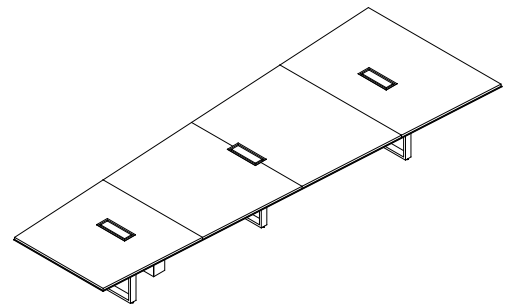
Please consult [page 7](#) for the palette of DatesWeiser finishes. Natural stone, non-standard glass and veneer, and other technology options are available. Please email [customerservice@datesweiser.com](mailto:customerservice@datesweiser.com) for a custom quote. Consult technical information on [page 274](#) for construction details and technical information.



# Highline Trapezoid Conference Table

72"x204"/ 15 Person

02T72X204



Starting Price: **\$27,165**

72/48x204 table, veneer Tier 1 top with metal edge, open base, powder coat metal finish

Base Pattern Number: 02T72X204

## Step 1. Top Material

V	Veneer
G	Glass
C	Corian
Q	Caesarstone

## Step 2. Edge Selection

N__	No Edge
L__	Leather Edge
M__	Metal Edge

## Step 3. Base Type

BL	Base Loop	+0
----	-----------	----

## Step 4. Edge Finish

AU__	Spinneybeck Leather: Acqua	+4,177
MC__	Powder Coat	+0
PM01	Polished Chrome	+1,724
PM02	Satin Nickel	+1,724
PM03	Oil Rubbed Bronze	+1,724

## Step 5. Top Finish

T1__	Veneer Tier 1	+0
T2__	Veneer Tier 2	+2,586
GC__	Clear Glass, back painted	+16,868
GE__	Etched matte Glass, back painted	+20,241
CS01	Corian Glacier White	+26,989
QS__	Caesarstone	+53,415

## Step 6. Base Finish

MC__	Powder Coat	+0
PM01	Polished Chrome	+532
PM02	Satin Nickel	+532
PM03	Oil Rubbed Bronze	+1,042

## Step 7. Microphone and/or Grommet Accommodations: Optional

MA__	Microphone hole (factory cut)	Qty __ x 354 each
GM__	2" Grommet Hole (factory cut), liner, lid, in matching metal finish	Qty __ x 466 each

## Step 8. Power & Connectivity Access: Optional

TMHW	Tabletop, Metal lid, Hardwired, Qty 3	+12,390
TMPI	Tabletop, Metal lid, Plug In, Qty 3	+10,557
TMLK	Tabletop, Metal lid, Linkable, Qty 3	+9,006
UMHW	Undermount, Hardwired, Qty 8	+8,992
UMPI	Undermount, Plug In, Qty 8	+6,536
UMLK	Undermount, Linkable, Qty 8	+6,436
SOHW	Undermount Slide-out, Hardwired, Qty 8	+15,664
SOPI	Undermount Slide-out, Plug In, Qty 8	+13,288
SOLK	Undermount Slide-out, Linkable, Qty 8	+13,288

## Wire Management Column (sold separately)

Required with any technology selection

Pattern Number: 02WMC6X6	+250
Pattern Number: 02WMC10X10	+975

## Step 1. Metal Finish for Wire Management Column

		6x6	10x10
MC__	Powder Coat	+0	+0
PM01	Polished Chrome	+1,175	+536
PM02	Satin Nickel	+1,175	+536
PM03	Oil Rubbed Bronze	+1,759	+2,448

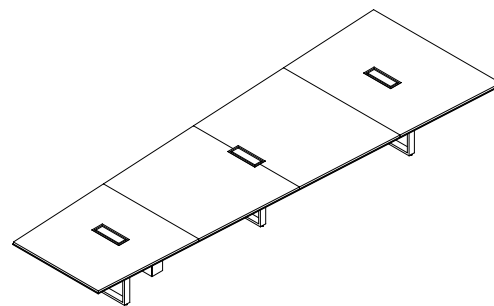
Please consult [page 7](#) for the palette of DatesWeiser finishes. Natural stone, non-standard glass and veneer, and other technology options are available. Please email [customerservice@datesweiser.com](mailto:customerservice@datesweiser.com) for a custom quote. Consult technical information on [page 274](#) for construction details and technical information.



# Highline Trapezoid Conference Table

72"x216"/ 17 Person

02T72X216



Starting Price: **\$27,951**

72/48x216 table, veneer Tier 1 top with metal edge, open base, powder coat metal finish

Base Pattern Number: 02T72X216

## Step 1. Top Material

V	Veneer
G	Glass
C	Corian
Q	Caesarstone

## Step 2. Edge Selection

N__	No Edge
L__	Leather Edge
M__	Metal Edge

## Step 3. Base Type

BL	Base Loop	+0
----	-----------	----

## Step 4. Edge Finish

AU__	Spinneybeck Leather: Acqua	+4,367
MC__	Powder Coat	+0
PM01	Polished Chrome	+1,724
PM02	Satin Nickel	+1,724
PM03	Oil Rubbed Bronze	+1,724

## Step 5. Top Finish

T1__	Veneer Tier 1	+0
T2__	Veneer Tier 2	+2,738
GC__	Clear Glass, back painted	+17,861
GE__	Etched matte Glass, back painted	+21,433
CS01	Corian Glacier White	+28,577
QS__	Caesarstone	+56,558

## Step 6. Base Finish

MC__	Powder Coat	+0
PM01	Polished Chrome	+532
PM02	Satin Nickel	+532
PM03	Oil Rubbed Bronze	+1,042

## Step 7. Microphone and/or Grommet Accommodations: Optional

MA__	Microphone hole (factory cut)	Qty __ x 354 each
GM__	2" Grommet Hole (factory cut), liner, lid, in matching metal finish	Qty __ x 466 each

## Step 8. Power & Connectivity Access: Optional

TMHW	Tabletop, Metal lid, Hardwired, Qty 3	+12,390
TMPI	Tabletop, Metal lid, Plug In, Qty 3	+10,557
TMLK	Tabletop, Metal lid, Linkable, Qty 3	+9,006
UMHW	Undermount, Hardwired, Qty 8	+8,992
UMPI	Undermount, Plug In, Qty 8	+6,536
UMLK	Undermount, Linkable, Qty 8	+6,436
SOHW	Undermount Slide-out, Hardwired, Qty 8	+15,664
SOPI	Undermount Slide-out, Plug In, Qty 8	+13,288
SOLK	Undermount Slide-out, Linkable, Qty 8	+13,288

## Wire Management Column (sold separately)

Required with any technology selection

Pattern Number: 02WMC6X6	+250
Pattern Number: 02WMC10X10	+975

## Step 1. Metal Finish for Wire Management Column

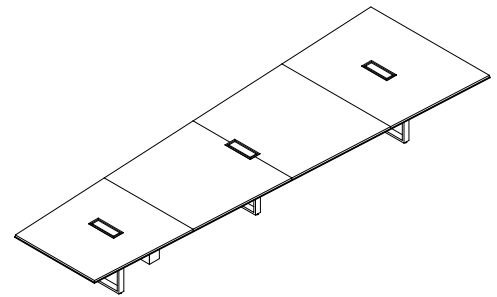
		6x6	10x10
MC__	Powder Coat	+0	+0
PM01	Polished Chrome	+1,175	+536
PM02	Satin Nickel	+1,175	+536
PM03	Oil Rubbed Bronze	+1,759	+2,448

Please consult [page 7](#) for the palette of DatesWeiser finishes. Natural stone, non-standard glass and veneer, and other technology options are available. Please email [customerservice@datesweiser.com](mailto:customerservice@datesweiser.com) for a custom quote. Consult technical information on [page 274](#) for construction details and technical information.

# Highline Trapezoid Conference Table

72"x228"/ 17 Person

02T72X228



Starting Price: **\$28,709**

72/48x228 table, veneer Tier 1 top with metal edge, open base, powder coat metal finish

Base Pattern Number: 02T72X228

## Step 1. Top Material

V	Veneer
G	Glass
C	Corian
Q	Caesarstone

## Step 2. Edge Selection

N__	No Edge
L__	Leather Edge
M__	Metal Edge

## Step 3. Base Type

BL	Base Loop	+0
----	-----------	----

## Step 4. Edge Finish

AU__	Spinneybeck Leather: Acqua	+4,557
MC__	Powder Coat	+0
PM01	Polished Chrome	+1,724
PM02	Satin Nickel	+1,724
PM03	Oil Rubbed Bronze	+1,724

## Step 5. Top Finish

T1__	Veneer Tier 1	+0
T2__	Veneer Tier 2	+2,891
GC__	Clear Glass, back painted	+18,853
GE__	Etched matte Glass, back painted	+22,623
CS01	Corian Glacier White	+30,165
QS__	Caesarstone*	+59,701

## Step 6. Base Finish

MC__	Powder Coat	+0
PM01	Polished Chrome	+532
PM02	Satin Nickel	+532
PM03	Oil Rubbed Bronze	+1,042

## Step 7. Microphone and/or Grommet Accommodations: Optional

MA__	Microphone hole (factory cut)	Qty __ x 354 each
GM__	2" Grommet Hole (factory cut), liner, lid, in matching metal finish	Qty __ x 466 each

## Step 8. Power & Connectivity Access: Optional

TMHW	Tabletop, Metal lid, Hardwired, Qty 3	+12,390
TMPI	Tabletop, Metal lid, Plug In, Qty 3	+10,557
TMLK	Tabletop, Metal lid, Linkable, Qty 3	+9,006
UMHW	Undermount, Hardwired, Qty 8	+8,992
UMPI	Undermount, Plug In, Qty 8	+6,536
UMLK	Undermount, Linkable, Qty 8	+6,436
SOHW	Undermount Slide-out, Hardwired, Qty 8	+15,664
SOPI	Undermount Slide-out, Plug In, Qty 8	+13,288
SOLK	Undermount Slide-out, Linkable, Qty 8	+13,288

## Wire Management Column (sold separately)

Required with any technology selection

Pattern Number: 02WMC6X6	+250
Pattern Number: 02WMC10X10	+975

## Step 1. Metal Finish for Wire Management Column

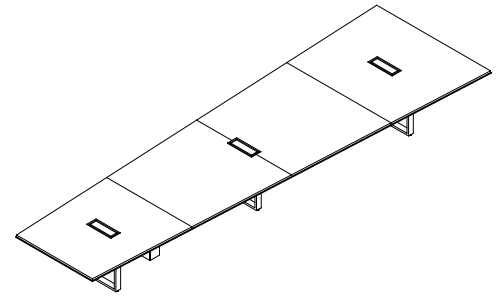
		6x6	10x10
MC__	Powder Coat	+0	+0
PM01	Polished Chrome	+1,175	+536
PM02	Satin Nickel	+1,175	+536
PM03	Oil Rubbed Bronze	+1,759	+2,448

Please consult [page 7](#) for the palette of DatesWeiser finishes. Natural stone, non-standard glass and veneer, and other technology options are available. Please email [customerservice@datesweiser.com](mailto:customerservice@datesweiser.com) for a custom quote. Consult technical information on [page 274](#) for construction details and technical information.

# Highline Trapezoid Conference Table

72"x240"/ 19 Person

02T72X240



Starting Price: **\$29,489**

72/48x240 table, veneer Tier 1 top with metal edge, open base, powder coat metal finish

Base Pattern Number: 02T72X240

## Step 1. Top Material

V	Veneer
G	Glass
C	Corian
Q	Caesarstone

## Step 2. Edge Selection

N__	No Edge
L__	Leather Edge
M__	Metal Edge

## Step 3. Base Type

BL	Base Loop	+0
----	-----------	----

## Step 4. Edge Finish

AU__	Spinneybeck Leather: Acqua	+4,745
MC__	Powder Coat	+0
PM01	Polished Chrome	+1,724
PM02	Satin Nickel	+1,724
PM03	Oil Rubbed Bronze	+1,724

## Step 5. Top Finish

T1__	Veneer Tier 1	+0
T2__	Veneer Tier 2	+3,043
GC__	Clear Glass, back painted	+19,845
GE__	Etched matte Glass, back painted	+23,814
CS01	Corian Glacier White	+31,752
QS__	Caesarstone*	+62,843

## Step 6. Base Finish

MC__	Powder Coat	+0
PM01	Polished Chrome	+532
PM02	Satin Nickel	+532
PM03	Oil Rubbed Bronze	+1,042

## Step 7. Microphone and/or Grommet Accommodations: Optional

MA__	Microphone hole (factory cut)	Qty __ x 354 each
GM__	2" Grommet Hole (factory cut), liner, lid, in matching metal finish	Qty __ x 466 each

## Step 8. Power & Connectivity Access: Optional

TMHW	Tabletop, Metal lid, Hardwired, Qty 3	+12,390
TMPI	Tabletop, Metal lid, Plug In, Qty 3	+10,557
TMLK	Tabletop, Metal lid, Linkable, Qty 3	+9,006
UMHW	Undermount, Hardwired, Qty 10	+11,240
UMPI	Undermount, Plug In, Qty 10	+8,170
UMLK	Undermount, Linkable, Qty 10	+8,170
SOHW	Undermount Slide-out, Hardwired, Qty 10	+19,580
SOPK	Undermount Slide-out, Plug In, Qty 10	+16,610
SOLK	Undermount Slide-out, Linkable, Qty 10	+16,610

## Wire Management Column (sold separately)

Required with any technology selection

Pattern Number: 02WMC6X6	+250
Pattern Number: 02WMC10X10	+975

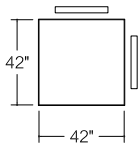
## Step 1. Metal Finish for Wire Management Column

		6x6	10x10
MC__	Powder Coat	+0	+0
PM01	Polished Chrome	+1,175	+536
PM02	Satin Nickel	+1,175	+536
PM03	Oil Rubbed Bronze	+1,759	+2,448

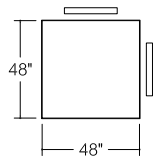
Please consult [page 7](#) for the palette of DatesWeiser finishes. Natural stone, non-standard glass and veneer, and other technology options are available. Please email [customerservice@datesweiser.com](mailto:customerservice@datesweiser.com) for a custom quote. Consult technical information on [page 274](#) for construction details and technical information.

# Highline Square, Round and Elliptical Meeting Tables Index

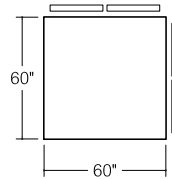
42"-84" width



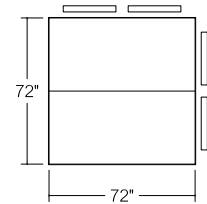
**02M42S**  
4 Person Table



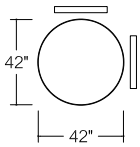
**02M48S**  
4 Person Table



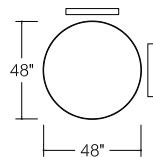
**02M60S**  
8 Person Table



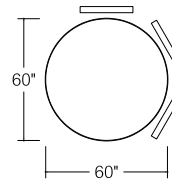
**02M72S**  
8 Person Table



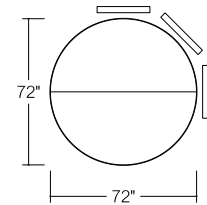
**02M42C**  
4 Person Table



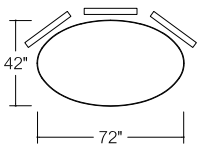
**02M48C**  
4 Person Table



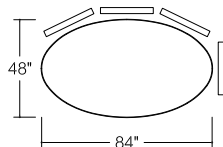
**02M60C**  
6 Person Table



**02M72C**  
8 Person Table



**02M42E**  
6 Person Table



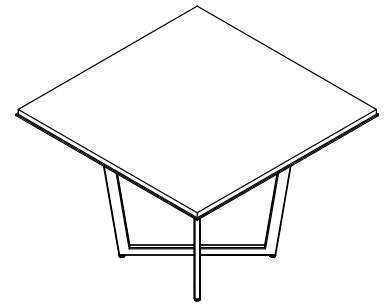
**02M48E**  
8 Person Table



# Highline Square Meeting Table

42"x42"/ 4 Person

02M42S



Starting Price: **\$7,698**

42x42 table, veneer Tier 1 top with metal edge, open x base, powder coat metal finish

Base Pattern Number: 02M42S

## Step 1. Top Material

V	Veneer
G	Glass
C	Corian
Q	Caesarstone

## Step 2. Edge Selection/Finish

N__	No Edge	+0
AU__	Spinneybeck Leather: Acqua	+1,327
MC__	Powder Coat	+0
PM01	Polished Chrome	+1,311
PM02	Satin Nickel	+1,311
PM03	Oil Rubbed Bronze	+3,354

## Step 3. Base Type

OP	Open Base	+0
----	-----------	----

## Step 4. Base Finish

MC__	Powder Coat	+0
PM01	Polished Chrome	+465
PM02	Satin Nickel	+465
PM03	Oil Rubbed Bronze	+2,709

## Step 5. Top Finish

T1__	Veneer Tier 1	+0
T2__	Veneer Tier 2	+310
GC__	Clear Glass, back painted	+1,337
GE__	Etched matte Glass, back painted	+1,607
CS01	Corian Glacier White	+1,958
QS__	Caesarstone	+5,065

## Step 6. Microphone and/or Grommet Accommodations: Optional

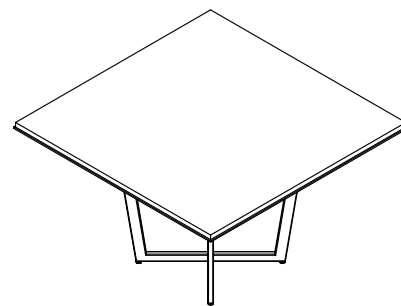
MA__	Microphone hole (factory cut)	Qty __ x 354 each
GM__	2" Grommet Hole (factory cut), liner, lid, in matching metal finish	Qty __ x 466 each

Please consult [page 7](#) for the palette of DatesWeiser finishes. Natural stone, non-standard glass and veneer, and other technology options are available. Please email [customerservice@datesweiser.com](mailto:customerservice@datesweiser.com) for a custom quote. Consult technical information on [page 282](#) for construction details and technical information.

# Highline Square Meeting Table

48"x48"/ 4 Person

02M48S



Starting Price: **\$8,171**

48x48 table, veneer Tier 1 top with metal edge, open x base, powder coat metal finish

Base Pattern Number: 02M48S

## Step 1. Top Material

V	Veneer
G	Glass
C	Corian
Q	Caesarstone

## Step 2. Edge Selection/Finish

N__	No Edge	+0
AU__	Spinneybeck Leather: Acqua	+1,517
MC__	Powder Coat	+0
PM01	Polished Chrome	+1,344
PM02	Satin Nickel	+1,344
PM03	Oil Rubbed Bronze	+3,354

## Step 3. Base Type

OP	Open Base	+0
WM	Wire Management Base	+ 8,080

## Step 4. Base Finish

MC__	Powder Coat	+0
PM01	Polished Chrome	+465
PM02	Satin Nickel	+465
PM03	Oil Rubbed Bronze	+2,709

## Step 5. Top Finish

T1__	Veneer Tier 1	+0
T2__	Veneer Tier 2	+405
GC__	Clear Glass, back painted	+1,746
GE__	Etched matte Glass, back painted	+2,099
CS01	Corian Glacier White	+2,558
QS__	Caesarstone	+6,615

## Step 6. Power & Connectivity Access: Optional

TMHW	Tabletop, Metal lid, Hardwired, Qty 1	+2,589
TMPI	Tabletop, Metal lid, Plug In, Qty 1	+2,318
TMLK	Tabletop, Metal lid, Linkable, Qty 1	+2,318
UMHW	Undermount, Hardwired, Qty 2	+2,248
UMPI	Undermount, Plug In, Qty 2	+1,634
UMLK	Undermount, Linkable, Qty 2	+1,634
SOHW	Slide Out, Hardwired, Qty 2	+3,916
SOP1	Slide Out, Plug In, Qty 2	+3,322
SOLK	Slide Out, Linkable, Qty 2	+3,322

## Step 5. Microphone and/or Grommet Accommodations: Optional

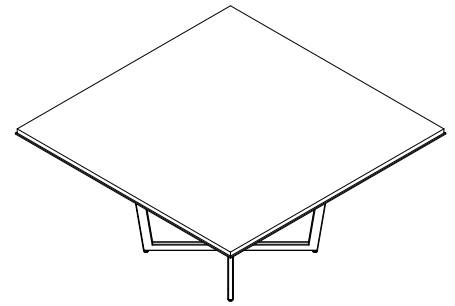
MA__	Microphone hole (factory cut)	Qty __ x 354 each
GM__	2" Grommet Hole (factory cut), liner, lid, in matching metal finish	Qty __ x 466 each

Please consult [page 7](#) for the palette of DatesWeiser finishes. Natural stone, non-standard glass and veneer, and other technology options are available. Please email [customerservice@datesweiser.com](mailto:customerservice@datesweiser.com) for a custom quote. Consult technical information on [page 282](#) for construction details and technical information.

# Highline Square Meeting Table

60"x60"/ 8 Person

02M60S



Starting Price: **\$10,230**

60x60 table, veneer Tier 1 top with metal edge, open x base, powder coat metal finish

Base Pattern Number: 02M60S

## Step 1. Top Material

V	Veneer
G	Glass
C	Corian
Q	Caesarstone

## Step 2. Edge Selection/Finish

N__	No Edge	+0
AU__	Spinneybeck Leather: Acqua	+1,896
MC__	Powder Coat	+0
PM01	Polished Chrome	+1,332
PM02	Satin Nickel	+1,332
PM03	Oil Rubbed Bronze	+3,354

## Step 3. Base Type

OP	Open Base	+0
WM	Wire Management Base	+ 8,080

## Step 4. Base Finish

MC__	Powder Coat	+0
PM01	Polished Chrome	+465
PM02	Satin Nickel	+465
PM03	Oil Rubbed Bronze	+2,709

## Step 5. Top Finish

T1__	Veneer Tier 1	+0
T2__	Veneer Tier 2	+634
GC__	Clear Glass, back painted	+2,729
GE__	Etched matte Glass, back painted	+3,280
CS01	Corian Glacier White	+3,996
QS__	Caesarstone*	+10,336

## Step 6. Power & Connectivity Access: Optional

TMHW	Tabletop, Metal lid, Hardwired, Qty 1	+2,589
TMPI	Tabletop, Metal lid, Plug In, Qty 1	+2,318
TMLK	Tabletop, Metal lid, Linkable, Qty 1	+2,318
UMHW	Undermount, Hardwired, Qty 2	+2,248
UMPI	Undermount, Plug In, Qty 2	+1,634
UMLK	Undermount, Linkable, Qty 2	+1,634
SOHW	Slide Out, Hardwired, Qty 2	+3,916
SOPI	Slide Out, Plug In, Qty 2	+3,322
SOLK	Slide Out, Linkable, Qty 2	+3,322

## Step 5. Microphone and/or Grommet Accommodations: Optional

MA__	Microphone hole (factory cut)	Qty __ x 354 each
GM__	2" Grommet Hole (factory cut), liner, lid, in matching metal finish	Qty __ x 466 each

Please consult [page 7](#) for the palette of DatesWeiser finishes. Natural stone, non-standard glass and veneer, and other technology options are available. Please email [customerservice@datesweiser.com](mailto:customerservice@datesweiser.com) for a custom quote. Consult technical information on [page 282](#) for construction details and technical information.

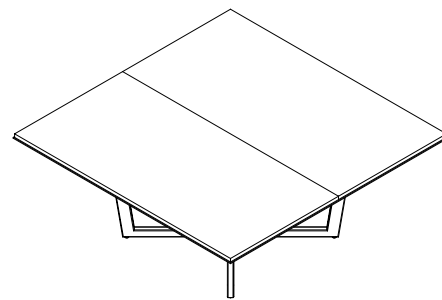
\*Tables with a Caesarstone finish require a 2-section top.



# Highline Square Meeting Table

72"x72" / 8 Person

02M72SOP



Starting Price: **\$11,891**

72x72 table, veneer Tier 1 top with metal edge, open x base, powder coat metal finish

Base Pattern Number: 02M72S

## Step 1. Top Material

V	Veneer
G	Glass
C	Corian
Q	Caesarstone

## Step 2. Edge Selection/Finish

N__	No Edge	+0
AU__	Spinneybeck Leather: Acqua	+2,275
MC__	Powder Coat	+0
PM01	Polished Chrome	+1,140
PM02	Satin Nickel	+1,140
PM03	Oil Rubbed Bronze	+3,052

## Step 3. Base Type

OP	Open Base	+0
WM	Wire Management Base	+8,968

## Step 4. Base Finish

MC__	Powder Coat	+0
PM01	Polished Chrome	+465
PM02	Satin Nickel	+465
PM03	Oil Rubbed Bronze	+2,709

## Step 5. Top Finish

T1__	Veneer Tier 1	+0
T2__	Veneer Tier 2	+914
GC__	Clear Glass, back painted	+3,930
GE__	Etched matte Glass, back painted	+8,032
CS01	Corian Glacier White	+5,755
QS__	Caesarstone	+14,884

## Step 6. Power & Connectivity Access: Optional

TMHW	Tabletop, Metal lid, Hardwired, Qty 1	+2,589
TMPI	Tabletop, Metal lid, Plug In, Qty 1	+2,318
TMLK	Tabletop, Metal lid, Linkable, Qty 1	+2,318
UMHW	Undermount, Hardwired, Qty 4	+4,496
UMPI	Undermount, Plug In, Qty 4	+3,268
UMLK	Undermount, Linkable, Qty 4	+3,268
SOHW	Slide Out, Hardwired, Qty 4	+7,832
SOP1	Slide Out, Plug In, Qty 4	+6,644
SOLK	Slide Out, Linkable, Qty 4	+6,644

## Step 7. Microphone and/or Grommet Accommodations: Optional

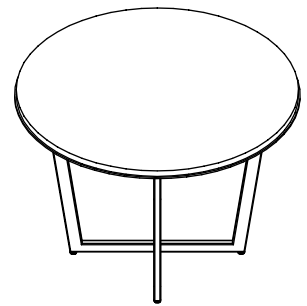
MA__	Microphone hole (factory cut)	Qty __ x 354 each
GM__	2" Grommet hole (factory cut), liner, lid, in matching metal finish	Qty __ x 466 each

Please consult [page 7](#) for the palette of DatesWeiser finishes. Natural stone, non-standard glass and veneer, and other technology options are available. Please email [customerservice@datesweiser.com](mailto:customerservice@datesweiser.com) for a custom quote. Consult technical information on [page 282](#) for construction details and technical information.

# Highline Round Meeting Table

42" / 4 Person

02M42C



Starting Price: **\$10,086**

42" table, veneer Tier 1 top with metal edge, open x base, powder coat metal finish

Base Pattern Number: 02M42C

## Step 1. Top Material

V	Veneer
G	Glass
C	Corian
Q	Caesarstone

## Step 2. Edge Selection/Finish

N__	No Edge	+0
AU__	Spinneybeck Leather: Acqua	+1,309
MC__	Powder Coat	+0
PM01	Polished Chrome	+322
PM02	Satin Nickel	+322
PM03	Oil Rubbed Bronze	+1,978

## Step 3. Base Type

OP	Open Base	+0
----	-----------	----

## Step 4. Base Finish

MC__	Powder Coat	+0
PM01	Polished Chrome	+465
PM02	Satin Nickel	+465
PM03	Oil Rubbed Bronze	+2,709

## Step 5. Top Finish

T1__	Veneer Tier 1	+0
T2__	Veneer Tier 2	+312
GC__	Clear Glass, back painted	+2,027
GE__	Etched matte Glass, back painted	+2,465
CS01	Corian Glacier White	+3,242
QS__	Caesarstone	+6,416

## Step 6. Microphone and/or Grommet Accommodations: Optional

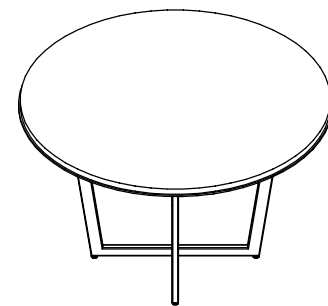
MA__	Microphone hole (factory cut)	Qty__ x 354 each
GM__	2" Grommet hole (factory cut), liner, lid, in matching metal finish	Qty__ x 466 each

Please consult [page 7](#) for the palette of DatesWeiser finishes. Natural stone, non-standard glass and veneer, and other technology options are available. Please email [customerservice@datesweiser.com](mailto:customerservice@datesweiser.com) for a custom quote. Consult technical information on [page 282](#) for construction details and technical information.

# Highline Round Meeting Table

48" / 4 Person

02M48C



Starting Price: **\$10,564**

48" table, veneer Tier 1 top with metal edge, open x base, powder coat metal finish

Base Pattern Number: 02M48C

## Step 1. Top Material

V	Veneer
G	Glass
C	Corian
Q	Caesarstone

## Step 2. Edge Selection/Finish

N__	No Edge	+0
AU__	Spinneybeck Leather: Acqua	+1,496
MC__	Powder Coat	+0
PM01	Polished Chrome	+322
PM02	Satin Nickel	+322
PM03	Oil Rubbed Bronze	+1,978

## Step 3. Base Type

OP	Open Base	+0
WM	Wire Management Base	+8,080

## Step 4. Base Finish

MC__	Powder Coat	+0
PM01	Polished Chrome	+465
PM02	Satin Nickel	+465
PM03	Oil Rubbed Bronze	+2,709

## Step 5. Top Finish

T1__	Veneer Tier 1	+0
T2__	Veneer Tier 2	+406
GC__	Clear Glass, back painted	+2,646
GE__	Etched matte Glass, back painted	+3,175
CS01	Corian Glacier White	+4,234
QS__	Caesarstone	+8,379

## Step 6. Power & Connectivity Access: Optional

TMHW	Tabletop, Metal lid, Hardwired, Qty 1	+2,589
TMPI	Tabletop, Metal lid, Plug In, Qty 1	+2,318
TMLK	Tabletop, Metal lid, Linkable, Qty 1	+2,318
UMHW	Undermount, Hardwired, Qty 2	+2,248
UMPI	Undermount, Plug In, Qty 2	+1,634
UMLK	Undermount, Linkable, Qty 2	+1,634
SOHW	Slide Out, Hardwired, Qty 2	+3,916
SOPI	Slide Out, Plug In, Qty 2	+3,322
SOLK	Slide Out, Linkable, Qty 2	+3,322

## Step 5. Microphone and/or Grommet Accommodations: Optional

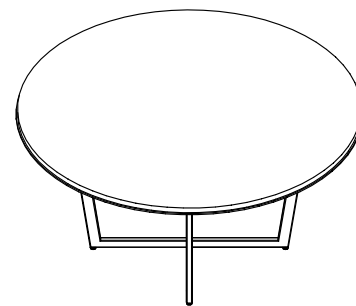
MA__	Microphone hole (factory cut)	Qty __ x 354 each
GM__	2" Grommet Hole (factory cut), liner, lid, in matching metal finish	Qty __ x 466 each

Please consult [page 7](#) for the palette of DatesWeiser finishes. Natural stone, non-standard glass and veneer, and other technology options are available. Please email [customerservice@datesweiser.com](mailto:customerservice@datesweiser.com) for a custom quote. Consult technical information on [page 282](#) for construction details and technical information.

# Highline Round Meeting Table

60" / 6 Person

02M60C



Starting Price: **\$13,674**

60" table, veneer Tier 1 top with metal edge, open x base, powder coat metal finish

Base Pattern Number: 02M60C

## Step 1. Top Material

V	Veneer
G	Glass
C	Corian
Q	Caesarstone

## Step 2. Edge Selection/Finish

N__	No Edge	+0
AU__	Spinneybeck Leather: Acqua	+1,870
MC__	Powder Coat	+0
PM01	Polished Chrome	+261
PM02	Satin Nickel	+261
PM03	Oil Rubbed Bronze	+1,935

## Step 3. Base Type

OP	Open Base	+0
WM	Wire Management Base	+8,080

## Step 4. Base Finish

MC__	Powder Coat	+0
PM01	Polished Chrome	+465
PM02	Satin Nickel	+465
PM03	Oil Rubbed Bronze	+2,709

## Step 5. Top Finish

T1__	Veneer Tier 1	+0
T2__	Veneer Tier 2	+634
GC__	Clear Glass, back painted	+4,135
GE__	Etched matte Glass, back painted	+4,961
CS01	Corian Glacier White	+6,615
QS__	Caesarstone	+13,093

## Step 6. Power & Connectivity Access: Optional

TMHW	Tabletop, Metal lid, Hardwired, Qty 1	+2,589
TMPI	Tabletop, Metal lid, Plug In, Qty 1	+2,318
TMLK	Tabletop, Metal lid, Linkable, Qty 1	+2,318
UMHW	Undermount, Hardwired, Qty 2	+2,248
UMPI	Undermount, Plug In, Qty 2	+1,634
UMLK	Undermount, Linkable, Qty 2	+1,634
SOHW	Slide Out, Hardwired, Qty 2	+3,916
SOPI	Slide Out, Plug In, Qty 2	+3,322
SOLK	Slide Out, Linkable, Qty 2	+3,322

## Step 5. Microphone and/or Grommet Accommodations: Optional

MA__	Microphone hole (factory cut)	Qty __ x 354 each
GM__	2" Grommet Hole (factory cut), liner, lid, in matching metal finish	Qty __ x 466 each

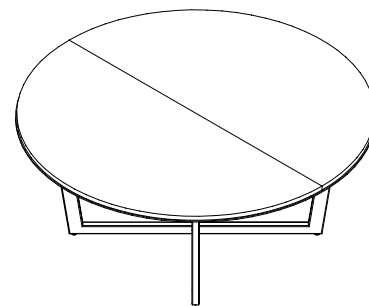
Please consult [page 7](#) for the palette of DatesWeiser finishes. Natural stone, non-standard glass and veneer, and other technology options are available. Please email [customerservice@datesweiser.com](mailto:customerservice@datesweiser.com) for a custom quote. Consult technical information on [page 282](#) for construction details and technical information.

\*Tables with a Caesarstone finish require a 2-section top.

# Highline Round Meeting Table

72" / 8 Person

02M72C



Starting Price: **\$15,188**

72" table, veneer Tier 1 top with metal edge, open x base, powder coat metal finish

Base Pattern Number: 02M72C

## Step 1. Top Material

V	Veneer
G	Glass
C	Corian
Q	Caesarstone

## Step 2. Edge Selection/Finish

N__	No Edge	+0
AU__	Spinneybeck Leather: Acqua	+2,245
MC__	Powder Coat	+0
PM01	Polished Chrome	+261
PM02	Satin Nickel	+261
PM03	Oil Rubbed Bronze	+1,935

## Step 3. Base Type

OP	Open Base	+0
WM	Wire Management Base	+8,968

## Step 4. Base Finish

MC__	Powder Coat	+0
PM01	Polished Chrome	+465
PM02	Satin Nickel	+465
PM03	Oil Rubbed Bronze	+2,709

## Step 5. Top Finish

T1__	Veneer Tier 1	+0
T2__	Veneer Tier 2	+902
GC__	Clear Glass, back painted, color	+5,954
GE__	Etched matte Glass, back painted, color	+7,144
CS01	Corian Glacier White	+9,526
QS__	Caesarstone	+18,853

## Step 6. Power & Connectivity Access: Optional

TMHW	Tabletop, Metal lid, Hardwired, Qty 1	+2,589
TMPI	Tabletop, Metal lid, Plug In, Qty 1	+2,318
TMLK	Tabletop, Metal lid, Linkable, Qty 1	+2,318
UMHW	Undermount, Hardwired, Qty 4	+4,496
UMPI	Undermount, Plug In, Qty 4	+3,268
UMLK	Undermount, Linkable, Qty 4	+3,268
SOHW	Slide Out, Hardwired, Qty 4	+7,832
SOP1	Slide Out, Plug In, Qty 4	+6,644
SOLK	Slide Out, Linkable, Qty 4	+6,644

## Step 7. Microphone and/or Grommet Accommodations: Optional

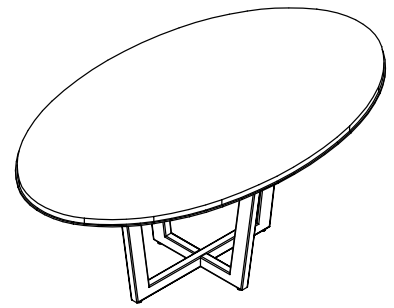
MA__	Microphone hole (factory cut)	Qty __ x 354 each
GM__	2" Grommet hole (factory cut), liner, lid, in matching metal finish	Qty __ x 466 each

Please consult [page 7](#) for the palette of DatesWeiser finishes. Natural stone, non-standard glass and veneer, and other technology options are available. Please email [customerservice@datesweiser.com](mailto:customerservice@datesweiser.com) for a custom quote. Consult technical information on [page 282](#) for construction details and technical information.

# Highline Elliptical Meeting Table

42"x72" / 6 Person

02M42E



**Starting Price:** **\$14,312**

42x72 table, veneer Tier 1 top with metal edge, open x base, powder coat metal finish

Base Pattern Number: 02M42E

Please consult [page 7](#) for the palette of DatesWeiser finishes. Natural stone, non-standard glass and veneer, and other technology options are available. Please email [customerservice@datesweiser.com](mailto:customerservice@datesweiser.com) for a custom quote. Consult technical information on [page 282](#) for construction details and technical information.

## Step 1. Top Material

V	Veneer
G	Glass
C	Corian
Q	Caesarstone

## Step 2. Edge Selection/Finish

N__	No Edge	+0
AU__	Spinneybeck Leather: Acqua	+1,823
MC__	Powder Coat	+0
PM01	Polished Chrome	+492
PM02	Satin Nickel	+492
PM03	Oil Rubbed Bronze	+2,147

## Step 4. Base Finish

MC__	Powder Coat	+0
PM01	Polished Chrome	+465
PM02	Satin Nickel	+465
PM03	Oil Rubbed Bronze	+2,709

## Step 5. Top Finish

T1__	Veneer Tier 1	+0
T2__	Veneer Tier 2	+532
GC__	Clear Glass, back painted	+3,473
GE__	Etched matte Glass, back painted	+4,167
CS01	Corian Glacier White	+5,556
QS__	Caesarstone	+10,997

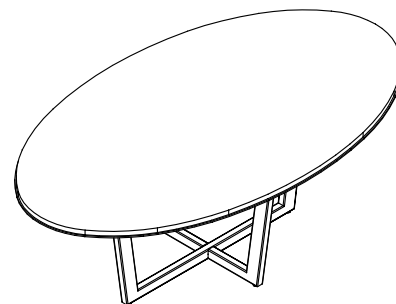
## Step 6. Microphone and/or Grommet Accommodations: Optional

MA__	Microphone hole (factory cut)	Qty__ x 354 each
GM__	2" Grommet hole (factory cut), liner, lid, in matching metal finish	Qty__ x 466 each

# Highline Elliptical Meeting Table

48"x84" / 8 Person

02M48E



Starting Price: **\$15,437**

48x84 table, veneer Tier 1 top with metal edge, open x base, powder coat metal finish

Base Pattern Number: 02M48E

## Step 1. Top Material

V	Veneer
G	Glass
C	Corian
Q	Caesarstone

## Step 2. Edge Selection/Finish

N__	No Edge	+0
AU__	Spinneybeck Leather: Acqua	+2,112
MC__	Powder Coat	+0
PM01	Polished Chrome	+709
PM02	Satin Nickel	+709
PM03	Oil Rubbed Bronze	+1,999

## Step 3. Base Type

OP	Open Base	+0
WM	Wire Management Base	+8,080

## Step 4. Base Finish

MC__	Powder Coat	+0
PM01	Polished Chrome	+465
PM02	Satin Nickel	+465
PM03	Oil Rubbed Bronze	+2,709

## Step 5. Top Finish

T1__	Veneer Tier 1	+0
T2__	Veneer Tier 2	+710
GC__	Clear Glass, back painted	+4,631
GE__	Etched matte Glass, back painted	+5,557
CS01	Corian Glacier White	+7,409
QS__	Caesarstone	+14,663

## Step 6. Power & Connectivity Access: Optional

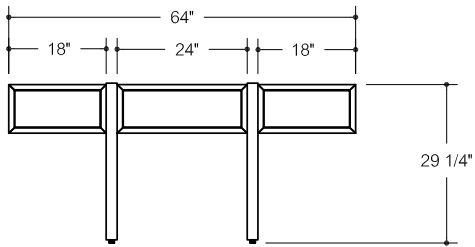
TMHW	Tabletop, Metal lid, Hardwired, Qty 1	+2,589
TMPI	Tabletop, Metal lid, Plug In, Qty 1	+2,318
TMLK	Tabletop, Metal lid, Linkable, Qty 1	+2,318
UMHW	Undermount, Hardwired, Qty 4	+4,496
UMPI	Undermount, Plug In, Qty 4	+3,268
UMLK	Undermount, Linkable, Qty 4	+3,268
SOHW	Slide Out, Hardwired, Qty 4	+7,832
SOPI	Slide Out, Plug In, Qty 4	+6,644
SOLK	Slide Out, Linkable, Qty 4	+6,644

## Step 7. Microphone and/or Grommet Accommodations: Optional

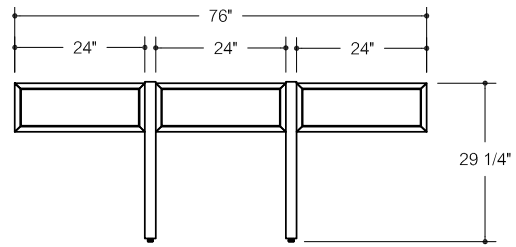
MA__	Microphone hole (factory cut)	Qty __ x 354 each
GM__	2" Grommet hole (factory cut), liner, lid, in matching metal finish	Qty __ x 466 each

Please consult [page 7](#) for the palette of DatesWeiser finishes. Natural stone, non-standard glass and veneer, and other technology options are available. Please email [customerservice@datesweiser.com](mailto:customerservice@datesweiser.com) for a custom quote. Consult technical information on [page 282](#) for construction details and technical information.

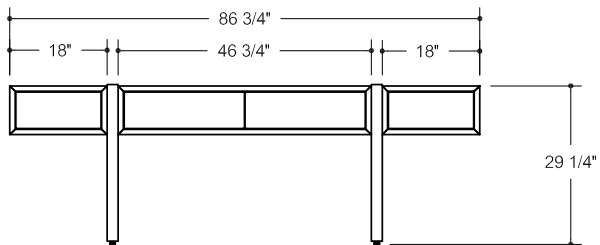
# Highline Credenzas Index



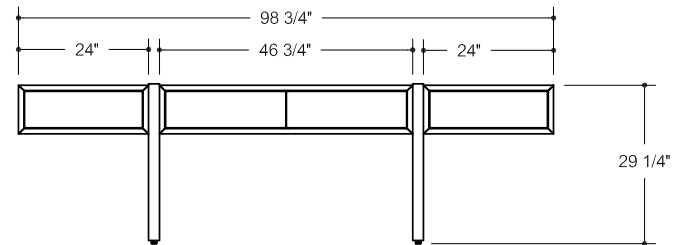
02C1H64



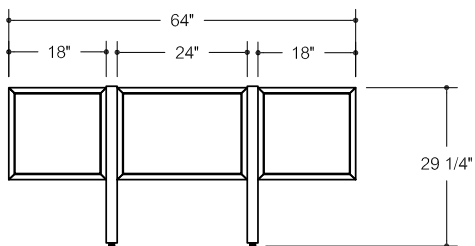
02C1H76



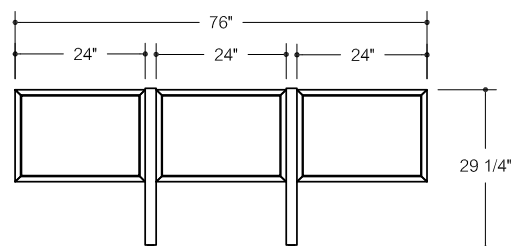
02C1H87



02C1H99

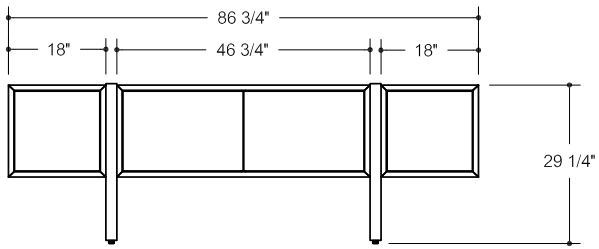


02C2H64

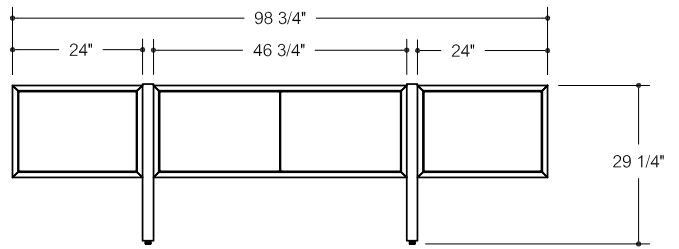


02C2H76

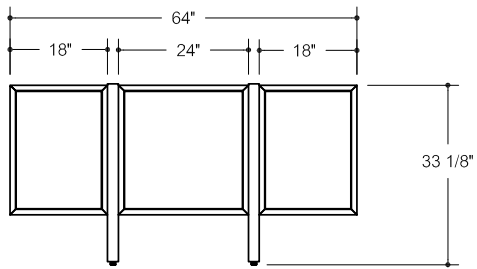




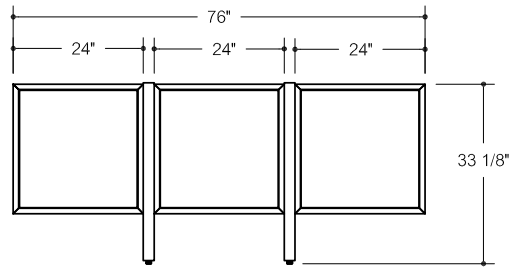
02C2H87



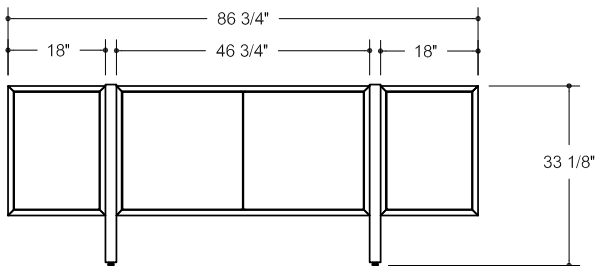
02C2H99



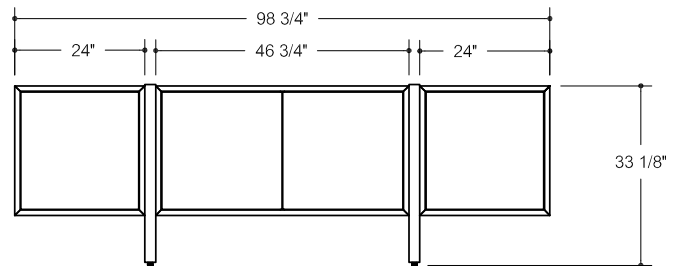
02C3H64



02C3H76



02C3H87

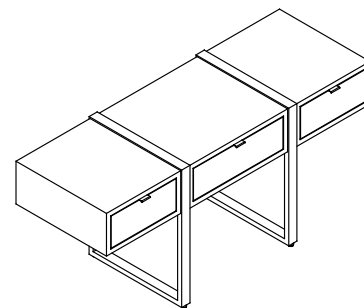


02C3H99

# 1H Highline Credenza

64" Long

02C1H64



Starting Price: **\$8,813**

64" 1 High credenza, all open, satin lacquer, powder coat legs

Pattern Number: 02C1H64

## Step 1. Top Material

NT	No Top
FG	Full Glass
SG	3 Section
CG	Center Section only

## Step 2. Top Finish

		SECTION TOP	CENTER TOP	FULL TOP
GC00	Clear Glass	N/A	N/A	+977
GC__	Clear Glass back painted	+1,161	+450	N/A
GE__	Etched Glass back painted	+1,595	+651	N/A
CS01	Corian Glacier white	+2,014	+821	N/A
QS__	Caesarstone	+4,028	+1,641	N/A

## Step 3. Case Finish

SL__	Satin Lacquer	+0
T1	Veneer Tier 1	+1,150
T2	Veneer Tier 2	+2,247
HG__	High Gloss Polyester	+3,764

## Step 4. Leg Finish

MC__	Powder Coat	+0
PM01	Polished Chrome	+377
PM02	Satin Nickel	+377
PM03	Oil Rubbed Bronze	+704

## Step 5. Door/Drawer Face Finish

SL__	Satin Lacquer	+0
T1__	Veneer Tier 1	+383
T2__	Veneer Tier 2	+749
HG__	High Gloss Polyester	+1,255

## Step 6. Configuration (3 positions – Left/Center/Right)

Specify Left to Right: Select case configurations for 3 available positions.

1__18	Left
1__24	Center
1__18	Right

### LEFT

1OP18	Open	+0
1DW18	Drawer	+573

### CENTER

1OP24	Open	+0
1DW24	Drawers	+572

### RIGHT

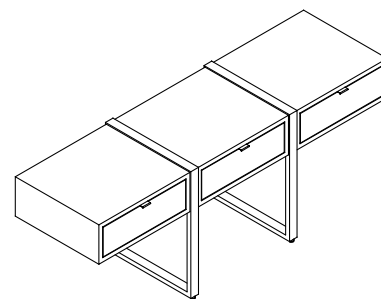
1OP18	Open	+0
1DW18	Drawer	+573

Please consult [page 7](#) for the palette of DatesWeiser finishes. Natural stone, non-standard glass and veneer, and other technology options are available. Please email [customerservice@datesweiser.com](mailto:customerservice@datesweiser.com) for a custom quote. Consult technical information on [page 289](#) for construction details and technical information.

# 1H Highline Credenza

76" Long

02C1H76



Starting Price: **\$9,391**

76" 1 High credenza, all open, satin lacquer, powder coat legs

Pattern Number: 02C1H76

## Step 1. Top Material

NT	No Top
FG	Full Glass
SG	3 Section
CG	Center Section only

## Step 2. Top Finish

		SECTION TOP	CENTER TOP	FULL TOP
GC00	Clear Glass	N/A	N/A	+1,162
GC__	Clear Glass back painted	+1,352	+450	N/A
GE__	Etched Glass back painted	+1,952	+651	N/A
CS01	Corian Glacier white	+2,464	+821	N/A
QS__	Caesarstone	+4,925	+1,641	N/A

## Step 3. Case Finish

SL__	Satin Lacquer	+0
T1	Veneer Tier 1	+1,309
T2	Veneer Tier 2	+2,561
HG__	High Gloss Polyester	+4,313

## Step 4. Leg Finish

MC__	Powder Coat	+0
PM01	Polished Chrome	+377
PM02	Satin Nickel	+377
PM03	Oil Rubbed Bronze	+704

## Step 5. Door/Drawer Face Finish

SL__	Satin Lacquer	+0
T1__	Veneer Tier 1	+437
T2__	Veneer Tier 2	+855
HG__	High Gloss Polyester	+1,437

## Step 6. Configuration (3 positions – Left/Center/Right)

Specify Left to Right: Select case configurations for 3 available positions

1__24	Left
1__24	Center
1__24	Right

### LEFT

1OP24	Open	+0
1DW24	Drawers	+ 572

### CENTER

1OP24	Open	+0
1DW24	Drawers	+ 572

### RIGHT

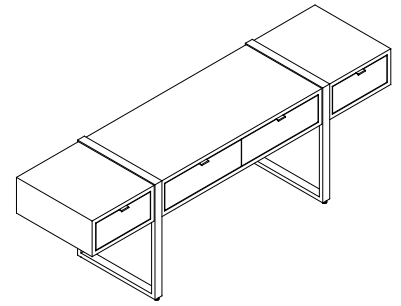
1OP24	Open	+0
1DW24	Drawers	+ 572

Please consult [page 7](#) for the palette of DatesWeiser finishes. Natural stone, non-standard glass and veneer, and other technology options are available. Please email [customerservice@datesweiser.com](mailto:customerservice@datesweiser.com) for a custom quote. Consult technical information on [page 289](#) for construction details and technical information.

# 1H Highline Credenza

87" Long

02C1H87



**Starting Price: \$10,453**

87" 1 High credenza, all open, satin lacquer, powder coat legs

Pattern Number: 02C1H87

## Step 1. Top Material

NT	No Top
FG	Full Glass
SG	3 Section
CG	Center Section only

## Step 2. Top Finish

		SECTION TOP	CENTER TOP	FULL TOP
GC00	Clear Glass	N/A	N/A	+1,325
GC__	Clear Glass back painted	+1,749	+1,040	N/A
GE__	Etched Glass back painted	+2,306	+1,360	N/A
CS01	Corian Glacier white	+3,080	+1,887	N/A
QS__	Caesarstone	+6,158	+3,773	N/A

## Step 3. Case Finish

SL__	Satin Lacquer	+0
T1	Veneer Tier 1	+1,455
T2	Veneer Tier 2	+2,853
HG__	High Gloss Polyester	+4,805

## Step 4. Leg Finish

MC__	Powder Coat	+0
PM01	Polished Chrome	+377
PM02	Satin Nickel	+377
PM03	Oil Rubbed Bronze	+704

## Step 5. Door/Drawer Face Finish

SL__	Satin Lacquer	+0
T1__	Veneer Tier 1	+485
T2__	Veneer Tier 2	+950
HG__	High Gloss Polyester	+1,602

## Step 6. Configuration (3 positions – Left/Center/Right)

Specify Left to Right: Select case configurations for 3 available positions

1__18	Left
1__46	Center
1__18	Right

### LEFT

1OP18	Open	+0
1DW18	Drawers	+573

### CENTER

1OP18	Open	+0
1DW46	Drawers	+1,158

### RIGHT

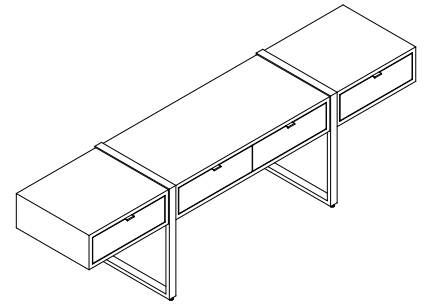
1OP18	Open	+0
1DW18	Drawers	+573

Please consult [page 7](#) for the palette of DatesWeiser finishes. Natural stone, non-standard glass and veneer, and other technology options are available. Please email [customerservice@datesweiser.com](mailto:customerservice@datesweiser.com) for a custom quote. Consult technical information on [page 289](#) for construction details and technical information.

# 1H Highline Credenza

99" Long

02C1H99



Starting Price: **\$11,303**

99" 1 High credenza, all open, satin lacquer, powder coat legs

Pattern Number: 02C1H99

## Step 1. Top Material

NT	No Top
FG	Full Glass
SG	3 Section
CG	Center Section only

## Step 2. Top Finish

		SECTION TOP	CENTER TOP	FULL TOP
GC00	Clear Glass	N/A	N/A	+1,511
GC__	Clear Glass back painted	+1,941	+1,040	N/A
GE__	Etched Glass back painted	+2,661	+1,360	N/A
CS01	Corian Glacier white	+3,529	+1,887	N/A
QS__	Caesarstone	+7,056	+3,773	N/A

## Step 3. Case Finish

SL__	Satin Lacquer	+0
T1	Veneer Tier 1	+1,611
T2	Veneer Tier 2	+3,168
HG__	High Gloss Polyester	+5,357

## Step 4. Leg Finish

MC__	Powder Coat	+0
PM01	Polished Chrome	+377
PM02	Satin Nickel	+377
PM03	Oil Rubbed Bronze	+704

## Step 5. Door/Drawer Face Finish

SL__	Satin Lacquer	+0
T1__	Veneer Tier 1	+537
T2__	Veneer Tier 2	+1,056
HG__	High Gloss Polyester	+1,786

## Step 6. Configuration (3 positions – Left/Center/Right)

Specify Left to Right: Select case configurations for 3 available positions

1__24	Left
1__46	Center
1__24	Right

### LEFT

1OP24	Open	+0
1DW24	Drawer	+573

### CENTER

1OP46	Open	+0
1DW46	Drawers	+1,158

### RIGHT

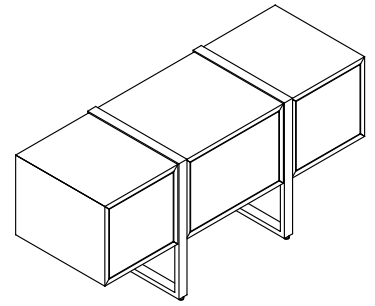
1OP24	Open	+0
1DW24	Drawer	+573

Please consult [page 7](#) for the palette of DatesWeiser finishes. Natural stone, non-standard glass and veneer, and other technology options are available. Please email [customerservice@datesweiser.com](mailto:customerservice@datesweiser.com) for a custom quote. Consult technical information on [page 289](#) for construction details and technical information.

# 2H Highline Credenza

64" Long

02C2H64



Starting Price: **\$11,101**

64" 2 High credenza, all doors, satin lacquer, powder coat legs

Pattern Number: 02C2H64

## Step 1. Top Material

NT	No Top
FG	Full Glass
SG	3 Section
CG	Center Section only

## Step 2. Top Finish

		SECTION TOP	CENTER TOP	FULL TOP
GC00	Clear Glass	N/A	N/A	+977
GC__	Clear Glass back painted	+1,161	+450	N/A
GE__	Etched Glass back painted	+1,596	+651	N/A
CS01	Corian Glacier white	+2,014	+821	N/A
QS__	Caesarstone	+4,028	+1,641	N/A

## Step 3. Case Finish

SL__	Satin Lacquer	+0
T1	Veneer Tier 1	+1,668
T2	Veneer Tier 2	+3,680
HG__	High Gloss Polyester	+6,920

## Step 4. Leg Finish

MC__	Powder Coat	+0
PM01	Polished Chrome	+377
PM02	Satin Nickel	+377
PM03	Oil Rubbed Bronze	+704

## Step 5. Door/Drawer Face Finish

SL__	Satin Lacquer	+0
T1__	Veneer Tier 1	+555
T2__	Veneer Tier 2	+1,227
HG__	High Gloss Polyester	+2,307

## Step 6. Configuration (3 positions – Left/Center/Right)

Specify Left to Right: Select case configurations for 3 available positions

2__18	Left
2__24	Center
2__18	Right

### LEFT

2DR18	Door	+0
2DW18	Drawers	+438
2OW18	Open over Drawer	+346
2TT18	Trash thru Top	+803

### CENTER

2DR24	Door	+0
2DW24	Drawers	+690
2OW24	Open over Drawer	+506

### RIGHT

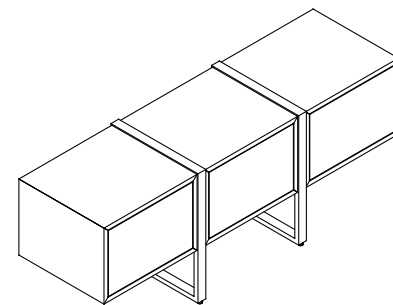
2DR18	Door	+0
2DW18	Drawers	+438
2OW18	Open over Drawer	+346
2TT18	Trash thru Top	+803

Please consult [page 7](#) for the palette of DatesWeiser finishes. Natural stone, non-standard glass and veneer, and other technology options are available. Please email [customerservice@datesweiser.com](mailto:customerservice@datesweiser.com) for a custom quote. Consult technical information on [page 289](#) for construction details and technical information.

# 2H Highline Credenza

76" Long

02C2H76



Starting Price: **\$11,769**

76" 2 High credenza, all doors, satin lacquer, powder coat legs

Pattern Number: 02C2H76

### Step 1. Top Material

NT	No Top
FG	Full Glass
SG	3 Section
CG	Center Section only

### Step 2. Top Finish

		SECTION TOP	CENTER TOP	FULL TOP
GC00	Clear Glass	N/A	N/A	+1,162
GC__	Clear Glass back painted	+1,352	+450	N/A
GE__	Etched Glass back painted	+1,952	+651	N/A
CS01	Corian Glacier white	+2,464	+821	N/A
QS__	Caesarstone	+4,925	+1,641	N/A

### Step 3. Case Finish

SL__	Satin Lacquer	+0
T1	Veneer Tier 1	+1,832
T2	Veneer Tier 2	+4,065
HG__	High Gloss Polyester	+7,733

### Step 4. Leg Finish

MC__	Powder Coat	+0
PM01	Polished Chrome	+377
PM02	Satin Nickel	+377
PM03	Oil Rubbed Bronze	+704

### Step 5. Door/Drawer Face Finish

SL__	Satin Lacquer	+0
T1__	Veneer Tier 1	+611
T2__	Veneer Tier 2	+1,355
HG__	High Gloss Polyester	+2,578

### Step 6. Configuration (3 positions – Left/Center/Right)

Specify Left to Right: Select case configurations for 3 available positions

2__24	Left
2__24	Center
2__24	Right

#### LEFT

2DR24	Door	+0
2DW24	Drawers	+690
2OW24	Open over Drawer	+506
2TT24	Trash thru Top	+795

#### CENTER

2DR24	Door	+0
2DW24	Drawers	+690
2OW24	Open over Drawer	+506

#### RIGHT

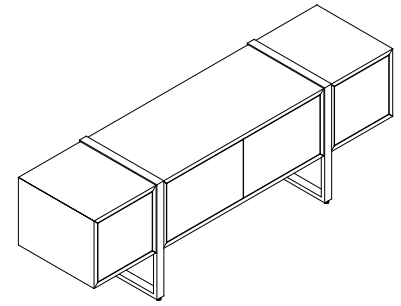
2DR24	Door	+0
2DW24	Drawers	+690
2OW24	Open over Drawer	+506
2TT24	Trash thru Top	+795

Please consult [page 7](#) for the palette of DatesWeiser finishes. Natural stone, non-standard glass and veneer, and other technology options are available. Please email [customerservice@datesweiser.com](mailto:customerservice@datesweiser.com) for a custom quote. Consult technical information on [page 289](#) for construction details and technical information.

# 2H Highline Credenza

87" Long

02C2H87



**Starting Price: \$13,267**

87" 2 High credenza, all doors, satin lacquer, powder coat legs

Pattern Number: 02C2H87

### Step 1. Top Material

NT	No Top
FG	Full Glass
SG	3 Section
CG	Center Section only

### Step 2. Top Finish

		SECTION TOP	CENTER TOP	FULL TOP
GC00	Clear Glass	N/A	N/A	+1,325
GC__	Clear Glass back painted	+1,749	+1,040	N/A
GE__	Etched Glass back painted	+2,306	+1,360	N/A
CS01	Corian Glacier white	+3,080	+1,887	N/A
QS__	Caesarstone	+6,158	+3,773	N/A

### Step 3. Case Finish

SL__	Satin Lacquer	+0
T1	Veneer Tier 1	+2,044
T2	Veneer Tier 2	+4,499
HG__	High Gloss Polyester	+8,467

### Step 4. Leg Finish

MC__	Powder Coat	+0
PM01	Polished Chrome	+377
PM02	Satin Nickel	+377
PM03	Oil Rubbed Bronze	+704

### Step 5. Door/Drawer Face Finish

SL__	Satin Lacquer	+0
T1__	Veneer Tier 1	+681
T2__	Veneer Tier 2	+1,499
HG__	High Gloss Polyester	+2,823

### Step 6. Configuration (3 positions – Left/Center/Right)

Specify Left to Right: Select case configurations for 3 available positions

2__18	Left
2__46	Center
2__18	Right

#### LEFT

2DR18	Door	+0
2DW18	Drawers	+438
2OW18	Open over Drawer	+346
2TT18	Trash thru Top	+803

#### CENTER

2DR46	Doors	+0
2DW46	Drawers	+1,078
2OW46	Open over Drawers	+705

#### RIGHT

2DR18	Door	+0
2DW18	Drawers	+438
2OW18	Open over Drawer	+346
2TT18	Trash thru Top	+803

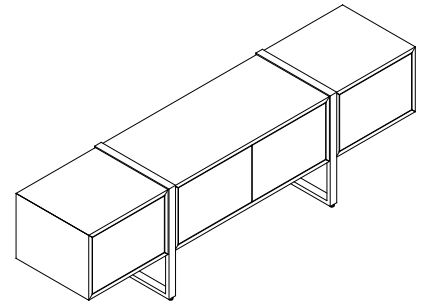
Please consult [page 7](#) for the palette of DatesWeiser finishes. Natural stone, non-standard glass and veneer, and other technology options are available. Please email [customerservice@datesweiser.com](mailto:customerservice@datesweiser.com) for a custom quote. Consult technical information on [page 289](#) for construction details and technical information.



# 2H Highline Credenza

99" Long

02C2H99



Starting Price: **\$14,089**

99" 2 High credenza, all doors, satin lacquer, powder coat legs

Pattern Number: 02C2H99

### Step 1. Top Material

NT	No Top
FG	Full Glass
SG	3 Section
CG	Center Section only

### Step 2. Top Finish

		SECTION TOP	CENTER TOP	FULL TOP
GC00	Clear Glass	N/A	N/A	+1,511
GC__	Clear Glass back painted	+1,841	+1,040	N/A
GE__	Etched Glass back painted	+2,661	+1,360	N/A
CS01	Corian Glacier white	+3,529	+1,887	N/A
QS__	Caesarstone	+7,056	+3,773	N/A

### Step 3. Case Finish

SL__	Satin Lacquer	+0
T1	Veneer Tier 1	+2,252
T2	Veneer Tier 2	+4,933
HG__	High Gloss Polyester	+9,282

### Step 4. Leg Finish

MC__	Powder Coat	+0
PM01	Polished Chrome	+377
PM02	Satin Nickel	+377
PM03	Oil Rubbed Bronze	+704

### Step 5. Door/Drawer Face Finish

SL__	Satin Lacquer	+0
T1__	Veneer Tier 1	+751
T2__	Veneer Tier 2	+1,645
HG__	High Gloss Polyester	+3,094

### Step 6. Configuration (3 positions – Left/Center/Right)

Specify Left to Right: Select case configurations for 3 available positions

2__24	Left
2__46	Center
2__24	Right

#### LEFT

2DR24	Door	+0
2DW24	Drawers	+690
2OW24	Open over Drawer	+506
2TT24	Trash thru Top	+795

#### CENTER

2DR46	Doors	+0
2DW46	Drawers	+1,078
2OW46	Open over Drawers	+705

#### RIGHT

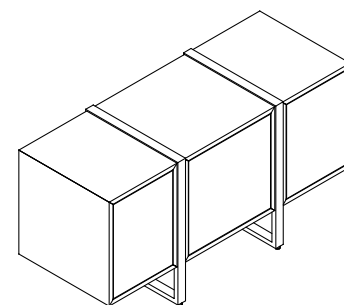
2DR24	Door	+0
2DW24	Drawers	+690
2OW24	Open over Drawer	+506
2TT24	Trash thru Top	+795

Please consult [page 7](#) for the palette of DatesWeiser finishes. Natural stone, non-standard glass and veneer, and other technology options are available. Please email [customerservice@datesweiser.com](mailto:customerservice@datesweiser.com) for a custom quote. Consult technical information on [page 289](#) for construction details and technical information.

# 3H Highline Credenza

64" Long

02C3H64



Starting Price: **\$12,178**

64" 3 High credenza, all doors, satin lacquer, powder coat legs

Pattern Number: 02C3H64

## Step 1. Top Material

NT	No Top
FG	Full Glass
SG	3 Section
CG	Center Section only

## Step 2. Top Finish

		SECTION TOP	CENTER TOP	FULL TOP
GC00	Clear Glass	N/A	N/A	+977
GC __	Clear Glass back painted	+1,161	+450	N/A
GE __	Etched Glass back painted	+1,596	+651	N/A
CS01	Corian Glacier white	+2,014	+821	N/A
QS __	Caesarstone	+4,028	+1,641	N/A

## Step 3. Case Finish

SL __	Satin Lacquer	+0
T1	Veneer Tier 1	+2,075
T2	Veneer Tier 2	+4,805
HG __	High Gloss Polyester	+9,427

## Step 4. Leg Finish

MC __	Powder Coat	+0
PM01	Polished Chrome	+377
PM02	Satin Nickel	+377
PM03	Oil Rubbed Bronze	+704

## Step 5. Door/Drawer Face Finish

SL __	Satin Lacquer	+0
T1 __	Veneer Tier 1	+691
T2 __	Veneer Tier 2	+1,602
HG __	High Gloss Polyester	+3,143

## Step 6. Configuration (3 positions – Left/Center/Right)

Specify Left to Right: Select case configurations for 3 available positions

3 __ 18	Left
3 __ 24	Center
3 __ 18	Right

### LEFT

3DR18	Door	+ 0
3DW18	Drawers	+ 938
3OW18	Open over Drawer	+ 746
3OR18	Open over Door	+ 638
3TT18	Trash thru Top	+806
3TP18	Trash Pull-Out	+1,402
3AV18	AV Case	+447

### CENTER

3DR24	Door	+0
3DW24	Drawers	+1,235
3OW24	Open over Drawer	+673
3OR24	Open over Door	+644
3TT24	Trash thru Top	+792
3TP24	Trash Pull-Out	+1,385
3AV24	AV Case	+435

### RIGHT

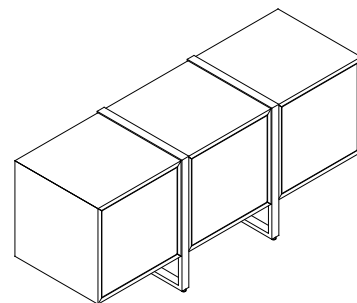
3DR18	Door	+ 0
3DW18	Drawers	+ 938
3OW18	Open over Drawer	+ 746
3OR18	Open over Door	+ 638
3TT18	Trash thru Top	+806
3TP18	Trash Pull-Out	+1,402
3AV18	AV Case	+447

Please consult [page 7](#) for the palette of DatesWeiser finishes. Natural stone, non-standard glass and veneer, and other technology options are available. Please email [customerservice@datesweiser.com](mailto:customerservice@datesweiser.com) for a custom quote. Consult technical information on [page 289](#) for construction details and technical information.

# 3H Highline Credenza

76" Long

02C3H76



Starting Price: **\$13,479**

76" 3 High credenza, all doors, satin lacquer, powder coat legs

Pattern Number: 02C3H76

## Step 1. Top Material

NT	No Top
FG	Full Glass
SG	3 Section
CG	Center Section only

## Step 2. Top Finish

		SECTION TOP	CENTER TOP	FULL TOP
GC00	Clear Glass	N/A	N/A	+1,162
GC __	Clear Glass back painted	+1,352	+450	N/A
GE __	Etched Glass back painted	+1,952	+651	N/A
CS01	Corian Glacier white	+2,464	+821	N/A
QS __	Caesarstone	+4,925	+1,641	N/A

## Step 3. Case Finish

SL __	Satin Lacquer	+0
T1	Veneer Tier 1	+2,252
T2	Veneer Tier 2	+5,261
HG __	High Gloss Polyester	+10,312

## Step 4. Leg Finish

MC __	Powder Coat	+0
PM01	Polished Chrome	+377
PM02	Satin Nickel	+377
PM03	Oil Rubbed Bronze	+704

## Step 5. Door/Drawer Face Finish

SL __	Satin Lacquer	+0
T1 __	Veneer Tier 1	+751
T2 __	Veneer Tier 2	+1,754
HG __	High Gloss Polyester	+3,438

## Step 6. Configuration (3 positions – Left/Center/Right)

Specify Left to Right: Select case configurations for 3 available positions

3 __ 24	Left
3 __ 24	Center
3 __ 24	Right

### LEFT

3DR24	Door	+0
3DW24	Drawers	+1,235
3OW24	Open over Drawer	+673
3OR24	Open over Door	+644
3TT24	Trash thru Top	+792
3TP24	Trash Pull-Out	+1,385
3AV24	AV Case	+435

### CENTER

3DR24	Door	+0
3DW24	Drawers	+1,235
3OW24	Open over Drawer	+673
3OR24	Open over Door	+644
3TT24	Trash thru Top	+792
3TP24	Trash Pull-Out	+1,385
3AV24	AV Case	+435

### RIGHT

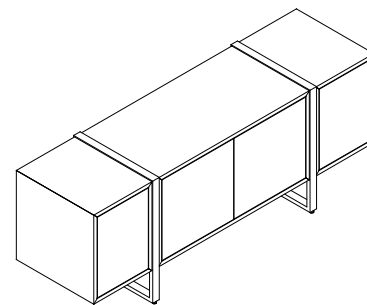
3DR24	Door	+0
3DW24	Drawers	+1,235
3OW24	Open over Drawer	+673
3OR24	Open over Door	+644
3TT24	Trash thru Top	+792
3TP24	Trash Pull-Out	+1,385
3AV24	AV Case	+435

Please consult [page 7](#) for the palette of DatesWeiser finishes. Natural stone, non-standard glass and veneer, and other technology options are available. Please email [customerservice@datesweiser.com](mailto:customerservice@datesweiser.com) for a custom quote. Consult technical information on [page 289](#) for construction details and technical information.

# 3H Highline Credenza

87" Long

02C3H87



Starting Price: **\$14,445**

87" 3 High credenza, all doors, satin lacquer, powder coat legs

Pattern Number: 02C3H87

## Step 1. Top Material

NT	No Top
FG	Full Glass
SG	3 Section
CG	Center Section only

## Step 2. Top Finish

		SECTION TOP	CENTER TOP	FULL TOP
GC00	Clear Glass	N/A	N/A	+1,325
GC __	Clear Glass back painted	+1,749	+1,040	N/A
GE __	Etched Glass back painted	+2,306	+1,360	N/A
CS01	Corian Glacier white	+3,080	+1,887	N/A
QS __	Caesarstone	+6,158	+3,773	N/A

## Step 3. Case Finish

SL __	Satin Lacquer	+0
T1	Veneer Tier 1	+2,565
T2	Veneer Tier 2	+5,826
HG __	High Gloss Polyester	+11,338

## Step 4. Leg Finish

MC __	Powder Coat	+0
PM01	Polished Chrome	+377
PM02	Satin Nickel	+377
PM03	Oil Rubbed Bronze	+704

## Step 5. Door/Drawer Face Finish

SL __	Satin Lacquer	+0
T1 __	Veneer Tier 1	+856
T2 __	Veneer Tier 2	+1,941
HG __	High Gloss Polyester	+3,779

## Step 6. Configuration (3 positions – Left/Center/Right)

Specify Left to Right: Select case configurations for 3 available positions

3 __ 18	Left
3 __ 46	Center
3 __ 18	Right

### LEFT

3DR18	Door	+ 0
3DW18	Drawers	+ 938
3OW18	Open over Drawer	+ 746
3OR18	Open over Door	+ 638
3TT18	Trash thru Top	+806
3TP18	Trash Pull-Out	+1,402
3AV18	AV Case	+447

### CENTER

3DR46	Doors	+0
3DW46	Drawers	+1,541
3OW46	Open over Drawers	+1,190
3OR46	Open over Doors	+358
3AV46	AV Case	+62

### RIGHT

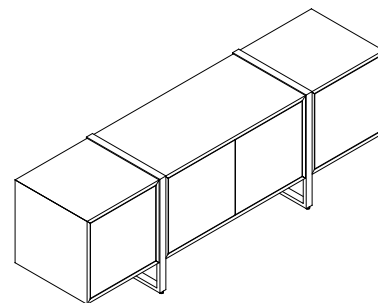
3DR18	Door	+ 0
3DW18	Drawers	+ 938
3OW18	Open over Drawer	+ 746
3OR18	Open over Door	+ 638
3TT18	Trash thru Top	+806
3TP18	Trash Pull-Out	+1,402
3AV18	AV Case	+447

Please consult [page 7](#) for the palette of DatesWeiser finishes. Natural stone, non-standard glass and veneer, and other technology options are available. Please email [customerservice@datesweiser.com](mailto:customerservice@datesweiser.com) for a custom quote. Consult technical information on [page 289](#) for construction details and technical information.

# 3H Highline Credenza

99" Long

02C3H99



Starting Price: **\$16,191**

99" 3 High credenza, all doors, satin lacquer, powder coat legs

Pattern Number: 02C3H99

## Step 1. Top Material

NT	No Top
FG	Full Glass
SG	3 Section
CG	Center Section only

## Step 2. Top Finish

		SECTION TOP	CENTER TOP	FULL TOP
GC00	Clear Glass	N/A	N/A	+1,511
GC __	Clear Glass back painted	+1,941	+1,040	N/A
GE __	Etched Glass back painted	+2,661	+1,360	N/A
CS01	Corian Glacier white	+3,529	+1,887	N/A
QS __	Caesarstone	+7,056	+3,773	N/A

## Step 3. Case Finish

SL __	Satin Lacquer	+0
T1	Veneer Tier 1	+3,304
T2	Veneer Tier 2	+6,865
HG __	High Gloss Polyester	+12,963

## Step 4. Leg Finish

MC __	Powder Coat	+0
PM01	Polished Chrome	+377
PM02	Satin Nickel	+377
PM03	Oil Rubbed Bronze	+704

## Step 5. Door/Drawer Face Finish

SL __	Satin Lacquer	+0
T1 __	Veneer Tier 1	+1,101
T2 __	Veneer Tier 2	+2,289
HG __	High Gloss Polyester	+4,321

## Step 6. Configuration (3 positions – Left/Center/Right)

Specify Left to Right: Select case configurations for 3 available positions

3 __ 24	Left
3 __ 46	Center
3 __ 24	Right

### LEFT

3DR24	Door	+0
3DW24	Drawers	+1,235
3OW24	Open over Drawer	+673
3OR24	Open over Door	+644
3TT24	Trash thru Top	+792
3TP24	Trash Pull-Out	+1,385
3AV24	AV Case	+435

### CENTER

3DR46	Doors	+0
3DW46	Drawers	+1,541
3OW46	Open over Drawers	+1,190
3OR46	Open over Doors	+358
3AV46	AV Case	+62

### RIGHT

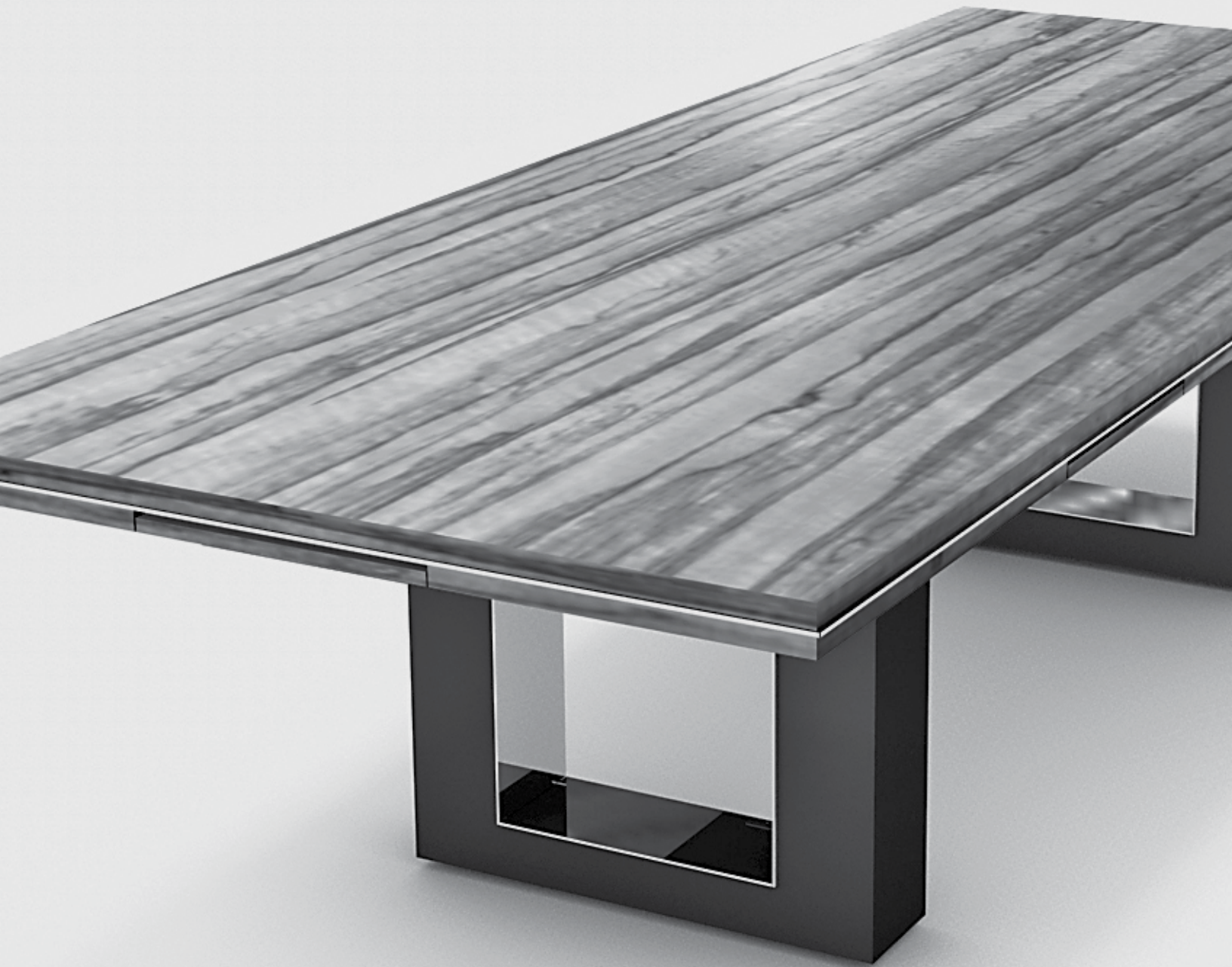
3DR24	Door	+0
3DW24	Drawers	+1,235
3OW24	Open over Drawer	+673
3OR24	Open over Door	+644
3TT24	Trash thru Top	+792
3TP24	Trash Pull-Out	+1,385
3AV24	AV Case	+435

Please consult [page 7](#) for the palette of DatesWeiser finishes. Natural stone, non-standard glass and veneer, and other technology options are available. Please email [customerservice@datesweiser.com](mailto:customerservice@datesweiser.com) for a custom quote. Consult technical information on [page 289](#) for construction details and technical information.





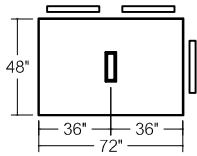
# Highline Fifty Collection



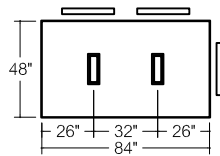
**DATESWEISER**

# Highline Fifty Conference Tables Index

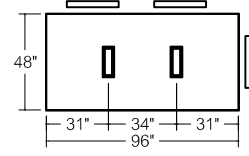
48" width



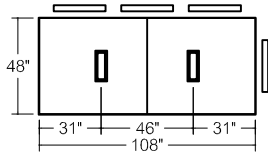
03R48X72  
6 Person Table



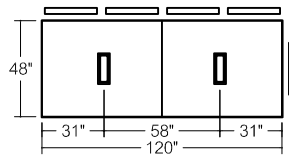
03R48X84  
6 Person Table



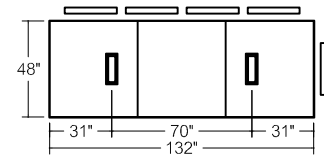
03R48X96  
6 Person Table



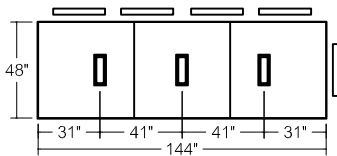
03R48X108  
8 Person Table



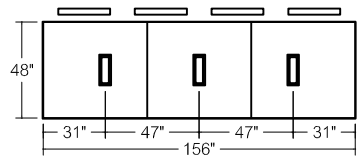
03R48X120  
10 Person Table



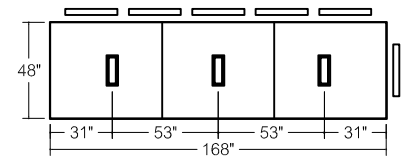
03R48X132  
10 Person Table



03R48X144  
10 Person Table

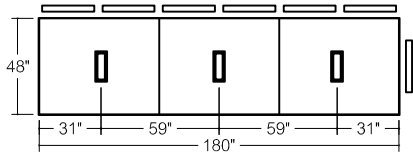


03R48X156  
10 Person Table

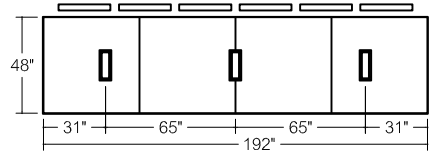


03R48X168  
12 Person Table

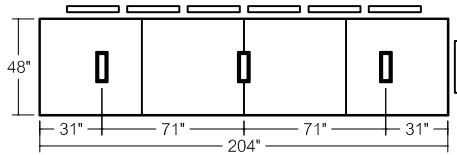




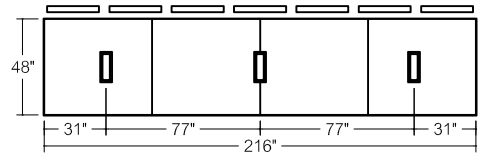
03R48X180  
14 Person Table



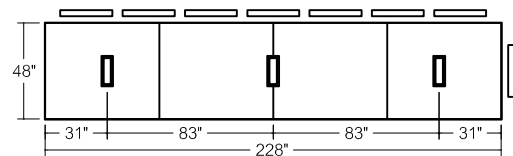
03R48X192  
14 Person Table



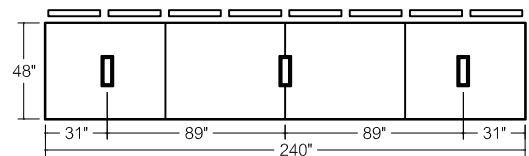
03R48X204  
14 Person Table



03R48X216  
16 Person Table



03R48X228  
16 Person Table

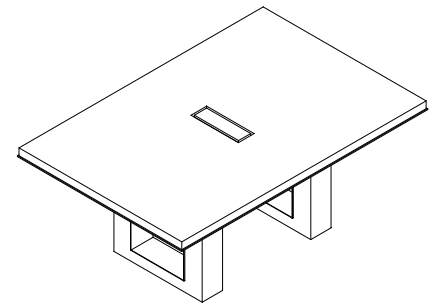


03R48X240  
18 Person Table

# Highline Fifty Rectangular Conference Table

48"x72"/ 6 Person

03R48X72



Starting Price: **\$14,354**

48x72 table, slab veneer Tier 1 top, open painted base with no metal trim, powder coat finish

Base Pattern Number: 03R48X72

## Step 1. Top Material

S	Slab (veneer only)
V	Veneer layered
G	Glass layered
C	Corian layered
Q	Caesarstone layered

## Step 2. Base Options

ON	Open Base, no metal trim	+ 0
MC __	Open Base, MC metal trim	+3,287
PM01	Open Base, PM01 metal trim	+4,450
PM02	Open Base, PM02 metal trim	+4,450
PM03	Open Base, PM03 metal trim	+6,004

## Step 3. Edge Selection/Finish

N__	No Edge	+0
AU__	Spinneybeck Leather: Acqua	+\$1,896
MC__	Powder Coat	+0
PM01	Polished Chrome	+777
PM02	Satin Nickel	+777
PM03	Oil Rubbed Bronze	+777

## Step 4A. Top Finish

T1 __	Veneer Tier 1	+0
T2 __	Veneer Tier 2	+609
GC __	Clear Glass, back painted	+2,619
GE __	Etched matte Glass, back painted	+3,148
CS01	Corian Glacier White	+3,836
QS __	Caesarstone	+9,922

## Step 4B. Lower Layer Finish (Layer top only)

SL __	Satin Lacquer	+305
T ___	Veneer Tier 1, 2, 3	+486
HG __	High Gloss Polyester	+534

## Step 5. Base Finish

T1 __	Veneer Tier 1	+828
T2 __	Veneer Tier 2	+1,736
SL __	Satin Lacquer	+0
HG __	High Gloss Polyester	+3,790

## Step 6. Power & Connectivity Access: Optional

DRHW	Drawer, Hardwired (layered edge only), Qty 4	+7,528
DRPI	Drawer, Plug In (layered edge only), Qty 4	+6,444
DRLK	Drawer, Linkable (layered edge only), Qty 4	+6,444
TMHW	Tabletop Metal lid, Hardwired, Qty 1	+4,130
TMPI	Tabletop Metal lid, Plug In, Qty 1	+3,519
TMLK	Tabletop Metal lid, Linkable, Qty 1	+3,002
TWHW	Tabletop Wood lid, Hardwired (veneer tops only), Qty 1	+3,785
TWPI	Tabletop Wood lid, Plug In (veneer tops only), Qty 1	+3,173
TWLK	Tabletop Wood lid, Linkable (veneer tops only), Qty 1	+2,658
UMHW	Undermount, Hardwired, Qty 4	+4,496
UMPI	Undermount, Plug In, Qty 4	+3,268
UMLK	Undermount, Linkable, Qty 4	+3,268
SOHW	Slide Out Power Box, Hardwired, Qty 4	+7,832
SOPI	Slide Out Power Box, Plug In, Qty 4	+6,644
SOLK	Slide Out Power Box, Linkable, Qty 4	+6,644

## Step 7. Microphone and/or Grommet Accommodations: Optional

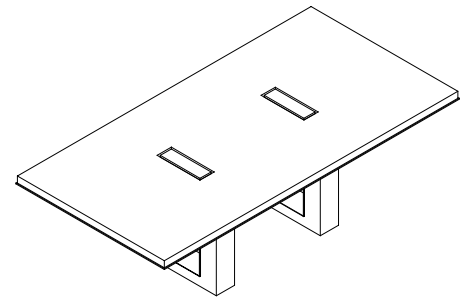
MA __	Microphone hole (factory cut)	Qty __ x 354 each
GM __	2" Grommet hole (factory cut), liner, lid, in matching metal finish	Qty __ x 466 each

Please consult [page 7](#) for the palette of DatesWeiser finishes. Natural stone, non-standard glass and veneer, and other technology options are available. Please email [customerservice@datesweiser.com](mailto:customerservice@datesweiser.com) for a custom quote. Consult technical information on [page 294](#) for construction details and technical information.

# Highline Fifty Rectangular Conference Table

48"x84" / 6 Person

03R48X84



Starting Price: **\$15,409**

48x84 table, slab veneer Tier 1 top, open painted base with no metal trim, powder coat finish

Base Pattern Number: 03R48X84

## Step 1. Top Material

S	Slab (veneer only)
V	Veneer layered
G	Glass layered
C	Corian layered
Q	Caesarstone layered

## Step 2. Base Options

ON	Open Base, no metal trim	+ 0
MC __	Open Base, MC metal trim	+3,287
PM01	Open Base, PM01 metal trim	+4,450
PM02	Open Base, PM02 metal trim	+4,450
PM03	Open Base, PM03 metal trim	+6,004

## Step 3. Edge Selection/Finish

N__	No Edge	+0
AU__	Spinneybeck Leather: Acqua	+\$2,086
MC__	Powder Coat	+0
PM01	Polished Chrome	+1,212
PM02	Satin Nickel	+1,212
PM03	Oil Rubbed Bronze	+1,212

## Step 4A. Top Finish

T1 __	Veneer Tier 1	+0
T2 __	Veneer Tier 2	+710
GC __	Clear Glass, back painted	+3,055
GE __	Etched matte Glass, back painted	+3,673
CS01	Corian Glacier White	+4,476
QS __	Caesarstone	+11,576

## Step 4B. Lower Layer Finish (Layer top only)

SL __	Satin Lacquer	+365
T ___	Veneer Tier 1, 2, 3	+553
HG __	High Gloss Polyester	+609

## Step 5. Base Finish

T1 __	Veneer Tier 1	+828
T2 __	Veneer Tier 2	+1,736
SL __	Satin Lacquer	+0
HG __	High Gloss Polyester	+3,790

## Step 6. Power & Connectivity Access: Optional

DRHW	Drawer, Hardwired (layered edge only), Qty 4	+7,528
DRPI	Drawer, Plug In (layered edge only), Qty 4	+6,444
DRLK	Drawer, Linkable (layered edge only), Qty 4	+6,444
TMHW	Tabletop Metal lid, Hardwired, Qty 2	+8,260
TMPI	Tabletop Metal lid, Plug In, Qty 2	+7,038
TMLK	Tabletop Metal lid, Linkable, Qty 2	+6,004
TWHW	Tabletop Wood lid, Hardwired (veneer tops only), Qty 2	+7,570
TWPI	Tabletop Wood lid, Plug In (veneer tops only), Qty 2	+6,346
TWLK	Tabletop Wood lid, Linkable (veneer tops only), Qty 2	+5,316
UMHW	Undermount, Hardwired, Qty 4	+4,496
UMPI	Undermount, Plug In, Qty 4	+3,268
UMLK	Undermount, Linkable, Qty 4	+3,268
SOHW	Slide Out Power Box, Hardwired, Qty 4	+7,832
SOPI	Slide Out Power Box, Plug In, Qty 4	+6,644
SOLK	Slide Out Power Box, Linkable, Qty 4	+6,644

## Step 7. Microphone and/or Grommet Accommodations: Optional

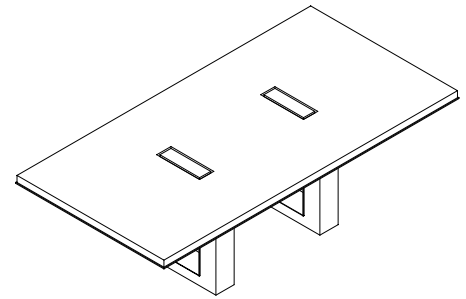
MA __	Microphone hole (factory cut)	Qty __ x 354 each
GM __	2" Grommet hole (factory cut), liner, lid, in matching metal finish	Qty __ x 466 each

Please consult [page 7](#) for the palette of DatesWeiser finishes. Natural stone, non-standard glass and veneer, and other technology options are available. Please email [customerservice@datesweiser.com](mailto:customerservice@datesweiser.com) for a custom quote. Consult technical information on [page 294](#) for construction details and technical information.

# Highline Fifty Rectangular Conference Table

48"x96" / 6 Person

03R48X96



Starting Price: **\$16,207**

48x96 table, slab veneer Tier 1 top, open painted base with no metal trim, powder coat finish

Base Pattern Number: 03R48X96

## Step 1. Top Material

S	Slab (veneer only)
V	Veneer layered
G	Glass layered
C	Corian layered
Q	Caesarstone layered

## Step 2. Base Options

ON	Open Base, no metal trim	+ 0
MC __	Open Base, MC metal trim	+3,287
PM01	Open Base, PM01 metal trim	+4,450
PM02	Open Base, PM02 metal trim	+4,450
PM03	Open Base, PM03 metal trim	+6,004

## Step 3. Edge Selection/Finish

N__	No Edge	+0
AU__	Spinneybeck Leather: Acqua	+\$2,275
MC__	Powder Coat	+0
PM01	Polished Chrome	+1,212
PM02	Satin Nickel	+1,212
PM03	Oil Rubbed Bronze	+1,212

## Step 4A. Top Finish

T1 __	Veneer Tier 1	+0
T2 __	Veneer Tier 2	+811
GC __	Clear Glass, back painted	+3,492
GE __	Etched matte Glass, back painted	+4,199
CS01	Corian Glacier White	+5,115
QS __	Caesarstone	+13,230

## Step 4B. Lower Layer Finish (Layer top only)

SL __	Satin Lacquer	+382
T___	Veneer Tier 1, 2, 3	+576
HG __	High Gloss Polyester	+636

## Step 5. Base Finish

T1 __	Veneer Tier 1	+828
T2 __	Veneer Tier 2	+1,736
SL __	Satin Lacquer	+0
HG __	High Gloss Polyester	+3,790

## Step 6. Power & Connectivity Access: Optional

DRHW	Drawer, Hardwired (layered edge only), Qty 4	+7,528
DRPI	Drawer, Plug In (layered edge only), Qty 4	+6,444
DRLK	Drawer, Linkable (layered edge only), Qty 4	+6,444
TMHW	Tabletop Metal lid, Hardwired, Qty 2	+8,260
TMPI	Tabletop Metal lid, Plug In, Qty 2	+7,038
TMLK	Tabletop Metal lid, Linkable, Qty 2	+6,004
TWHW	Tabletop Wood lid, Hardwired (veneer tops only), Qty 2	+7,570
TWPI	Tabletop Wood lid, Plug In (veneer tops only), Qty 2	+6,346
TWLK	Tabletop Wood lid, Linkable (veneer tops only), Qty 2	+5,316
UMHW	Undermount, Hardwired, Qty 4	+4,496
UMPI	Undermount, Plug In, Qty 4	+3,268
UMLK	Undermount, Linkable, Qty 4	+3,268
SOHW	Slide Out Power Box, Hardwired, Qty 4	+7,832
SOPI	Slide Out Power Box, Plug In, Qty 4	+6,644
SOLK	Slide Out Power Box, Linkable, Qty 4	+6,644

## Step 7. Microphone and/or Grommet Accommodations: Optional

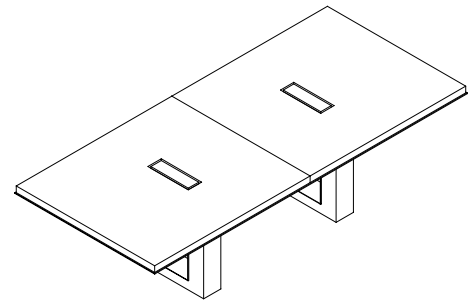
MA __	Microphone hole (factory cut)	Qty __ x 354 each
GM __	2" Grommet hole (factory cut), liner, lid, in matching metal finish	Qty __ x 466 each

Please consult [page 7](#) for the palette of DatesWeiser finishes. Natural stone, non-standard glass and veneer, and other technology options are available. Please email [customerservice@datesweiser.com](mailto:customerservice@datesweiser.com) for a custom quote. Consult technical information on [page 294](#) for construction details and technical information.

# Highline Fifty Rectangular Conference Table

48"x108"/ 8 Person

03R48X108



Starting Price: **\$17,617**

48x108 table, slab veneer Tier 1 top, open painted base with no metal trim, powder coat finish

Base Pattern Number: 03R48X108

## Step 1. Top Material

S	Slab (veneer only)
V	Veneer layered
G	Glass layered
C	Corian layered
Q	Caesarstone layered

## Step 2. Base Options

ON	Open Base, no metal trim	+ 0
MC __	Open Base, MC metal trim	+3,287
PM01	Open Base, PM01 metal trim	+4,450
PM02	Open Base, PM02 metal trim	+4,450
PM03	Open Base, PM03 metal trim	+6,004

## Step 3. Edge Selection/Finish

N__	No Edge	+0
AU__	Spinneybeck Leather: Acqua	+\$2,465
MC__	Powder Coat	+0
PM01	Polished Chrome	+1,212
PM02	Satin Nickel	+ 1,212
PM03	Oil Rubbed Bronze	+ 1,212

## Step 4A. Top Finish

T1 __	Veneer Tier 1	+0
T2 __	Veneer Tier 2	+912
GC __	Clear Glass, back painted	+3,929
GE __	Etched matte Glass, back painted	+4,723
CS01	Corian Glacier White	+5,755
QS __	Caesarstone	+14,884

## Step 4B. Lower Layer Finish (Layer top only)

SL __	Satin Lacquer	+419
T ___	Veneer Tier 1, 2, 3	+638
HG __	High Gloss Polyester	+702

## Step 5. Base Finish

T1 __	Veneer Tier 1	+828
T2 __	Veneer Tier 2	+1,736
SL __	Satin Lacquer	+0
HG __	High Gloss Polyester	+3,790

## Step 6. Power & Connectivity Access: Optional

DRHW	Drawer, Hardwired (layered edge only), Qty 4	+7,528
DRPI	Drawer, Plug In (layered edge only), Qty 4	+6,444
DRLK	Drawer, Linkable (layered edge only), Qty 4	+6,444
TMHW	Tabletop Metal lid, Hardwired, Qty 2	+8,260
TMPI	Tabletop Metal lid, Plug In, Qty 2	+7,038
TMLK	Tabletop Metal lid, Linkable, Qty 2	+6,004
TWHW	Tabletop Wood lid, Hardwired (veneer tops only), Qty 2	+7,570
TWPI	Tabletop Wood lid, Plug In (veneer tops only), Qty 2	+6,346
TWLK	Tabletop Wood lid, Linkable (veneer tops only), Qty 2	+5,316
UMHW	Undermount, Hardwired, Qty 4	+4,496
UMPI	Undermount, Plug In, Qty 4	+3,268
UMLK	Undermount, Linkable, Qty 4	+3,268
SOHW	Slide Out Power Box, Hardwired, Qty 4	+7,832
SOPI	Slide Out Power Box, Plug In, Qty 4	+6,644
SOLK	Slide Out Power Box, Linkable, Qty 4	+6,644

## Step 7. Microphone and/or Grommet Accommodations: Optional

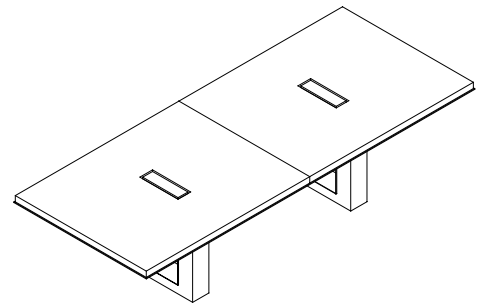
MA __	Microphone hole (factory cut)	Qty __ x 354 each
GM __	2" Grommet hole (factory cut), liner, lid, in matching metal finish	Qty __ x 466 each

Please consult [page 7](#) for the palette of DatesWeiser finishes. Natural stone, non-standard glass and veneer, and other technology options are available. Please email [customerservice@datesweiser.com](mailto:customerservice@datesweiser.com) for a custom quote. Consult technical information on [page 294](#) for construction details and technical information.

# Highline Fifty Rectangular Conference Table

48"x120"/ 10 Person

03R48X120



Starting Price: **\$18,612**

48x120 table, slab veneer Tier 1 top, open painted base with no metal trim, powder coat finish

Base Pattern Number: 03R48X120

## Step 1. Top Material

S	Slab (veneer only)	
V	Veneer layered	
G	Glass layered	
C	Corian layered	
Q	Caesarstone layered	

## Step 2. Base Options

ON	Open Base, no metal trim	+ 0
MC __	Open Base, MC metal trim	+3,287
PM01	Open Base, PM01 metal trim	+4,450
PM02	Open Base, PM02 metal trim	+4,450
PM03	Open Base, PM03 metal trim	+6,004

## Step 3. Edge Selection/Finish

N__	No Edge	+0
AU__	Spinneybeck Leather: Acqua	+\$2,654
MC__	Powder Coat	+0
PM01	Polished Chrome	+1,263
PM02	Satin Nickel	+1,263
PM03	Oil Rubbed Bronze	+1,263

## Step 4A. Top Finish

T1 __	Veneer Tier 1	+0
T2 __	Veneer Tier 2	+1,015
GC __	Clear Glass, back painted	+4,366
GE __	Etched matte Glass, back painted	+5,248
CS01	Corian Glacier White	+6,395
QS __	Caesarstone	+16,538

## Step 4B. Lower Layer Finish (Layer top only)

SL __	Satin Lacquer	+547
T ___	Veneer Tier 1, 2, 3	+729
HG __	High Gloss Polyester	+801

## Step 5. Base Finish

T1 __	Veneer Tier 1	+828
T2 __	Veneer Tier 2	+1,736
SL __	Satin Lacquer	+0
HG __	High Gloss Polyester	+3,790

## Step 6. Power & Connectivity Access: Optional

DRHW	Drawer, Hardwired (layered edge only), Qty 6	+11,292
DRPI	Drawer, Plug In (layered edge only), Qty 6	+9,666
DRLK	Drawer, Linkable (layered edge only), Qty 6	+9,666
TMHW	Tabletop Metal lid, Hardwired, Qty 2	+8,260
TMPI	Tabletop Metal lid, Plug In, Qty 2	+7,038
TMLK	Tabletop Metal lid, Linkable, Qty 2	+6,004
TWHW	Tabletop Wood lid, Hardwired (veneer tops only), Qty 2	+7,570
TWPI	Tabletop Wood lid, Plug In (veneer tops only), Qty 2	+6,346
TWLK	Tabletop Wood lid, Linkable (veneer tops only), Qty 2	+5,316
UMHW	Undermount, Hardwired, Qty 6	+6,744
UMPI	Undermount, Plug In, Qty 6	+4,902
UMLK	Undermount, Linkable, Qty 6	+4,902
SOHW	Slide Out Power Box, Hardwired, Qty 6	+11,748
SOPI	Slide Out Power Box, Plug In, Qty 6	+9,966
SOLK	Slide Out Power Box, Linkable, Qty 6	+9,966

## Step 7. Microphone and/or Grommet Accommodations: Optional

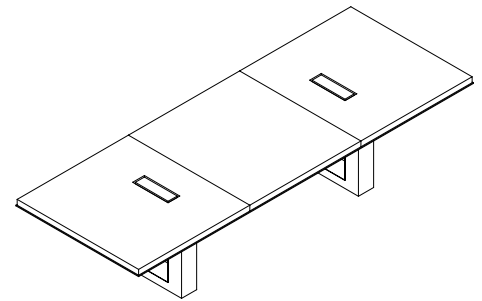
MA __	Microphone hole (factory cut)	Qty __ x 354 each
GM __	2" Grommet hole (factory cut), liner, lid, in matching metal finish	Qty __ x 466 each

Please consult [page 7](#) for the palette of DatesWeiser finishes. Natural stone, non-standard glass and veneer, and other technology options are available. Please email [customerservice@datesweiser.com](mailto:customerservice@datesweiser.com) for a custom quote. Consult technical information on [page 294](#) for construction details and technical information.

# Highline Fifty Rectangular Conference Table

48"x132"/ 10 Person

03R48X132



Starting Price: **\$23,255**

48x132 table, slab veneer Tier 1 top, open painted base with no metal trim, powder coat finish

Base Pattern Number: 03R48X132

## Step 1. Top Material

S	Slab (veneer only)
V	Veneer layered
G	Glass layered
C	Corian layered
Q	Caesarstone layered

## Step 2. Base Options

ON	Open Base, no metal trim	+ 0
MC __	Open Base, MC metal trim	+3,287
PM01	Open Base, PM01 metal trim	+4,450
PM02	Open Base, PM02 metal trim	+4,450
PM03	Open Base, PM03 metal trim	+6,004

## Step 3. Edge Selection/Finish

N__	No Edge	+0
AU__	Spinneybeck Leather: Acqua	+\$2,844
MC__	Powder Coat	+0
PM01	Polished Chrome	+1,264
PM02	Satin Nickel	+1,264
PM03	Oil Rubbed Bronze	+1,264

## Step 4A. Top Finish

T1 __	Veneer Tier 1	+0
T2 __	Veneer Tier 2	+1,116
GC __	Clear Glass, back painted	+4,802
GE __	Etched matte Glass, back painted	+5,772
CS01	Corian Glacier White	+7,034
QS __	Caesarstone	+18,192

## Step 4B. Lower Layer Finish (Layer top only)

SL __	Satin Lacquer	+553
T ___	Veneer Tier 1, 2, 3	+778
HG __	High Gloss Polyester	+856

## Step 5. Base Finish

T1 __	Veneer Tier 1	+828
T2 __	Veneer Tier 2	+1,736
SL __	Satin Lacquer	+0
HG __	High Gloss Polyester	+3,790

## Step 6. Power & Connectivity Access: Optional

DRHW	Drawer, Hardwired (layered edge only), Qty 6	+11,292
DRPI	Drawer, Plug In (layered edge only), Qty 6	+9,666
DRLK	Drawer, Linkable (layered edge only), Qty 6	+9,666
TMHW	Tabletop Metal lid, Hardwired, Qty 2	+8,260
TMPI	Tabletop Metal lid, Plug In, Qty 2	+7,038
TMLK	Tabletop Metal lid, Linkable, Qty 2	+6,004
TWHW	Tabletop Wood lid, Hardwired (veneer tops only), Qty 2	+7,570
TWPI	Tabletop Wood lid, Plug In (veneer tops only), Qty 2	+6,346
TWLK	Tabletop Wood lid, Linkable (veneer tops only), Qty 2	+5,316
UMHW	Undermount, Hardwired, Qty 6	+6,744
UMPI	Undermount, Plug In, Qty 6	+4,902
UMLK	Undermount, Linkable, Qty 6	+4,902
SOHW	Slide Out Power Box, Hardwired, Qty 6	+11,748
SOPI	Slide Out Power Box, Plug In, Qty 6	+9,966
SOLK	Slide Out Power Box, Linkable, Qty 6	+9,966

## Step 7. Microphone and/or Grommet Accommodations: Optional

MA __	Microphone hole (factory cut)	Qty __ x 354 each
GM __	2" Grommet hole (factory cut), liner, lid, in matching metal finish	Qty __ x 466 each

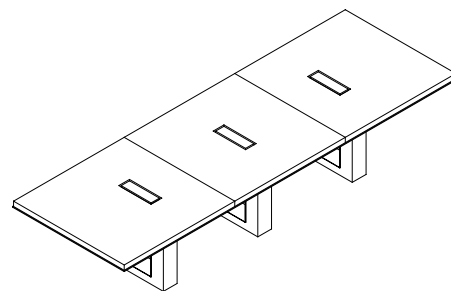
Please consult [page 7](#) for the palette of DatesWeiser finishes. Natural stone, non-standard glass and veneer, and other technology options are available. Please email [customerservice@datesweiser.com](mailto:customerservice@datesweiser.com) for a custom quote. Consult technical information on [page 294](#) for construction details and technical information.



# Highline Fifty Rectangular Conference Table

48"x144"/ 10 Person

03R48X144



Starting Price: **\$24,415**

48x144 table, slab veneer Tier 1 top, open painted base with no metal trim, powder coat finish

Base Pattern Number: 03R48X144

## Step 1. Top Material

S	Slab (veneer only)
V	Veneer layered
G	Glass layered
C	Corian layered
Q	Caesarstone layered

## Step 2. Base Options

ON	Open Base, no metal trim	+ 0
MC __	Open Base, MC metal trim	+4,930
PM01	Open Base, PM01 metal trim	+6,675
PM02	Open Base, PM02 metal trim	+6,675
PM03	Open Base, PM03 metal trim	+9,006

## Step 3. Edge Selection/Finish

N__	No Edge	+0
AU__	Spinneybeck Leather: Acqua	+\$2,890
MC__	Powder Coat	+0
PM01	Polished Chrome	+1,263
PM02	Satin Nickel	+1,263
PM03	Oil Rubbed Bronze	+1,263

## Step 4A. Top Finish

T1 __	Veneer Tier 1	+0
T2 __	Veneer Tier 2	+1,217
GC __	Clear Glass, back painted	+5,239
GE __	Etched matte Glass, back painted	+6,298
CS01	Corian Glacier White	+7,673
QS __	Caesarstone	+19,845

## Step 4B. Lower Layer Finish (Layer top only)

SL __	Satin Lacquer	+566
T ___	Veneer Tier 1, 2, 3	+827
HG __	High Gloss Polyester	+908

## Step 5. Base Finish

T1 __	Veneer Tier 1	+1,242
T2 __	Veneer Tier 2	+2,604
SL __	Satin Lacquer	+0
HG __	High Gloss Polyester	+5,685

## Step 6. Power & Connectivity Access: Optional

DRHW	Drawer, Hardwired (layered edge only), Qty 6	+11,292
DRPI	Drawer, Plug In (layered edge only), Qty 6	+9,666
DRLK	Drawer, Linkable (layered edge only), Qty 6	+9,666
TMHW	Tabletop Metal lid, Hardwired, Qty 3	+12,390
TMPI	Tabletop Metal lid, Plug In, Qty 3	+10,557
TMLK	Tabletop Metal lid, Linkable, Qty 3	+9,006
TWHW	Tabletop Wood lid, Hardwired (veneer tops only), Qty 3	+11,355
TWPI	Tabletop Wood lid, Plug In (veneer tops only), Qty 3	+9,519
TWLK	Tabletop Wood lid, Linkable (veneer tops only), Qty 3	+7,974
UMHW	Undermount, Hardwired, Qty 6	+6,744
UMPI	Undermount, Plug In, Qty 6	+4,902
UMLK	Undermount, Linkable, Qty 6	+4,902
SOHW	Slide Out Power Box, Hardwired, Qty 6	+11,748
SOPI	Slide Out Power Box, Plug In, Qty 6	+9,966
SOLK	Slide Out Power Box, Linkable, Qty 6	+9,966

## Step 7. Microphone and/or Grommet Accommodations: Optional

MA __	Microphone hole (factory cut)	Qty __ x 354 each
GM __	2" Grommet hole (factory cut), liner, lid, in matching metal finish	Qty __ x 466 each

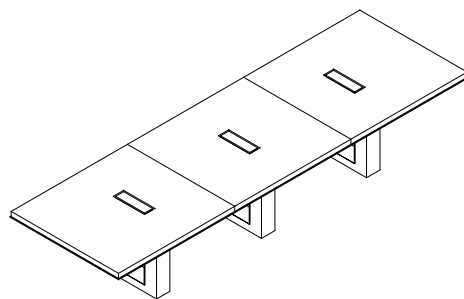
Please consult [page 7](#) for the palette of DatesWeiser finishes. Natural stone, non-standard glass and veneer, and other technology options are available. Please email [customerservice@datesweiser.com](mailto:customerservice@datesweiser.com) for a custom quote. Consult technical information on [page 294](#) for construction details and technical information.



# Highline Fifty Rectangular Conference Table

48"x156"/ 10 Person

03R48X156



Starting Price: **\$25,174**

48x156 table, slab veneer Tier 1 top, open painted base with no metal trim, powder coat finish

Base Pattern Number: 03R48X156

## Step 1. Top Material

S	Slab (veneer only)
V	Veneer layered
G	Glass layered
C	Corian layered
Q	Caesarstone layered

## Step 2. Base Options

ON	Open Base, no metal trim	+ 0
MC __	Open Base, MC metal trim	+4,930
PM01	Open Base, PM01 metal trim	+6,675
PM02	Open Base, PM02 metal trim	+6,675
PM03	Open Base, PM03 metal trim	+9,006

## Step 3. Edge Selection/Finish

N__	No Edge	+0
AU__	Spinneybeck Leather: Acqua	+\$3,224
MC__	Powder Coat	+0
PM01	Polished Chrome	+1,263
PM02	Satin Nickel	+1,263
PM03	Oil Rubbed Bronze	+1,263

## Step 4A. Top Finish

T1 __	Veneer Tier 1	+0
T2 __	Veneer Tier 2	+1,318
GC __	Clear Glass, back painted	+5,675
GE __	Etched matte Glass, back painted	+6,822
CS01	Corian Glacier White	+8,313
QS __	Caesarstone	+21,499

## Step 4B. Lower Layer Finish (Layer top only)

SL __	Satin Lacquer	+583
T ___	Veneer Tier 1, 2, 3	+833
HG __	High Gloss Polyester	+917

## Step 5. Base Finish

T1 __	Veneer Tier 1	+1,242
T2 __	Veneer Tier 2	+2,604
SL __	Satin Lacquer	+0
HG __	High Gloss Polyester	+5,685

## Step 6. Power & Connectivity Access: Optional

DRHW	Drawer, Hardwired (layered edge only), Qty 6	+11,292
DRPI	Drawer, Plug In (layered edge only), Qty 6	+9,666
DRLK	Drawer, Linkable (layered edge only), Qty 6	+9,666
TMHW	Tabletop Metal lid, Hardwired, Qty 3	+12,390
TMPI	Tabletop Metal lid, Plug In, Qty 3	+10,557
TMLK	Tabletop Metal lid, Linkable, Qty 3	+9,006
TWHW	Tabletop Wood lid, Hardwired (veneer tops only), Qty 3	+11,355
TWPI	Tabletop Wood lid, Plug In (veneer tops only), Qty 3	+9,519
TWLK	Tabletop Wood lid, Linkable (veneer tops only), Qty 3	+7,974
UMHW	Undermount, Hardwired, Qty 6	+6,744
UMPI	Undermount, Plug In, Qty 6	+4,902
UMLK	Undermount, Linkable, Qty 6	+4,902
SOHW	Slide Out Power Box, Hardwired, Qty 6	+11,748
SOPI	Slide Out Power Box, Plug In, Qty 6	+9,966
SOLK	Slide Out Power Box, Linkable, Qty 6	+9,966

## Step 7. Microphone and/or Grommet Accommodations: Optional

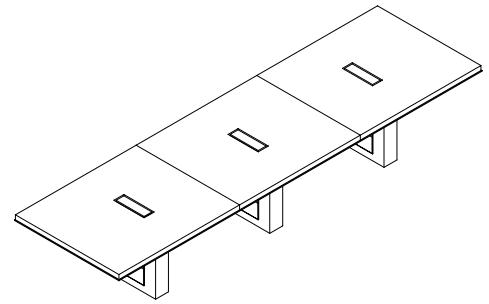
MA __	Microphone hole (factory cut)	Qty __ x 354 each
GM __	2" Grommet hole (factory cut), liner, lid, in matching metal finish	Qty __ x 466 each

Please consult [page 7](#) for the palette of DatesWeiser finishes. Natural stone, non-standard glass and veneer, and other technology options are available. Please email [customerservice@datesweiser.com](mailto:customerservice@datesweiser.com) for a custom quote. Consult technical information on [page 294](#) for construction details and technical information.

# Highline Fifty Rectangular Conference Table

48"x168"/ 12 Person

03R48X168



**Starting Price: \$26,525**

48x168 table, slab veneer Tier 1 top, open painted base with no metal trim, powder coat finish

Base Pattern Number: 03R48X168

## Step 1. Top Material

S	Slab (veneer only)
V	Veneer layered
G	Glass layered
C	Corian layered
Q	Caesarstone layered

## Step 2. Base Options

ON	Open Base, no metal trim	+ 0
MC __	Open Base, MC metal trim	+4,930
PM01	Open Base, PM01 metal trim	+6,675
PM02	Open Base, PM02 metal trim	+6,675
PM03	Open Base, PM03 metal trim	+9,006

## Step 3. Edge Selection/Finish

N__	No Edge	+0
AU__	Spinneybeck Leather: Acqua	+\$3,414
MC__	Powder Coat	+0
PM01	Polished Chrome	+2,079
PM02	Satin Nickel	+2,079
PM03	Oil Rubbed Bronze	+2,079

## Step 4A. Top Finish

T1 __	Veneer Tier 1	+0
T2 __	Veneer Tier 2	+1,420
GC __	Clear Glass, back painted	+6,112
GE __	Etched matte Glass, back painted	+7,347
CS01	Corian Glacier White	+8,952
QS __	Caesarstone	+23,153

## Step 4B. Lower Layer Finish (Layer top only)

SL __	Satin Lacquer	+638
T ___	Veneer Tier 1, 2, 3	+918
HG __	High Gloss Polyester	+1,010

## Step 5. Base Finish

T1 __	Veneer Tier 1	+1,242
T2 __	Veneer Tier 2	+2,604
SL __	Satin Lacquer	+0
HG __	High Gloss Polyester	+5,685

## Step 6. Power & Connectivity Access: Optional

DRHW	Drawer, Hardwired (layered edge only), Qty 6	+11,292
DRPI	Drawer, Plug In (layered edge only), Qty 6	+9,666
DRLK	Drawer, Linkable (layered edge only), Qty 6	+9,666
TMHW	Tabletop Metal lid, Hardwired, Qty 3	+12,390
TMPI	Tabletop Metal lid, Plug In, Qty 3	+10,557
TMLK	Tabletop Metal lid, Linkable, Qty 3	+9,006
TWHW	Tabletop Wood lid, Hardwired (veneer tops only), Qty 3	+11,355
TWPI	Tabletop Wood lid, Plug In (veneer tops only), Qty 3	+9,519
TWLK	Tabletop Wood lid, Linkable (veneer tops only), Qty 3	+7,974
UMHW	Undermount, Hardwired, Qty 6	+6,744
UMPI	Undermount, Plug In, Qty 6	+4,902
UMLK	Undermount, Linkable, Qty 6	+4,902
SOHW	Slide Out Power Box, Hardwired, Qty 6	+11,748
SOPI	Slide Out Power Box, Plug In, Qty 6	+9,966
SOLK	Slide Out Power Box, Linkable, Qty 6	+9,966

## Step 7. Microphone and/or Grommet Accommodations: Optional

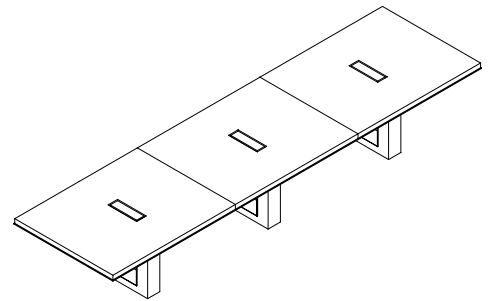
MA __	Microphone hole (factory cut)	Qty __ x 354 each
GM __	2" Grommet hole (factory cut), liner, lid, in matching metal finish	Qty __ x 466 each

Please consult [page 7](#) for the palette of DatesWeiser finishes. Natural stone, non-standard glass and veneer, and other technology options are available. Please email [customerservice@datesweiser.com](mailto:customerservice@datesweiser.com) for a custom quote. Consult technical information on [page 294](#) for construction details and technical information.

# Highline Fifty Rectangular Conference Table

48"x180"/ 14 Person

03R48X180



Starting Price: **\$27,357**

48x180 table, slab veneer Tier 1 top, open painted base with no metal trim, powder coat finish

Base Pattern Number: 03R48X180

## Step 1. Top Material

S	Slab (veneer only)	
V	Veneer layered	
G	Glass layered	
C	Corian layered	
Q	Caesarstone layered	

## Step 2. Base Options

ON	Open Base, no metal trim	+ 0
MC __	Open Base, MC metal trim	+4,930
PM01	Open Base, PM01 metal trim	+6,675
PM02	Open Base, PM02 metal trim	+6,675
PM03	Open Base, PM03 metal trim	+9,006

## Step 3. Edge Selection/Finish

N__	No Edge	+0
AU__	Spinneybeck Leather: Acqua	+\$3,603
MC__	Powder Coat	+0
PM01	Polished Chrome	+2,079
PM02	Satin Nickel	+2,079
PM03	Oil Rubbed Bronze	+2,079

## Step 4A. Top Finish

T1 __	Veneer Tier 1	+0
T2 __	Veneer Tier 2	+1,223
GC __	Clear Glass, back painted	+6,549
GE __	Etched matte Glass, back painted	+7,872
CS01	Corian Glacier White	+9,591
QS __	Caesarstone	+24,806

## Step 4B. Lower Layer Finish (Layer top only)

SL __	Satin Lacquer	+675
T ___	Veneer Tier 1, 2, 3	+1,014
HG __	High Gloss Polyester	+1,116

## Step 5. Base Finish

T1 __	Veneer Tier 1	+1,242
T2 __	Veneer Tier 2	+2,604
SL __	Satin Lacquer	+0
HG __	High Gloss Polyester	+5,685

## Step 6. Power & Connectivity Access: Optional

DRHW	Drawer, Hardwired (layered edge only), Qty 8	+15,056
DRPI	Drawer, Plug In (layered edge only), Qty 8	+12,888
DRLK	Drawer, Linkable (layered edge only), Qty 8	+12,888
TMHW	Tabletop Metal lid, Hardwired, Qty 3	+12,390
TMPI	Tabletop Metal lid, Plug In, Qty 3	+10,557
TMLK	Tabletop Metal lid, Linkable, Qty 3	+9,006
TWHW	Tabletop Wood lid, Hardwired (veneer tops only), Qty 3	+11,355
TWPI	Tabletop Wood lid, Plug In (veneer tops only), Qty 3	+9,519
TWLK	Tabletop Wood lid, Linkable (veneer tops only), Qty 3	+7,974
UMHW	Undermount, Hardwired, Qty 8	+8,992
UMPI	Undermount, Plug In, Qty 8	+6,536
UMLK	Undermount, Linkable, Qty 8	+6,536
SOHW	Slide Out Power Box, Hardwired, Qty 8	+15,664
SOPI	Slide Out Power Box, Plug In, Qty 8	+13,288
SOLK	Slide Out Power Box, Linkable, Qty 8	+13,288

## Step 7. Microphone and/or Grommet Accommodations: Optional

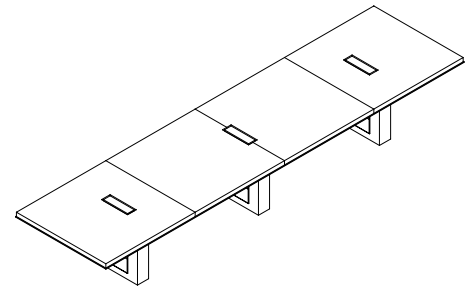
MA __	Microphone hole (factory cut)	Qty __ x 354 each
GM __	2" Grommet hole (factory cut), liner, lid, in matching metal finish	Qty __ x 466 each

Please consult [page 7](#) for the palette of DatesWeiser finishes. Natural stone, non-standard glass and veneer, and other technology options are available. Please email [customerservice@datesweiser.com](mailto:customerservice@datesweiser.com) for a custom quote. Consult technical information on [page 294](#) for construction details and technical information.

# Highline Fifty Rectangular Conference Table

48"x192"/ 14 Person

03R48X192



Starting Price: **\$31,621**

48x192 table, slab veneer Tier 1 top, open painted base with no metal trim, powder coat finish

Base Pattern Number: 03R48X192

## Step 1. Top Material

S	Slab (veneer only)	
V	Veneer layered	
G	Glass layered	
C	Corian layered	
Q	Caesarstone layered	

## Step 2. Base Options

ON	Open Base, no metal trim	+ 0
MC __	Open Base, MC metal trim	+4,930
PM01	Open Base, PM01 metal trim	+6,675
PM02	Open Base, PM02 metal trim	+6,675
PM03	Open Base, PM03 metal trim	+9,006

## Step 3. Edge Selection/Finish

N__	No Edge	+0
AU__	Spinneybeck Leather: Acqua	+\$3,793
MC__	Powder Coat	+0
PM01	Polished Chrome	+2,079
PM02	Satin Nickel	+2,079
PM03	Oil Rubbed Bronze	+2,079

## Step 4A. Top Finish

T1 __	Veneer Tier 1	+0
T2 __	Veneer Tier 2	+1,623
GC __	Clear Glass, back painted	+6,985
GE __	Etched matte Glass, back painted	+8,397
CS01	Corian Glacier White	+10,231
QS __	Caesarstone	+26,460

## Step 4B. Lower Layer Finish (Layer top only)

SL __	Satin Lacquer	+734
T ___	Veneer Tier 1, 2, 3	+1,038
HG __	High Gloss Polyester	+1,143

## Step 5. Base Finish

T1 __	Veneer Tier 1	+1,242
T2 __	Veneer Tier 2	+2,604
SL __	Satin Lacquer	+0
HG __	High Gloss Polyester	+5,685

## Step 6. Power & Connectivity Access: Optional

DRHW	Drawer, Hardwired (layered edge only), Qty 8	+15,056
DRPI	Drawer, Plug In (layered edge only), Qty 8	+12,888
DRLK	Drawer, Linkable (layered edge only), Qty 8	+12,888
TMHW	Tabletop Metal lid, Hardwired, Qty 3	+12,390
TMPI	Tabletop Metal lid, Plug In, Qty 3	+10,557
TMLK	Tabletop Metal lid, Linkable, Qty 3	+9,006
TWHW	Tabletop Wood lid, Hardwired (veneer tops only), Qty 3	+11,355
TWPI	Tabletop Wood lid, Plug In (veneer tops only), Qty 3	+9,519
TWLK	Tabletop Wood lid, Linkable (veneer tops only), Qty 3	+7,974
UMHW	Undermount, Hardwired, Qty 8	+8,992
UMPI	Undermount, Plug In, Qty 8	+6,536
UMLK	Undermount, Linkable, Qty 8	+6,536
SOHW	Slide Out Power Box, Hardwired, Qty 8	+15,664
SOPI	Slide Out Power Box, Plug In, Qty 8	+13,288
SOLK	Slide Out Power Box, Linkable, Qty 8	+13,288

## Step 7. Microphone and/or Grommet Accommodations: Optional

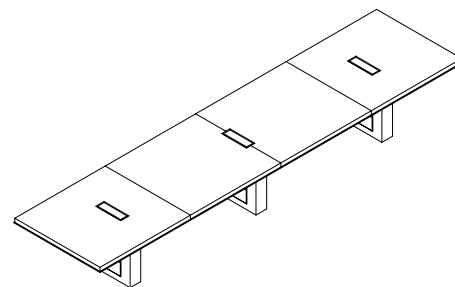
MA __	Microphone hole (factory cut)	Qty __ x 354 each
GM __	2" Grommet hole (factory cut), liner, lid, in matching metal finish	Qty __ x 466 each

Please consult [page 7](#) for the palette of DatesWeiser finishes. Natural stone, non-standard glass and veneer, and other technology options are available. Please email [customerservice@datesweiser.com](mailto:customerservice@datesweiser.com) for a custom quote. Consult technical information on [page 294](#) for construction details and technical information.

# Highline Fifty Rectangular Conference Table

48"x204"/ 14 Person

03R48X204



Starting Price: **\$32,484**

48x204 table, slab veneer Tier 1 top, open painted base with no metal trim, powder coat finish

Base Pattern Number: 03R48X204

## Step 1. Top Material

S	Slab (veneer only)	
V	Veneer layered	
G	Glass layered	
C	Corian layered	
Q	Caesarstone layered	

## Step 2. Base Options

ON	Open Base, no metal trim	+ 0
MC __	Open Base, MC metal trim	+4,930
PM01	Open Base, PM01 metal trim	+6,675
PM02	Open Base, PM02 metal trim	+6,675
PM03	Open Base, PM03 metal trim	+9,006

## Step 3. Edge Selection/Finish

N__	No Edge	+0
AU__	Spinneybeck Leather: Acqua	+\$3,983
MC__	Powder Coat	+0
PM01	Polished Chrome	+2,079
PM02	Satin Nickel	+2,079
PM03	Oil Rubbed Bronze	+2,079

## Step 4A. Top Finish

T1 __	Veneer Tier 1	+0
T2 __	Veneer Tier 2	+1,724
GC __	Clear Glass, back painted	+7,422
GE __	Etched matte Glass, back painted	+8,922
CS01	Corian Glacier White	+10,871
QS __	Caesarstone	+28,114

## Step 4B. Lower Layer Finish (Layer top only)

SL __	Satin Lacquer	+771
T ___	Veneer Tier 1, 2, 3	+1,094
HG __	High Gloss Polyester	+1,203

## Step 5. Base Finish

T1 __	Veneer Tier 1	+1,242
T2 __	Veneer Tier 2	+2,604
SL __	Satin Lacquer	+0
HG __	High Gloss Polyester	+5,685

## Step 6. Power & Connectivity Access: Optional

DRHW	Drawer, Hardwired (layered edge only), Qty 8	+15,056
DRPI	Drawer, Plug In (layered edge only), Qty 8	+12,888
DRLK	Drawer, Linkable (layered edge only), Qty 8	+12,888
TMHW	Tabletop Metal lid, Hardwired, Qty 3	+12,390
TMPI	Tabletop Metal lid, Plug In, Qty 3	+10,557
TMLK	Tabletop Metal lid, Linkable, Qty 3	+9,006
TWHW	Tabletop Wood lid, Hardwired (veneer tops only), Qty 3	+11,355
TWPI	Tabletop Wood lid, Plug In (veneer tops only), Qty 3	+9,519
TWLK	Tabletop Wood lid, Linkable (veneer tops only), Qty 3	+7,974
UMHW	Undermount, Hardwired, Qty 8	+8,992
UMPI	Undermount, Plug In, Qty 8	+6,536
UMLK	Undermount, Linkable, Qty 8	+6,536
SOHW	Slide Out Power Box, Hardwired, Qty 8	+15,664
SOPI	Slide Out Power Box, Plug In, Qty 8	+13,288
SOLK	Slide Out Power Box, Linkable, Qty 8	+13,288

## Step 7. Microphone and/or Grommet Accommodations: Optional

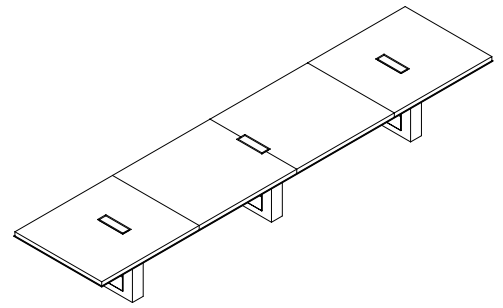
MA __	Microphone hole (factory cut)	Qty __ x 354 each
GM __	2" Grommet hole (factory cut), liner, lid, in matching metal finish	Qty __ x 466 each

Please consult [page 7](#) for the palette of DatesWeiser finishes. Natural stone, non-standard glass and veneer, and other technology options are available. Please email [customerservice@datesweiser.com](mailto:customerservice@datesweiser.com) for a custom quote. Consult technical information on [page 294](#) for construction details and technical information.

# Highline Fifty Rectangular Conference Table

48"x216"/ 16 Person

03R48X216



Starting Price: **\$33,339**

48x216 table, slab veneer Tier 1 top, open painted base with no metal trim, powder coat finish

Base Pattern Number: 03R48X216

## Step 1. Top Material

S	Slab (veneer only)	
V	Veneer layered	
G	Glass layered	
C	Corian layered	
Q	Caesarstone layered	

## Step 2. Base Options

ON	Open Base, no metal trim	+ 0
MC __	Open Base, MC metal trim	+4,930
PM01	Open Base, PM01 metal trim	+6,675
PM02	Open Base, PM02 metal trim	+6,675
PM03	Open Base, PM03 metal trim	+9,006

## Step 3. Edge Selection/Finish

N__	No Edge	+0
AU__	Spinneybeck Leather: Acqua	+\$4,172
MC__	Powder Coat	+0
PM01	Polished Chrome	+2,079
PM02	Satin Nickel	+2,079
PM03	Oil Rubbed Bronze	+2,079

## Step 4A. Top Finish

T1 __	Veneer Tier 1	+0
T2 __	Veneer Tier 2	+1,826
GC __	Clear Glass, back painted	+7,858
GE __	Etched matte Glass, back painted	+9,445
CS01	Corian Glacier White	+11,510
QS __	Caesarstone	+29,767

## Step 4B. Lower Layer Finish (Layer top only)

SL __	Satin Lacquer	+809
T ___	Veneer Tier 1, 2, 3	+1,155
HG __	High Gloss Polyester	+1,271

## Step 5. Base Finish

T1 __	Veneer Tier 1	+1,242
T2 __	Veneer Tier 2	+2,604
SL __	Satin Lacquer	+0
HG __	High Gloss Polyester	+5,685

## Step 6. Power & Connectivity Access: Optional

DRHW	Drawer, Hardwired (layered edge only), Qty 8	+15,056
DRPI	Drawer, Plug In (layered edge only), Qty 8	+12,888
DRLK	Drawer, Linkable (layered edge only), Qty 8	+12,888
TMHW	Tabletop Metal lid, Hardwired, Qty 3	+12,390
TMPI	Tabletop Metal lid, Plug In, Qty 3	+10,557
TMLK	Tabletop Metal lid, Linkable, Qty 3	+9,006
TWHW	Tabletop Wood lid, Hardwired (veneer tops only), Qty 3	+11,355
TWPI	Tabletop Wood lid, Plug In (veneer tops only), Qty 3	+9,519
TWLK	Tabletop Wood lid, Linkable (veneer tops only), Qty 3	+7,974
UMHW	Undermount, Hardwired, Qty 8	+8,992
UMPI	Undermount, Plug In, Qty 8	+6,536
UMLK	Undermount, Linkable, Qty 8	+6,536
SOHW	Slide Out Power Box, Hardwired, Qty 8	+15,664
SOPI	Slide Out Power Box, Plug In, Qty 8	+13,288
SOLK	Slide Out Power Box, Linkable, Qty 8	+13,288

## Step 7. Microphone and/or Grommet Accommodations: Optional

MA __	Microphone hole (factory cut)	Qty __ x 354 each
GM __	2" Grommet hole (factory cut), liner, lid, in matching metal finish	Qty __ x 466 each

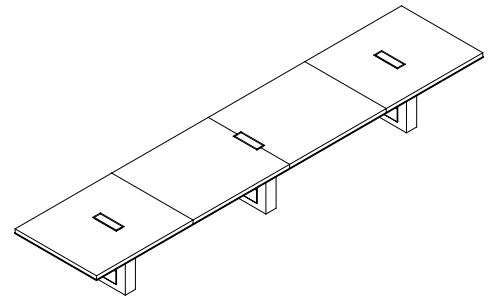
Please consult [page 7](#) for the palette of DatesWeiser finishes. Natural stone, non-standard glass and veneer, and other technology options are available. Please email [customerservice@datesweiser.com](mailto:customerservice@datesweiser.com) for a custom quote. Consult technical information on [page 294](#) for construction details and technical information.



# Highline Fifty Rectangular Conference Table

48"x228"/ 16 Person

03R48X228



Starting Price: **\$34,224**

48x228 table, slab veneer Tier 1 top, open painted base with no metal trim, powder coat finish

Base Pattern Number: 03R48X228

## Step 1. Top Material

S	Slab (veneer only)
V	Veneer layered
G	Glass layered
C	Corian layered
Q	Caesarstone layered

## Step 2. Base Options

ON	Open Base, no metal trim	+ 0
MC __	Open Base, MC metal trim	+4,930
PM01	Open Base, PM01 metal trim	+6,675
PM02	Open Base, PM02 metal trim	+6,675
PM03	Open Base, PM03 metal trim	+9,006

## Step 3. Edge Selection/Finish

N__	No Edge	+0
AU__	Spinneybeck Leather: Acqua	+\$4,362
MC__	Powder Coat	+0
PM01	Polished Chrome	+2,079
PM02	Satin Nickel	+2,079
PM03	Oil Rubbed Bronze	+2,079

## Step 4A. Top Finish

T1 __	Veneer Tier 1	+0
T2 __	Veneer Tier 2	+1,928
GC __	Clear Glass, back painted	+8,295
GE __	Etched matte Glass, back painted	+9,971
CS01	Corian Glacier White	+12,149
QS __	Caesarstone	+31,421

## Step 4B. Lower Layer Finish (Layer top only)

SL __	Satin Lacquer	+820
T ___	Veneer Tier 1, 2, 3	+1,215
HG __	High Gloss Polyester	+1,337

## Step 5. Base Finish

T1 __	Veneer Tier 1	+1,242
T2 __	Veneer Tier 2	+2,604
SL __	Satin Lacquer	+0
HG __	High Gloss Polyester	+5,685

## Step 6. Power & Connectivity Access: Optional

DRHW	Drawer, Hardwired (layered edge only), Qty 8	+15,056
DRPI	Drawer, Plug In (layered edge only), Qty 8	+12,888
DRLK	Drawer, Linkable (layered edge only), Qty 8	+12,888
TMHW	Tabletop Metal lid, Hardwired, Qty 3	+12,390
TMPI	Tabletop Metal lid, Plug In, Qty 3	+10,557
TMLK	Tabletop Metal lid, Linkable, Qty 3	+9,006
TWHW	Tabletop Wood lid, Hardwired (veneer tops only), Qty 3	+11,355
TWPI	Tabletop Wood lid, Plug In (veneer tops only), Qty 3	+9,519
TWLK	Tabletop Wood lid, Linkable (veneer tops only), Qty 3	+7,974
UMHW	Undermount, Hardwired, Qty 8	+8,992
UMPI	Undermount, Plug In, Qty 8	+6,536
UMLK	Undermount, Linkable, Qty 8	+6,536
SOHW	Slide Out Power Box, Hardwired, Qty 8	+15,664
SOPI	Slide Out Power Box, Plug In, Qty 8	+13,288
SOLK	Slide Out Power Box, Linkable, Qty 8	+13,288

## Step 7. Microphone and/or Grommet Accommodations: Optional

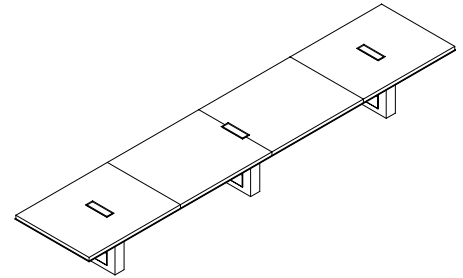
MA __	Microphone hole (factory cut)	Qty __ x 354 each
GM __	2" Grommet hole (factory cut), liner, lid, in matching metal finish	Qty __ x 466 each

Please consult [page 7](#) for the palette of DatesWeiser finishes. Natural stone, non-standard glass and veneer, and other technology options are available. Please email [customerservice@datesweiser.com](mailto:customerservice@datesweiser.com) for a custom quote. Consult technical information on [page 294](#) for construction details and technical information.

# Highline Fifty Rectangular Conference Table

48"x240"/ 18 Person

03R48X240



Starting Price: **\$35,065**

48x240 table, slab veneer Tier 1 top, open painted base with no metal trim, powder coat finish

Base Pattern Number: 03R48X240

## Step 1. Top Material

S	Slab (veneer only)
V	Veneer layered
G	Glass layered
C	Corian layered
Q	Caesarstone layered

## Step 2. Base Options

ON	Open Base, no metal trim	+ 0
MC __	Open Base, MC metal trim	+4,930
PM01	Open Base, PM01 metal trim	+6,675
PM02	Open Base, PM02 metal trim	+6,675
PM03	Open Base, PM03 metal trim	+9,006

## Step 3. Edge Selection/Finish

N__	No Edge	+0
AU__	Spinneybeck Leather: Acqua	+\$4,551
MC__	Powder Coat	+0
PM01	Polished Chrome	+2,079
PM02	Satin Nickel	+ 2,079
PM03	Oil Rubbed Bronze	+ 2,079

## Step 4A. Top Finish

T1 __	Veneer Tier 1	+0
T2 __	Veneer Tier 2	+2,028
GC __	Clear Glass, back painted	+8,732
GE __	Etched matte Glass, back painted	+10,496
CS01	Corian Glacier White	+12,789
QS __	Caesarstone	+33,075

## Step 4B. Lower Layer Finish (Layer top only)

SL __	Satin Lacquer	+863
T ___	Veneer Tier 1, 2, 3	+1,306
HG __	High Gloss Polyester	+1,437

## Step 5. Base Finish

T1 __	Veneer Tier 1	+1,242
T2 __	Veneer Tier 2	+2,604
SL __	Satin Lacquer	+0
HG __	High Gloss Polyester	+5,685

## Step 6. Power & Connectivity Access: Optional

DRHW	Drawer, Hardwired (layered edge only), Qty 10	+18,820
DRPI	Drawer, Plug In (layered edge only), Qty 10	+16,110
DRLK	Drawer, Linkable (layered edge only), Qty 10	+16,110
TMHW	Tabletop Metal lid, Hardwired, Qty 3	+12,390
TMPI	Tabletop Metal lid, Plug In, Qty 3	+10,557
TMLK	Tabletop Metal lid, Linkable, Qty 3	+9,006
TWHW	Tabletop Wood lid, Hardwired (veneer tops only), Qty 3	+11,355
TWPI	Tabletop Wood lid, Plug In (veneer tops only), Qty 3	+9,519
TWLK	Tabletop Wood lid, Linkable (veneer tops only), Qty 3	+7,974
UMHW	Undermount, Hardwired, Qty 10	+11,240
UMPI	Undermount, Plug In, Qty 10	+8,170
UMLK	Undermount, Linkable, Qty 10	+8,170
SOHW	Slide Out Power Box, Hardwired, Qty 10	+19,580
SOPI	Slide Out Power Box, Plug In, Qty 10	+16,610
SOLK	Slide Out Power Box, Linkable, Qty 10	+16,610

## Step 7. Microphone and/or Grommet Accommodations: Optional

MA __	Microphone hole (factory cut)	Qty __ x 354 each
GM __	2" Grommet hole (factory cut), liner, lid, in matching metal finish	Qty __ x 466 each

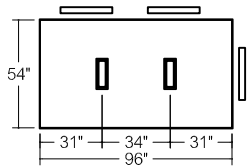
Please consult [page 7](#) for the palette of DatesWeiser finishes. Natural stone, non-standard glass and veneer, and other technology options are available. Please email [customerservice@datesweiser.com](mailto:customerservice@datesweiser.com) for a custom quote. Consult technical information on [page 294](#) for construction details and technical information.



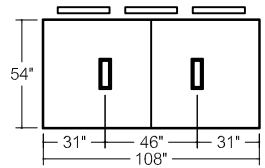


# Highline Fifty Conference Tables Index

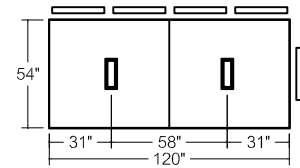
54" width



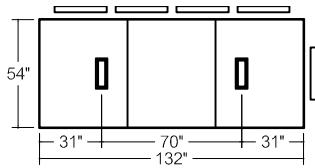
03R54X96  
6 Person Table



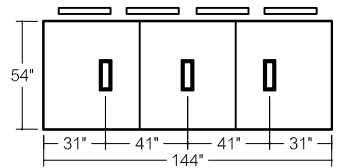
03R54X108  
8 Person Table



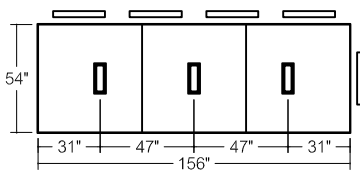
03R54X120  
10 Person Table



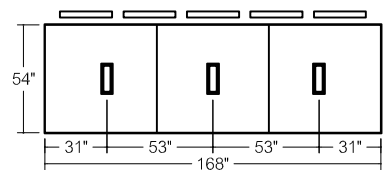
03R54X132  
10 Person Table



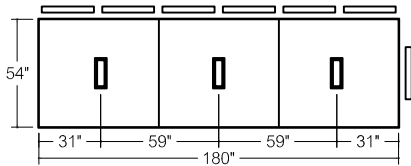
03R54X144  
10 Person Table



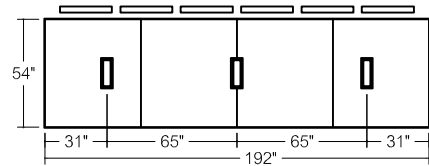
03R54X156  
10 Person Table



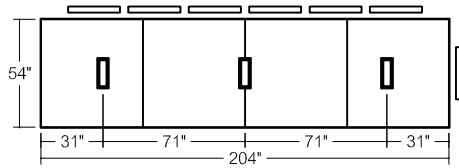
03R54X168  
12 Person Table



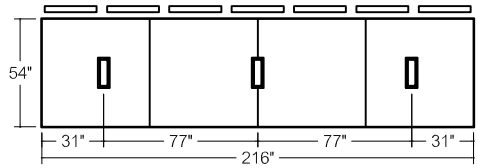
03R54X180  
14 Person Table



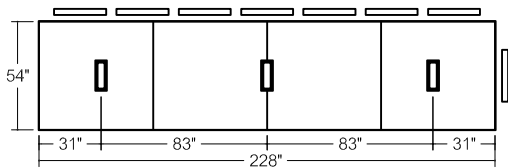
03R54X192  
14 Person Table



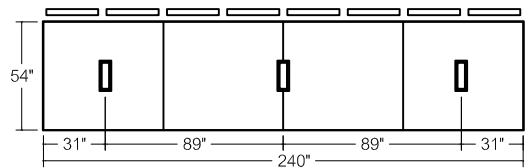
03R54X204  
14 Person Table



03R54X216  
16 Person Table



03R54X228  
16 Person Table

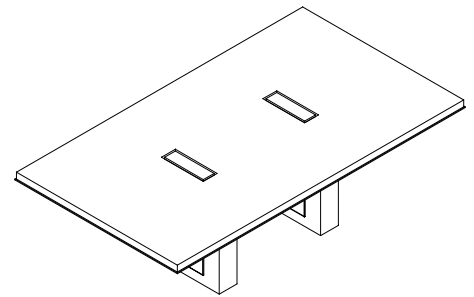


03R54X240  
18 Person Table

# Highline Fifty Rectangular Conference Table

54"x96" / 6 Person

03R54X96



Starting Price: **\$18,279**

54x96 table, slab veneer Tier 1 top, open painted base with no metal trim, powder coat finish

Pattern Number: 03R54X96

## Step 1. Top Material

S	Slab (veneer only)
V	Veneer layered
G	Glass layered
C	Corian layered
Q	Caesarstone layered

## Step 2. Base Options

ON	Open Base, no metal trim	+ 0
MC __	Open Base, MC metal trim	+3,287
PM01	Open Base, PM01 metal trim	+4,450
PM02	Open Base, PM02 metal trim	+4,450
PM03	Open Base, PM03 metal trim	+6,004

## Step 3. Edge Selection/Finish

N__	No Edge	+0
AU__	Spinneybeck Leather: Acqua	+\$2,371
MC__	Powder Coat	+0
PM01	Polished Chrome	+1,239
PM02	Satin Nickel	+1,239
PM03	Oil Rubbed Bronze	+1,239

## Step 4A. Top Finish

T1 __	Veneer Tier 1	+0
T2 __	Veneer Tier 2	+913
GC __	Clear Glass, back painted	+3,930
GE __	Etched matte Glass, back painted	+4,723
CS01	Corian Glacier White	+5,756
QS __	Caesarstone	+14,884

## Step 4B. Lower Layer Finish (Layer top only)

SL __	Satin Lacquer	+431
T ___	Veneer Tier 1, 2, 3	+648
HG __	High Gloss Polyester	+714

## Step 5. Base Finish

T1 __	Veneer Tier 1	+828
T2 __	Veneer Tier 2	+1,736
SL __	Satin Lacquer	+0
HG __	High Gloss Polyester	+3,790

## Step 6. Power & Connectivity Access: Optional

DRHW	Drawer, Hardwired (layered edge only), Qty 4	+7,528
DRPI	Drawer, Plug In (layered edge only), Qty 4	+6,444
DRLK	Drawer, Linkable (layered edge only), Qty 4	+6,444
TMHW	Tabletop Metal lid, Hardwired, Qty 2	+8,260
TMPI	Tabletop Metal lid, Plug In, Qty 2	+7,038
TMLK	Tabletop Metal lid, Linkable, Qty 2	+6,004
TWHW	Tabletop Wood lid, Hardwired (veneer tops only), Qty 2	+7,570
TWPI	Tabletop Wood lid, Plug In (veneer tops only), Qty 2	+6,346
TWLK	Tabletop Wood lid, Linkable (veneer tops only), Qty 2	+5,316
UMHW	Undermount, Hardwired, Qty 4	+4,496
UMPI	Undermount, Plug In, Qty 4	+3,268
UMLK	Undermount, Linkable, Qty 4	+3,268
SOHW	Slide Out Power Box, Hardwired, Qty 4	+7,832
SOPI	Slide Out Power Box, Plug In, Qty 4	+6,644
SOLK	Slide Out Power Box, Linkable, Qty 4	+6,644

## Step 7. Microphone and/or Grommet Accommodations: Optional

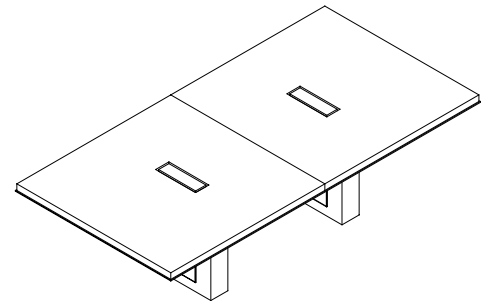
MA __	Microphone hole (factory cut)	Qty __ x 354 each
GM __	2" Grommet hole (factory cut), liner, lid, in matching metal finish	Qty __ x 466 each

Please consult [page 7](#) for the palette of DatesWeiser finishes. Natural stone, non-standard glass and veneer, and other technology options are available. Please email [customerservice@datesweiser.com](mailto:customerservice@datesweiser.com) for a custom quote. Consult technical information on [page 294](#) for construction details and technical information.

# Highline Fifty Rectangular Conference Table

54"x108"/ 8 Person

03R54X108



Starting Price: **\$19,868**

54x108 table, slab veneer Tier 1 top, open painted base with no metal trim, powder coat finish

Pattern Number: 03R54X108

## Step 1. Top Material

S	Slab (veneer only)
V	Veneer layered
G	Glass layered
C	Corian layered
Q	Caesarstone layered

## Step 2. Base Options

ON	Open Base, no metal trim	+ 0
MC __	Open Base, MC metal trim	+3,287
PM01	Open Base, PM01 metal trim	+4,450
PM02	Open Base, PM02 metal trim	+4,450
PM03	Open Base, PM03 metal trim	+6,004

## Step 3. Edge Selection/Finish

N__	No Edge	+0
AU__	Spinneybeck Leather: Acqua	+\$2,560
MC__	Powder Coat	+0
PM01	Polished Chrome	+1,239
PM02	Satin Nickel	+1,239
PM03	Oil Rubbed Bronze	+1,239

## Step 4A. Top Finish

T1 __	Veneer Tier 1	+0
T2 __	Veneer Tier 2	+1,028
GC __	Clear Glass, back painted	+4,422
GE __	Etched matte Glass, back painted	+5,314
CS01	Corian Glacier White	+6,475
QS __	Caesarstone	+16,744

## Step 4B. Lower Layer Finish (Layer top only)

SL __	Satin Lacquer	+470
T ___	Veneer Tier 1, 2, 3	+718
HG __	High Gloss Polyester	+791

## Step 5. Base Finish

T1 __	Veneer Tier 1	+828
T2 __	Veneer Tier 2	+1,736
SL __	Satin Lacquer	+0
HG __	High Gloss Polyester	+3,790

## Step 6. Power & Connectivity Access: Optional

DRHW	Drawer, Hardwired (layered edge only), Qty 4	+7,528
DRPI	Drawer, Plug In (layered edge only), Qty 4	+6,444
DRLK	Drawer, Linkable (layered edge only), Qty 4	+6,444
TMHW	Tabletop Metal lid, Hardwired, Qty 2	+8,260
TMPI	Tabletop Metal lid, Plug In, Qty 2	+7,038
TMLK	Tabletop Metal lid, Linkable, Qty 2	+6,004
TWHW	Tabletop Wood lid, Hardwired (vener tops only), Qty 2	+7,570
TWPI	Tabletop Wood lid, Plug In (vener tops only), Qty 2	+6,346
TWLK	Tabletop Wood lid, Linkable (vener tops only), Qty 2	+5,316
UMHW	Undermount, Hardwired, Qty 4	+4,496
UMPI	Undermount, Plug In, Qty 4	+3,268
UMLK	Undermount, Linkable, Qty 4	+3,268
SOHW	Slide Out Power Box, Hardwired, Qty 4	+7,832
SOPI	Slide Out Power Box, Plug In, Qty 4	+6,644
SOLK	Slide Out Power Box, Linkable, Qty 4	+6,644

## Step 7. Microphone and/or Grommet Accommodations: Optional

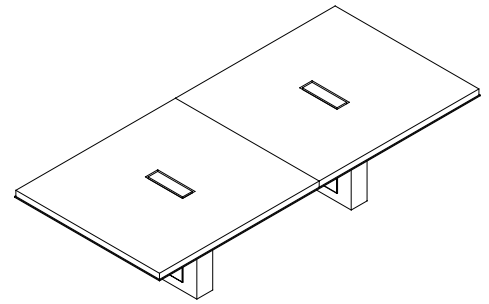
MA __	Microphone hole (factory cut)	Qty __ x 354 each
GM __	2" Grommet hole (factory cut), liner, lid, in matching metal finish	Qty __ x 466 each

Please consult [page 7](#) for the palette of DatesWeiser finishes. Natural stone, non-standard glass and veneer, and other technology options are available. Please email [customerservice@datesweiser.com](mailto:customerservice@datesweiser.com) for a custom quote. Consult technical information on [page 294](#) for construction details and technical information.

# Highline Fifty Rectangular Conference Table

54"x120"/ 10 Person

03R54X120



Starting Price: **\$20,915**

54x120 table, slab veneer Tier 1 top, open painted base with no metal trim, powder coat finish

Pattern Number: 03R54X120

## Step 1. Top Material

S	Slab (veneer only)
V	Veneer layered
G	Glass layered
C	Corian layered
Q	Caesarstone layered

## Step 2. Base Options

ON	Open Base, no metal trim	+ 0
MC __	Open Base, MC metal trim	+3,287
PM01	Open Base, PM01 metal trim	+4,450
PM02	Open Base, PM02 metal trim	+4,450
PM03	Open Base, PM03 metal trim	+6,004

## Step 3. Edge Selection/Finish

N__	No Edge	+0
AU__	Spinneybeck Leather: Acqua	+\$2,750
MC__	Powder Coat	+0
PM01	Polished Chrome	+1,239
PM02	Satin Nickel	+1,239
PM03	Oil Rubbed Bronze	+1,239

## Step 4A. Top Finish

T1 __	Veneer Tier 1	+0
T2 __	Veneer Tier 2	+1,140
GC __	Clear Glass, back painted	+4,911
GE __	Etched matte Glass, back painted	+5,903
CS01	Corian Glacier White	+7,194
QS __	Caesarstone	+18,604

## Step 4B. Lower Layer Finish (Layer top only)

SL __	Satin Lacquer	+614
T ___	Veneer Tier 1, 2, 3	+820
HG __	High Gloss Polyester	+903

## Step 5. Base Finish

T1 __	Veneer Tier 1	+828
T2 __	Veneer Tier 2	+1,736
SL __	Satin Lacquer	+0
HG __	High Gloss Polyester	+3,790

## Step 6. Power & Connectivity Access: Optional

DRHW	Drawer, Hardwired (layered edge only), Qty 6	+11,292
DRPI	Drawer, Plug In (layered edge only), Qty 6	+9,666
DRLK	Drawer, Linkable (layered edge only), Qty 6	+9,666
TMHW	Tabletop Metal lid, Hardwired, Qty 2	+8,260
TMPI	Tabletop Metal lid, Plug In, Qty 2	+7,038
TMLK	Tabletop Metal lid, Linkable, Qty 2	+6,004
TWHW	Tabletop Wood lid, Hardwired (veneer tops only), Qty 2	+7,570
TWPI	Tabletop Wood lid, Plug In (veneer tops only), Qty 2	+6,346
TWLK	Tabletop Wood lid, Linkable (veneer tops only), Qty 2	+5,316
UMHW	Undermount, Hardwired, Qty 6	+6,744
UMPI	Undermount, Plug In, Qty 6	+4,902
UMLK	Undermount, Linkable, Qty 6	+4,902
SOHW	Slide Out Power Box, Hardwired, Qty 6	+11,748
SOPI	Slide Out Power Box, Plug In, Qty 6	+9,966
SOLK	Slide Out Power Box, Linkable, Qty 6	+9,966

## Step 7. Microphone and/or Grommet Accommodations: Optional

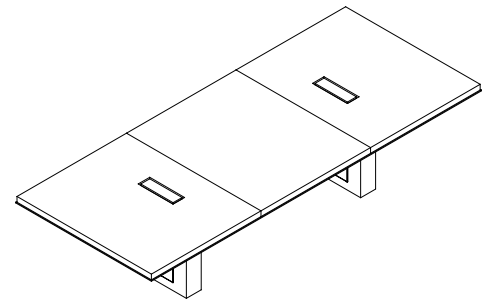
MA __	Microphone hole (factory cut)	Qty __ x 354 each
GM __	2" Grommet hole (factory cut), liner, lid, in matching metal finish	Qty __ x 466 each

Please consult [page 7](#) for the palette of DatesWeiser finishes. Natural stone, non-standard glass and veneer, and other technology options are available. Please email [customerservice@datesweiser.com](mailto:customerservice@datesweiser.com) for a custom quote. Consult technical information on [page 294](#) for construction details and technical information.

# Highline Fifty Rectangular Conference Table

54"x132"/ 10 Person

03R54X132



Starting Price: **\$26,212**

54x132 table, slab veneer Tier 1 top, open painted base with no metal trim, powder coat finish

Pattern Number: 03R54X132

## Step 1. Top Material

S	Slab (veneer only)
V	Veneer layered
G	Glass layered
C	Corian layered
Q	Caesarstone layered

## Step 2. Base Options

ON	Open Base, no metal trim	+ 0
MC __	Open Base, MC metal trim	+3,287
PM01	Open Base, PM01 metal trim	+4,450
PM02	Open Base, PM02 metal trim	+4,450
PM03	Open Base, PM03 metal trim	+6,004

## Step 3. Edge Selection/Finish

N__	No Edge	+0
AU__	Spinneybeck Leather: Acqua	+\$2,939
MC__	Powder Coat	+0
PM01	Polished Chrome	+1,412
PM02	Satin Nickel	+1,412
PM03	Oil Rubbed Bronze	+1,412

## Step 4A. Top Finish

T1 __	Veneer Tier 1	+0
T2 __	Veneer Tier 2	+1,256
GC __	Clear Glass, back painted	+5,402
GE __	Etched matte Glass, back painted	+6,493
CS01	Corian Glacier White	+7,913
QS __	Caesarstone	+20,465

## Step 4B. Lower Layer Finish (Layer top only)

SL __	Satin Lacquer	+622
T ___	Veneer Tier 1, 2, 3	+875
HG __	High Gloss Polyester	+962

## Step 5. Base Finish

T1 __	Veneer Tier 1	+828
T2 __	Veneer Tier 2	+1,736
SL __	Satin Lacquer	+0
HG __	High Gloss Polyester	+3,790

## Step 6. Power & Connectivity Access: Optional

DRHW	Drawer, Hardwired (layered edge only), Qty 6	+11,292
DRPI	Drawer, Plug In (layered edge only), Qty 6	+9,666
DRLK	Drawer, Linkable (layered edge only), Qty 6	+9,666
TMHW	Tabletop Metal lid, Hardwired, Qty 2	+8,260
TMPI	Tabletop Metal lid, Plug In, Qty 2	+7,038
TMLK	Tabletop Metal lid, Linkable, Qty 2	+6,004
TWHW	Tabletop Wood lid, Hardwired (veneer tops only), Qty 2	+7,570
TWPI	Tabletop Wood lid, Plug In (veneer tops only), Qty 2	+6,346
TWLK	Tabletop Wood lid, Linkable (veneer tops only), Qty 2	+5,316
UMHW	Undermount, Hardwired, Qty 6	+6,744
UMPI	Undermount, Plug In, Qty 6	+4,902
UMLK	Undermount, Linkable, Qty 6	+4,902
SOHW	Slide Out Power Box, Hardwired, Qty 6	+11,748
SOPI	Slide Out Power Box, Plug In, Qty 6	+9,966
SOLK	Slide Out Power Box, Linkable, Qty 6	+9,966

## Step 7. Microphone and/or Grommet Accommodations: Optional

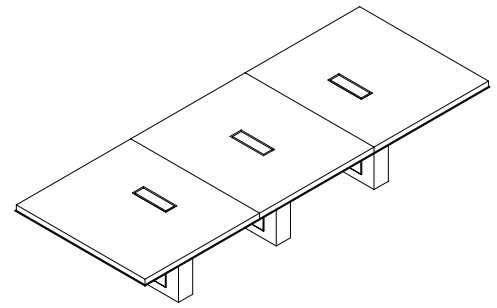
MA __	Microphone hole (factory cut)	Qty __ x 354 each
GM __	2" Grommet hole (factory cut), liner, lid, in matching metal finish	Qty __ x 466 each

Please consult [page 7](#) for the palette of DatesWeiser finishes. Natural stone, non-standard glass and veneer, and other technology options are available. Please email [customerservice@datesweiser.com](mailto:customerservice@datesweiser.com) for a custom quote. Consult technical information on [page 294](#) for construction details and technical information.

# Highline Fifty Rectangular Conference Table

54"x144"/ 10 Person

03R54X144



Starting Price: **\$27,517**

54x144 table, slab veneer Tier 1 top, open painted base with no metal trim, powder coat finish

Pattern Number: 03R54X144

## Step 1. Top Material

S	Slab (veneer only)
V	Veneer layered
G	Glass layered
C	Corian layered
Q	Caesarstone layered

## Step 2. Base Options

ON	Open Base, no metal trim	+ 0
MC __	Open Base, MC metal trim	+4,930
PM01	Open Base, PM01 metal trim	+6,675
PM02	Open Base, PM02 metal trim	+6,675
PM03	Open Base, PM03 metal trim	+9,006

## Step 3. Edge Selection/Finish

N__	No Edge	+0
AU__	Spinneybeck Leather: Acqua	+\$3,129
MC__	Powder Coat	+0
PM01	Polished Chrome	+1,412
PM02	Satin Nickel	+1,412
PM03	Oil Rubbed Bronze	+1,412

## Step 4A. Top Finish

T1 __	Veneer Tier 1	+0
T2 __	Veneer Tier 2	+1,370
GC __	Clear Glass, back painted	+5,894
GE __	Etched matte Glass, back painted	+5,894
CS01	Corian Glacier White	+8,632
QS __	Caesarstone	+22,325

## Step 4B. Lower Layer Finish (Layer top only)

SL __	Satin Lacquer	+636
T ___	Veneer Tier 1, 2, 3	+930
HG __	High Gloss Polyester	+1,023

## Step 5. Base Finish

T1 __	Veneer Tier 1	+1,242
T2 __	Veneer Tier 2	+2,604
SL __	Satin Lacquer	+0
HG __	High Gloss Polyester	+5,685

## Step 6. Power & Connectivity Access: Optional

DRHW	Drawer, Hardwired (layered edge only), Qty 6	+11,292
DRPI	Drawer, Plug In (layered edge only), Qty 6	+9,666
DRLK	Drawer, Linkable (layered edge only), Qty 6	+9,666
TMHW	Tabletop Metal lid, Hardwired, Qty 3	+12,390
TMPI	Tabletop Metal lid, Plug In, Qty 3	+10,557
TMLK	Tabletop Metal lid, Linkable, Qty 3	+9,006
TWHW	Tabletop Wood lid, Hardwired (veneer tops only), Qty 3	+11,355
TWPI	Tabletop Wood lid, Plug In (veneer tops only), Qty 3	+9,519
TWLK	Tabletop Wood lid, Linkable (veneer tops only), Qty 3	+7,974
UMHW	Undermount, Hardwired, Qty 6	+6,744
UMPI	Undermount, Plug In, Qty 6	+4,902
UMLK	Undermount, Linkable, Qty 6	+4,902
SOHW	Slide Out Power Box, Hardwired, Qty 6	+11,748
SOPI	Slide Out Power Box, Plug In, Qty 6	+9,966
SOLK	Slide Out Power Box, Linkable, Qty 6	+9,966

## Step 7. Microphone and/or Grommet Accommodations: Optional

MA __	Microphone hole (factory cut)	Qty __ x 354 each
GM __	2" Grommet hole (factory cut), liner, lid, in matching metal finish	Qty __ x 466 each

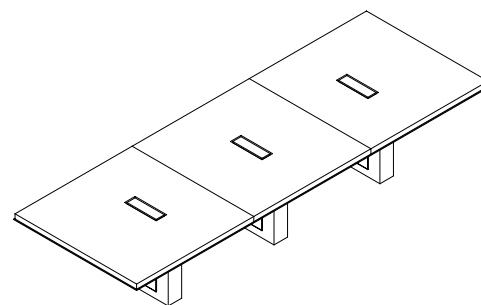
Please consult [page 7](#) for the palette of DatesWeiser finishes. Natural stone, non-standard glass and veneer, and other technology options are available. Please email [customerservice@datesweiser.com](mailto:customerservice@datesweiser.com) for a custom quote. Consult technical information on [page 294](#) for construction details and technical information.



# Highline Fifty Rectangular Conference Table

54"x156"/ 10 Person

03R54X156



Starting Price: **\$28,387**

54x156 table, slab veneer Tier 1 top, open painted base with no metal trim, powder coat finish

Pattern Number: 03R54X156

## Step 1. Top Material

S	Slab (veneer only)
V	Veneer layered
G	Glass layered
C	Corian layered
Q	Caesarstone layered

## Step 2. Base Options

ON	Open Base, no metal trim	+ 0
MC __	Open Base, MC metal trim	+4,930
PM01	Open Base, PM01 metal trim	+6,675
PM02	Open Base, PM02 metal trim	+6,675
PM03	Open Base, PM03 metal trim	+9,006

## Step 3. Edge Selection/Finish

N__	No Edge	+0
AU__	Spinneybeck Leather: Acqua	+\$3,319
MC__	Powder Coat	+0
PM01	Polished Chrome	+1,412
PM02	Satin Nickel	+1,412
PM03	Oil Rubbed Bronze	+1,412

## Step 4A. Top Finish

T1 __	Veneer Tier 1	+0
T2 __	Veneer Tier 2	+1,483
GC __	Clear Glass, back painted	+6,385
GE __	Etched matte Glass, back painted	+7,674
CS01	Corian Glacier White	+9,749
QS __	Caesarstone	+24,187

## Step 4B. Lower Layer Finish (Layer top only)

SL __	Satin Lacquer	+656
T ___	Veneer Tier 1, 2, 3	+938
HG __	High Gloss Polyester	+1,030

## Step 5. Base Finish

T1 __	Veneer Tier 1	+1,242
T2 __	Veneer Tier 2	+2,604
SL __	Satin Lacquer	+0
HG __	High Gloss Polyester	+5,685

## Step 6. Power & Connectivity Access: Optional

DRHW	Drawer, Hardwired (layered edge only), Qty 6	+11,292
DRPI	Drawer, Plug In (layered edge only), Qty 6	+9,666
DRLK	Drawer, Linkable (layered edge only), Qty 6	+9,666
TMHW	Tabletop Metal lid, Hardwired, Qty 3	+12,390
TMPI	Tabletop Metal lid, Plug In, Qty 3	+10,557
TMLK	Tabletop Metal lid, Linkable, Qty 3	+9,006
TWHW	Tabletop Wood lid, Hardwired (veneer tops only), Qty 3	+11,355
TWPI	Tabletop Wood lid, Plug In (veneer tops only), Qty 3	+9,519
TWLK	Tabletop Wood lid, Linkable (veneer tops only), Qty 3	+7,974
UMHW	Undermount, Hardwired, Qty 6	+6,744
UMPI	Undermount, Plug In, Qty 6	+4,902
UMLK	Undermount, Linkable, Qty 6	+4,902
SOHW	Slide Out Power Box, Hardwired, Qty 6	+11,748
SOPI	Slide Out Power Box, Plug In, Qty 6	+9,966
SOLK	Slide Out Power Box, Linkable, Qty 6	+9,966

## Step 7. Microphone and/or Grommet Accommodations: Optional

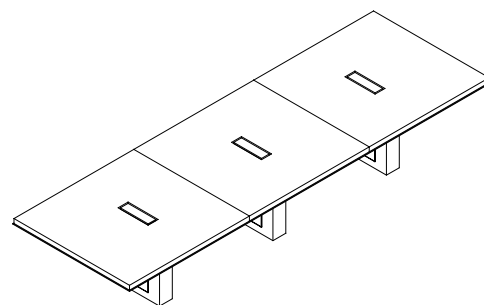
MA __	Microphone hole (factory cut)	Qty __ x 354 each
GM __	2" Grommet hole (factory cut), liner, lid, in matching metal finish	Qty __ x 466 each

Please consult [page 7](#) for the palette of DatesWeiser finishes. Natural stone, non-standard glass and veneer, and other technology options are available. Please email [customerservice@datesweiser.com](mailto:customerservice@datesweiser.com) for a custom quote. Consult technical information on [page 294](#) for construction details and technical information.

# Highline Fifty Rectangular Conference Table

54"x168"/ 12 Person

03R54X168



Starting Price: **\$29,908**

54x168 table, slab veneer Tier 1 top, open painted base with no metal trim, powder coat finish

Pattern Number: 03R54X168

## Step 1. Top Material

S	Slab (veneer only)
V	Veneer layered
G	Glass layered
C	Corian layered
Q	Caesarstone layered

## Step 2. Base Options

ON	Open Base, no metal trim	+ 0
MC __	Open Base, MC metal trim	+4,930
PM01	Open Base, PM01 metal trim	+6,675
PM02	Open Base, PM02 metal trim	+6,675
PM03	Open Base, PM03 metal trim	+9,006

## Step 3. Edge Selection/Finish

N__	No Edge	+0
AU__	Spinneybeck Leather: Acqua	+\$3,508
MC__	Powder Coat	+0
PM01	Polished Chrome	+2,107
PM02	Satin Nickel	+2,107
PM03	Oil Rubbed Bronze	+2,107

## Step 4A. Top Finish

T1 __	Veneer Tier 1	+0
T2 __	Veneer Tier 2	+1,598
GC __	Clear Glass, back painted	+6,877
GE __	Etched matte Glass, back painted	+8,266
CS01	Corian Glacier White	+10,072
QS __	Caesarstone	+26,048

## Step 4B. Lower Layer Finish (Layer top only)

SL __	Satin Lacquer	+717
T ___	Veneer Tier 1, 2, 3	+1,031
HG __	High Gloss Polyester	+1,134

## Step 5. Base Finish

T1 __	Veneer Tier 1	+1,242
T2 __	Veneer Tier 2	+2,604
SL __	Satin Lacquer	+0
HG __	High Gloss Polyester	+5,685

## Step 6. Power & Connectivity Access: Optional

DRHW	Drawer, Hardwired (layered edge only), Qty 6	+11,292
DRPI	Drawer, Plug In (layered edge only), Qty 6	+9,666
DRLK	Drawer, Linkable (layered edge only), Qty 6	+9,666
TMHW	Tabletop Metal lid, Hardwired, Qty 3	+12,390
TMPI	Tabletop Metal lid, Plug In, Qty 3	+10,557
TMLK	Tabletop Metal lid, Linkable, Qty 3	+9,006
TWHW	Tabletop Wood lid, Hardwired (veneer tops only), Qty 3	+11,355
TWPI	Tabletop Wood lid, Plug In (veneer tops only), Qty 3	+9,519
TWLK	Tabletop Wood lid, Linkable (veneer tops only), Qty 3	+7,974
UMHW	Undermount, Hardwired, Qty 6	+6,744
UMPI	Undermount, Plug In, Qty 6	+4,902
UMLK	Undermount, Linkable, Qty 6	+4,902
SOHW	Slide Out Power Box, Hardwired, Qty 6	+11,748
SOPI	Slide Out Power Box, Plug In, Qty 6	+9,966
SOLK	Slide Out Power Box, Linkable, Qty 6	+9,966

## Step 7. Microphone and/or Grommet Accommodations: Optional

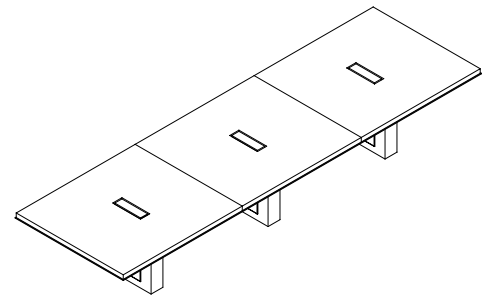
MA __	Microphone hole (factory cut)	Qty __ x 354 each
GM __	2" Grommet hole (factory cut), liner, lid, in matching metal finish	Qty __ x 466 each

Please consult [page 7](#) for the palette of DatesWeiser finishes. Natural stone, non-standard glass and veneer, and other technology options are available. Please email [customerservice@datesweiser.com](mailto:customerservice@datesweiser.com) for a custom quote. Consult technical information on [page 294](#) for construction details and technical information.

# Highline Fifty Rectangular Conference Table

54"x180"/ 14 Person

03R54X180



Starting Price: **\$30,855**

54x180 table, slab veneer Tier 1 top, open painted base with no metal trim, powder coat finish

Pattern Number: 03R54X180

## Step 1. Top Material

S	Slab (veneer only)	
V	Veneer layered	
G	Glass layered	
C	Corian layered	
Q	Caesarstone layered	

## Step 2. Base Options

ON	Open Base, no metal trim	+ 0
MC __	Open Base, MC metal trim	+4,930
PM01	Open Base, PM01 metal trim	+6,675
PM02	Open Base, PM02 metal trim	+6,675
PM03	Open Base, PM03 metal trim	+9,006

## Step 3. Edge Selection/Finish

N__	No Edge	+0
AU__	Spinneybeck Leather: Acqua	+\$3,698
MC__	Powder Coat	+0
PM01	Polished Chrome	+2,107
PM02	Satin Nickel	+2,107
PM03	Oil Rubbed Bronze	+2,107

## Step 4A. Top Finish

T1 __	Veneer Tier 1	+0
T2 __	Veneer Tier 2	+1,702
GC __	Clear Glass, back painted	+7,358
GE __	Etched matte Glass, back painted	+8,847
CS01	Corian Glacier White	+10,781
QS __	Caesarstone	+27,899

## Step 4B. Lower Layer Finish (Layer top only)

SL __	Satin Lacquer	+736
T ___	Veneer Tier 1, 2, 3	+1,141
HG __	High Gloss Polyester	+1,255

## Step 5. Base Finish

T1 __	Veneer Tier 1	+1,242
T2 __	Veneer Tier 2	+2,604
SL __	Satin Lacquer	+0
HG __	High Gloss Polyester	+5,685

## Step 6. Power & Connectivity Access: Optional

DRHW	Drawer, Hardwired (layered edge only), Qty 8	+15,056
DRPI	Drawer, Plug In (layered edge only), Qty 8	+12,888
DRLK	Drawer, Linkable (layered edge only), Qty 8	+12,888
TMHW	Tabletop Metal lid, Hardwired, Qty 3	+12,390
TMPI	Tabletop Metal lid, Plug In, Qty 3	+10,557
TMLK	Tabletop Metal lid, Linkable, Qty 3	+9,006
TWHW	Tabletop Wood lid, Hardwired (veneer tops only), Qty 3	+11,355
TWPI	Tabletop Wood lid, Plug In (veneer tops only), Qty 3	+9,519
TWLK	Tabletop Wood lid, Linkable (veneer tops only), Qty 3	+7,974
UMHW	Undermount, Hardwired, Qty 8	+8,992
UMPI	Undermount, Plug In, Qty 8	+6,536
UMLK	Undermount, Linkable, Qty 8	+6,536
SOHW	Slide Out Power Box, Hardwired, Qty 8	+15,664
SOPI	Slide Out Power Box, Plug In, Qty 8	+13,288
SOLK	Slide Out Power Box, Linkable, Qty 8	+13,288

## Step 7. Microphone and/or Grommet Accommodations: Optional

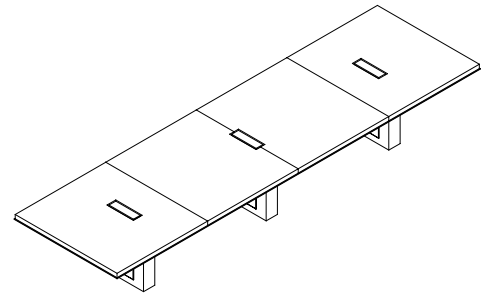
MA __	Microphone hole (factory cut)	Qty __ x 354 each
GM __	2" Grommet hole (factory cut), liner, lid, in matching metal finish	Qty __ x 466 each

Please consult [page 7](#) for the palette of DatesWeiser finishes. Natural stone, non-standard glass and veneer, and other technology options are available. Please email [customerservice@datesweiser.com](mailto:customerservice@datesweiser.com) for a custom quote. Consult technical information on [page 294](#) for construction details and technical information.

# Highline Fifty Rectangular Conference Table

54"x192"/ 14 Person

03R54X192



Starting Price: **\$35,646**

54x192 table, slab veneer Tier 1 top, open painted base with no metal trim, powder coat finish

Pattern Number: 03R54X192

## Step 1. Top Material

S	Slab (veneer only)	
V	Veneer layered	
G	Glass layered	
C	Corian layered	
Q	Caesarstone layered	

## Step 2. Base Options

ON	Open Base, no metal trim	+ 0
MC __	Open Base, MC metal trim	+4,930
PM01	Open Base, PM01 metal trim	+6,675
PM02	Open Base, PM02 metal trim	+6,675
PM03	Open Base, PM03 metal trim	+9,006

## Step 3. Edge Selection/Finish

N__	No Edge	+0
AU__	Spinneybeck Leather: Acqua	+\$3,887
MC__	Powder Coat	+0
PM01	Polished Chrome	+2,107
PM02	Satin Nickel	+2,107
PM03	Oil Rubbed Bronze	+2,107

## Step 4A. Top Finish

T1 __	Veneer Tier 1	+0
T2 __	Veneer Tier 2	+1,825
GC __	Clear Glass, back painted	+7,859
GE __	Etched matte Glass, back painted	+9,446
CS01	Corian Glacier White	+11,512
QS __	Caesarstone	+29,768

## Step 4B. Lower Layer Finish (Layer top only)

SL __	Satin Lacquer	+789
T ___	Veneer Tier 1, 2, 3	+1,169
HG __	High Gloss Polyester	+1,285

## Step 5. Base Finish

T1 __	Veneer Tier 1	+1,242
T2 __	Veneer Tier 2	+2,604
SL __	Satin Lacquer	+0
HG __	High Gloss Polyester	+5,685

## Step 6. Power & Connectivity Access: Optional

DRHW	Drawer, Hardwired (layered edge only), Qty 8	+15,056
DRPI	Drawer, Plug In (layered edge only), Qty 8	+12,888
DRLK	Drawer, Linkable (layered edge only), Qty 8	+12,888
TMHW	Tabletop Metal lid, Hardwired, Qty 3	+12,390
TMPI	Tabletop Metal lid, Plug In, Qty 3	+10,557
TMLK	Tabletop Metal lid, Linkable, Qty 3	+9,006
TWHW	Tabletop Wood lid, Hardwired (veneer tops only), Qty 3	+11,355
TWPI	Tabletop Wood lid, Plug In (veneer tops only), Qty 3	+9,519
TWLK	Tabletop Wood lid, Linkable (veneer tops only), Qty 3	+7,974
UMHW	Undermount, Hardwired, Qty 8	+8,992
UMPI	Undermount, Plug In, Qty 8	+6,536
UMLK	Undermount, Linkable, Qty 8	+6,536
SOHW	Slide Out Power Box, Hardwired, Qty 8	+15,664
SOPI	Slide Out Power Box, Plug In, Qty 8	+13,288
SOLK	Slide Out Power Box, Linkable, Qty 8	+13,288

## Step 7. Microphone and/or Grommet Accommodations: Optional

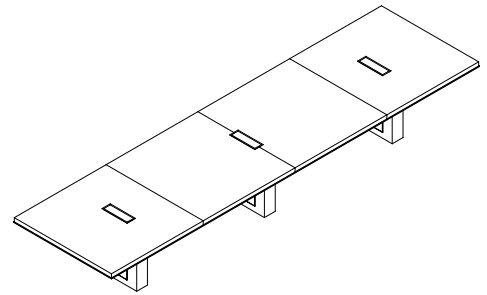
MA __	Microphone hole (factory cut)	Qty __ x 354 each
GM __	2" Grommet hole (factory cut), liner, lid, in matching metal finish	Qty __ x 466 each

Please consult [page 7](#) for the palette of DatesWeiser finishes. Natural stone, non-standard glass and veneer, and other technology options are available. Please email [customerservice@datesweiser.com](mailto:customerservice@datesweiser.com) for a custom quote. Consult technical information on [page 294](#) for construction details and technical information.

# Highline Fifty Rectangular Conference Table

54"x204"/ 14 Person

03R54X204



Starting Price: **\$36,619**

54x204 table, slab veneer Tier 1 top, open painted base with no metal trim, powder coat finish

Pattern Number: 03R54X204

## Step 1. Top Material

S	Slab (veneer only)
V	Veneer layered
G	Glass layered
C	Corian layered
Q	Caesarstone layered

## Step 2. Base Options

ON	Open Base, no metal trim	+ 0
MC __	Open Base, MC metal trim	+4,930
PM01	Open Base, PM01 metal trim	+6,675
PM02	Open Base, PM02 metal trim	+6,675
PM03	Open Base, PM03 metal trim	+9,006

## Step 3. Edge Selection/Finish

N__	No Edge	+0
AU__	Spinneybeck Leather: Acqua	+\$4,077
MC__	Powder Coat	+0
PM01	Polished Chrome	+2,107
PM02	Satin Nickel	+2,107
PM03	Oil Rubbed Bronze	+2,107

## Step 4A. Top Finish

T1 __	Veneer Tier 1	+0
T2 __	Veneer Tier 2	+1,940
GC __	Clear Glass, back painted	+8,349
GE __	Etched matte Glass, back painted	+10,037
CS01	Corian Glacier White	+12,229
QS __	Caesarstone	+31,627

## Step 4B. Lower Layer Finish (Layer top only)

SL __	Satin Lacquer	+867
T ___	Veneer Tier 1, 2, 3	+1,232
HG __	High Gloss Polyester	+1,353

## Step 5. Base Finish

T1 __	Veneer Tier 1	+1,242
T2 __	Veneer Tier 2	+2,604
SL __	Satin Lacquer	+0
HG __	High Gloss Polyester	+5,685

## Step 6. Power & Connectivity Access: Optional

DRHW	Drawer, Hardwired (layered edge only), Qty 8	+15,056
DRPI	Drawer, Plug In (layered edge only), Qty 8	+12,888
DRLK	Drawer, Linkable (layered edge only), Qty 8	+12,888
TMHW	Tabletop Metal lid, Hardwired, Qty 3	+12,390
TMPI	Tabletop Metal lid, Plug In, Qty 3	+10,557
TMLK	Tabletop Metal lid, Linkable, Qty 3	+9,006
TWHW	Tabletop Wood lid, Hardwired (veneer tops only), Qty 3	+11,355
TWPI	Tabletop Wood lid, Plug In (veneer tops only), Qty 3	+9,519
TWLK	Tabletop Wood lid, Linkable (veneer tops only), Qty 3	+7,974
UMHW	Undermount, Hardwired, Qty 8	+8,992
UMPI	Undermount, Plug In, Qty 8	+6,536
UMLK	Undermount, Linkable, Qty 8	+6,536
SOHW	Slide Out Power Box, Hardwired, Qty 8	+15,664
SOPI	Slide Out Power Box, Plug In, Qty 8	+13,288
SOLK	Slide Out Power Box, Linkable, Qty 8	+13,288

## Step 7. Microphone and/or Grommet Accommodations: Optional

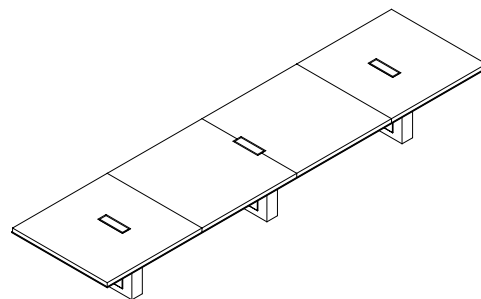
MA __	Microphone hole (factory cut)	Qty __ x 354 each
GM __	2" Grommet hole (factory cut), liner, lid, in matching metal finish	Qty __ x 466 each

Please consult [page 7](#) for the palette of DatesWeiser finishes. Natural stone, non-standard glass and veneer, and other technology options are available. Please email [customerservice@datesweiser.com](mailto:customerservice@datesweiser.com) for a custom quote. Consult technical information on [page 294](#) for construction details and technical information.

# Highline Fifty Rectangular Conference Table

54"x216"/ 16 Person

03R54X216



Starting Price: **\$37,578**

54x216 table, slab veneer Tier 1 top, open painted base with no metal trim, powder coat finish

Pattern Number: 03R54X216

## Step 1. Top Material

S	Slab (veneer only)
V	Veneer layered
G	Glass layered
C	Corian layered
Q	Caesarstone layered

## Step 2. Base Options

ON	Open Base, no metal trim	+ 0
MC __	Open Base, MC metal trim	+4,930
PM01	Open Base, PM01 metal trim	+6,675
PM02	Open Base, PM02 metal trim	+6,675
PM03	Open Base, PM03 metal trim	+9,006

## Step 3. Edge Selection/Finish

N__	No Edge	+0
AU__	Spinneybeck Leather: Acqua	+\$4,267
MC__	Powder Coat	+0
PM01	Polished Chrome	+2,107
PM02	Satin Nickel	+2,107
PM03	Oil Rubbed Bronze	+2,107

## Step 4A. Top Finish

T1 __	Veneer Tier 1	+0
T2 __	Veneer Tier 2	+2,054
GC __	Clear Glass, back painted	+8,841
GE __	Etched matte Glass, back painted	+10,628
CS01	Corian Glacier White	+12,950
QS __	Caesarstone	+33,489

## Step 4B. Lower Layer Finish (Layer top only)

SL __	Satin Lacquer	+908
T ___	Veneer Tier 1, 2, 3	+1,299
HG __	High Gloss Polyester	+1,429

## Step 5. Base Finish

T1 __	Veneer Tier 1	+1,242
T2 __	Veneer Tier 2	+2,604
SL __	Satin Lacquer	+0
HG __	High Gloss Polyester	+5,685

## Step 6. Power & Connectivity Access: Optional

DRHW	Drawer, Hardwired (layered edge only), Qty 8	+15,056
DRPI	Drawer, Plug In (layered edge only), Qty 8	+12,888
DRLK	Drawer, Linkable (layered edge only), Qty 8	+12,888
TMHW	Tabletop Metal lid, Hardwired, Qty 3	+12,390
TMPI	Tabletop Metal lid, Plug In, Qty 3	+10,557
TMLK	Tabletop Metal lid, Linkable, Qty 3	+9,006
TWHW	Tabletop Wood lid, Hardwired (veneer tops only), Qty 3	+11,355
TWPI	Tabletop Wood lid, Plug In (veneer tops only), Qty 3	+9,519
TWLK	Tabletop Wood lid, Linkable (veneer tops only), Qty 3	+7,974
UMHW	Undermount, Hardwired, Qty 8	+8,992
UMPI	Undermount, Plug In, Qty 8	+6,536
UMLK	Undermount, Linkable, Qty 8	+6,536
SOHW	Slide Out Power Box, Hardwired, Qty 8	+15,664
SOPI	Slide Out Power Box, Plug In, Qty 8	+13,288
SOLK	Slide Out Power Box, Linkable, Qty 8	+13,288

## Step 7. Microphone and/or Grommet Accommodations: Optional

MA __	Microphone hole (factory cut)	Qty __ x 354 each
GM __	2" Grommet hole (factory cut), liner, lid, in matching metal finish	Qty __ x 466 each

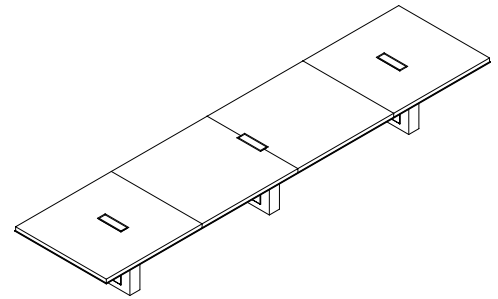
Please consult [page 7](#) for the palette of DatesWeiser finishes. Natural stone, non-standard glass and veneer, and other technology options are available. Please email [customerservice@datesweiser.com](mailto:customerservice@datesweiser.com) for a custom quote. Consult technical information on [page 294](#) for construction details and technical information.



# Highline Fifty Rectangular Conference Table

54"x228"/ 16 Person

03R54X228



Starting Price: **\$38,577**

54x228 table, slab veneer Tier 1 top, open painted base with no metal trim, powder coat finish

Pattern Number: 03R54X228

## Step 1. Top Material

S	Slab (veneer only)
V	Veneer layered
G	Glass layered
C	Corian layered
Q	Caesarstone layered

## Step 2. Base Options

ON	Open Base, no metal trim	+ 0
MC __	Open Base, MC metal trim	+4,930
PM01	Open Base, PM01 metal trim	+6,675
PM02	Open Base, PM02 metal trim	+6,675
PM03	Open Base, PM03 metal trim	+9,006

## Step 3. Edge Selection/Finish

N__	No Edge	+0
AU__	Spinneybeck Leather: Acqua	+\$4,456
MC__	Powder Coat	+0
PM01	Polished Chrome	+2,107
PM02	Satin Nickel	+2,107
PM03	Oil Rubbed Bronze	+2,107

## Step 4A. Top Finish

T1 __	Veneer Tier 1	+0
T2 __	Veneer Tier 2	+2,167
GC __	Clear Glass, back painted	+9,332
GE __	Etched matte Glass, back painted	+11,217
CS01	Corian Glacier White	+13,667
QS __	Caesarstone	+35,349

## Step 4B. Lower Layer Finish (Layer top only)

SL __	Satin Lacquer	+922
T ___	Veneer Tier 1, 2, 3	+1,367
HG __	High Gloss Polyester	+1,505

## Step 5. Base Finish

T1 __	Veneer Tier 1	+1,242
T2 __	Veneer Tier 2	+2,604
SL __	Satin Lacquer	+0
HG __	High Gloss Polyester	+5,685

## Step 6. Power & Connectivity Access: Optional

DRHW	Drawer, Hardwired (layered edge only), Qty 8	+15,056
DRPI	Drawer, Plug In (layered edge only), Qty 8	+12,888
DRLK	Drawer, Linkable (layered edge only), Qty 8	+12,888
TMHW	Tabletop Metal lid, Hardwired, Qty 3	+12,390
TMPI	Tabletop Metal lid, Plug In, Qty 3	+10,557
TMLK	Tabletop Metal lid, Linkable, Qty 3	+9,006
TWHW	Tabletop Wood lid, Hardwired (veneer tops only), Qty 3	+11,355
TWPI	Tabletop Wood lid, Plug In (veneer tops only), Qty 3	+9,519
TWLK	Tabletop Wood lid, Linkable (veneer tops only), Qty 3	+7,974
UMHW	Undermount, Hardwired, Qty 8	+8,992
UMPI	Undermount, Plug In, Qty 8	+6,536
UMLK	Undermount, Linkable, Qty 8	+6,536
SOHW	Slide Out Power Box, Hardwired, Qty 8	+15,664
SOPI	Slide Out Power Box, Plug In, Qty 8	+13,288
SOLK	Slide Out Power Box, Linkable, Qty 8	+13,288

## Step 7. Microphone and/or Grommet Accommodations: Optional

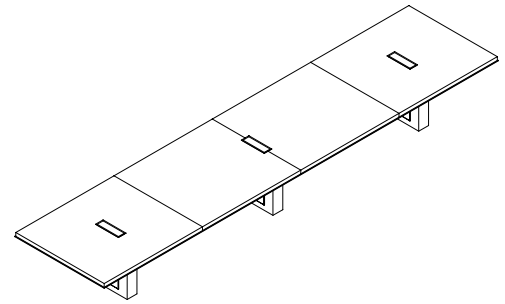
MA __	Microphone hole (factory cut)	Qty __ x 354 each
GM __	2" Grommet hole (factory cut), liner, lid, in matching metal finish	Qty __ x 466 each

Please consult [page 7](#) for the palette of DatesWeiser finishes. Natural stone, non-standard glass and veneer, and other technology options are available. Please email [customerservice@datesweiser.com](mailto:customerservice@datesweiser.com) for a custom quote. Consult technical information on [page 294](#) for construction details and technical information.

# Highline Fifty Rectangular Conference Table

54"x240"/ 18 Person

03R54X240



Starting Price: **\$39,525**

54x240 table, slab veneer Tier 1 top, open painted base with no metal trim, powder coat finish

Pattern Number: 03R54X240

## Step 1. Top Material

S	Slab (veneer only)
V	Veneer layered
G	Glass layered
C	Corian layered
Q	Caesarstone layered

## Step 2. Base Options

ON	Open Base, no metal trim	+ 0
MC __	Open Base, MC metal trim	+4,930
PM01	Open Base, PM01 metal trim	+6,675
PM02	Open Base, PM02 metal trim	+6,675
PM03	Open Base, PM03 metal trim	+9,006

## Step 3. Edge Selection/Finish

N__	No Edge	+0
AU__	Spinneybeck Leather: Acqua	+\$4,646
MC__	Powder Coat	+0
PM01	Polished Chrome	+2,107
PM02	Satin Nickel	+2,107
PM03	Oil Rubbed Bronze	+2,107

## Step 4A. Top Finish

T1 __	Veneer Tier 1	+0
T2 __	Veneer Tier 2	+2,282
GC __	Clear Glass, back painted	+9,823
GE __	Etched matte Glass, back painted	+11,807
CS01	Corian Glacier White	+14,387
QS __	Caesarstone	+37,209

## Step 4B. Lower Layer Finish (Layer top only)

SL __	Satin Lacquer	+971
T ___	Veneer Tier 1, 2, 3	+1,470
HG __	High Gloss Polyester	+1,616

## Step 5. Base Finish

T1 __	Veneer Tier 1	+1,242
T2 __	Veneer Tier 2	+2,604
SL __	Satin Lacquer	+0
HG __	High Gloss Polyester	+5,685

## Step 6. Power & Connectivity Access: Optional

DRHW	Drawer, Hardwired (layered edge only), Qty 10	+18,820
DRPI	Drawer, Plug In (layered edge only), Qty 10	+16,110
DRLK	Drawer, Linkable (layered edge only), Qty 10	+16,110
TMHW	Tabletop Metal lid, Hardwired, Qty 3	+12,390
TMPI	Tabletop Metal lid, Plug In, Qty 3	+10,557
TMLK	Tabletop Metal lid, Linkable, Qty 3	+9,006
TWHW	Tabletop Wood lid, Hardwired (veneer tops only), Qty 3	+11,355
TWPI	Tabletop Wood lid, Plug In (veneer tops only), Qty 3	+9,519
TWLK	Tabletop Wood lid, Linkable (veneer tops only), Qty 3	+7,974
UMHW	Undermount, Hardwired, Qty 10	+11,240
UMPI	Undermount, Plug In, Qty 10	+8,170
UMLK	Undermount, Linkable, Qty 10	+8,170
SOHW	Slide Out Power Box, Hardwired, Qty 10	+19,580
SOPI	Slide Out Power Box, Plug In, Qty 10	+16,610
SOLK	Slide Out Power Box, Linkable, Qty 10	+16,610

## Step 7. Microphone and/or Grommet Accommodations: Optional

MA __	Microphone hole (factory cut)	Qty __ x 354 each
GM __	2" Grommet hole (factory cut), liner, lid, in matching metal finish	Qty __ x 466 each

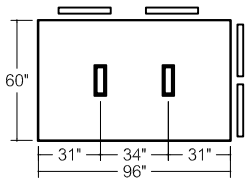
Please consult [page 7](#) for the palette of DatesWeiser finishes. Natural stone, non-standard glass and veneer, and other technology options are available. Please email [customerservice@datesweiser.com](mailto:customerservice@datesweiser.com) for a custom quote. Consult technical information on [page 294](#) for construction details and technical information.



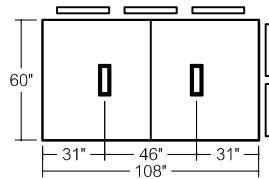


# Highline Fifty Conference Tables Index

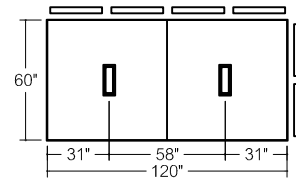
60" width



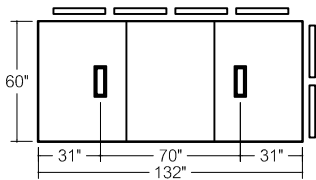
03R60X96  
8 Person Table



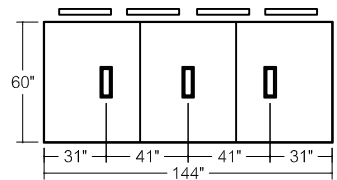
03R60X108  
10 Person Table



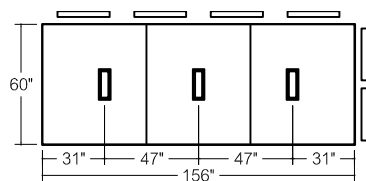
03R60X120  
12 Person Table



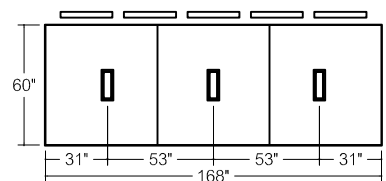
03R60X132  
12 Person Table



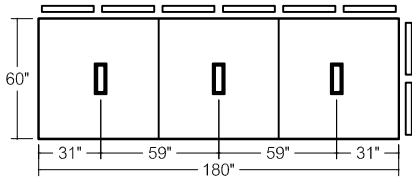
03R60X144  
12 Person Table



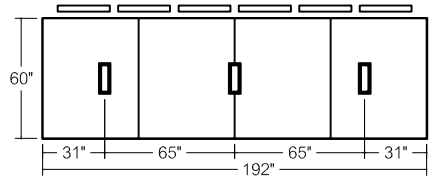
03R60X156  
12 Person Table



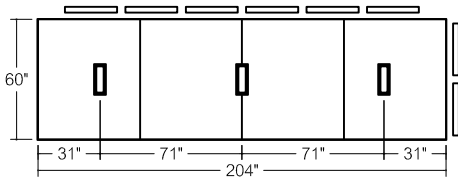
03R60X168  
14 Person Table



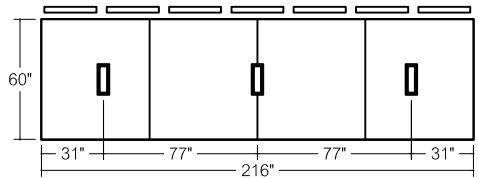
03R60X180  
16 Person Table



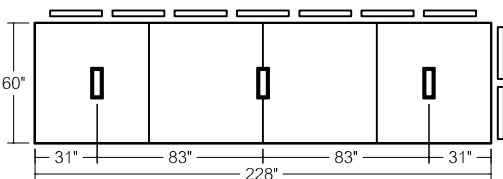
03R60X192  
16 Person Table



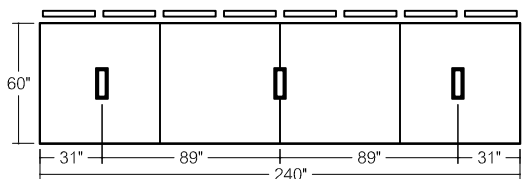
03R60X204  
16 Person Table



03R60X216  
18 Person Table



03R60X228  
18 Person Table

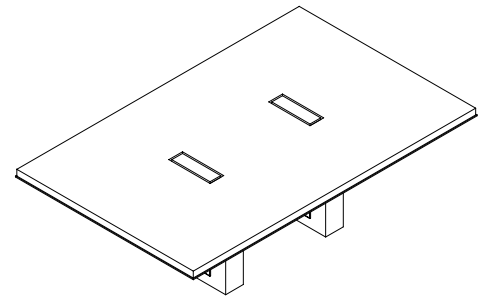


03R60X240  
20 Person Table

# Highline Fifty Rectangular Conference Table

60"x96" / 8 Person

03R60X96



Starting Price: **\$18,958**

60x96 table, slab veneer Tier 1 top, open painted base with no metal trim, powder coat finish

Pattern Number: 03R60X96

## Step 1. Top Material

S	Slab (veneer only)
V	Veneer layered
G	Glass layered
C	Corian layered
Q	Caesarstone layered

## Step 2. Base Options

ON	Open Base, no metal trim	+ 0
MC __	Open Base, MC metal trim	+3,287
PM01	Open Base, PM01 metal trim	+6,674
PM02	Open Base, PM02 metal trim	+6,674
PM03	Open Base, PM03 metal trim	+9,006

## Step 3. Edge Selection/Finish

N__	No Edge	+0
AU__	Spinneybeck Leather: Acqua	+\$2,465
MC__	Powder Coat	+0
PM01	Polished Chrome	+1,256
PM02	Satin Nickel	+1,256
PM03	Oil Rubbed Bronze	+1,256

## Step 4A. Top Finish

T1 __	Veneer Tier 1	+0
T2 __	Veneer Tier 2	+1,014
GC __	Clear Glass, back painted	+4,366
GE __	Etched matte Glass, back painted	+5,248
CS01	Corian Glacier White	+6,394
QS __	Caesarstone	+16,637

## Step 4B. Lower Layer Finish (Layer top only)

SL __	Satin Lacquer	+425
T ___	Veneer Tier 1, 2, 3	+662
HG __	High Gloss Polyester	+729

## Step 5. Base Finish

T1 __	Veneer Tier 1	+880
T2 __	Veneer Tier 2	+2,106
SL __	Satin Lacquer	+0
HG __	High Gloss Polyester	+4,062

## Step 6. Power & Connectivity Access: Optional

DRHW	Drawer, Hardwired (layered edge only), Qty 4	+7,528
DRPI	Drawer, Plug In (layered edge only), Qty 4	+6,444
DRLK	Drawer, Linkable (layered edge only), Qty 4	+6,444
TMHW	Tabletop Metal lid, Hardwired, Qty 2	+8,260
TMPI	Tabletop Metal lid, Plug In, Qty 2	+7,038
TMLK	Tabletop Metal lid, Linkable, Qty 2	+6,004
TWHW	Tabletop Wood lid, Hardwired (veneer tops only), Qty 2	+7,570
TWPI	Tabletop Wood lid, Plug In (veneer tops only), Qty 2	+6,346
TWLK	Tabletop Wood lid, Linkable (veneer tops only), Qty 2	+5,316
UMHW	Undermount, Hardwired, Qty 4	+4,496
UMPI	Undermount, Plug In, Qty 4	+3,268
UMLK	Undermount, Linkable, Qty 4	+3,268
SOHW	Slide Out Power Box, Hardwired, Qty 4	+7,832
SOPI	Slide Out Power Box, Plug In, Qty 4	+6,644
SOLK	Slide Out Power Box, Linkable, Qty 4	+6,644

## Step 7. Microphone and/or Grommet Accommodations: Optional

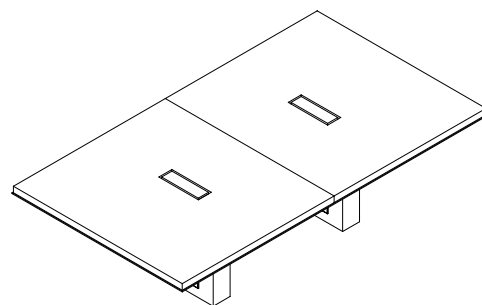
MA __	Microphone hole (factory cut)	Qty __ x 354 each
GM __	2" Grommet hole (factory cut), liner, lid, in matching metal finish	Qty __ x 466 each

Please consult [page 7](#) for the palette of DatesWeiser finishes. Natural stone, non-standard glass and veneer, and other technology options are available. Please email [customerservice@datesweiser.com](mailto:customerservice@datesweiser.com) for a custom quote. Consult technical information on [page 294](#) for construction details and technical information.

# Highline Fifty Rectangular Conference Table

60"x108"/ 10 Person

03R60X108



Starting Price: **\$20,000**

60x108 table, slab veneer Tier 1 top, open painted base with no metal trim, powder coat finish

Pattern Number: 03R60X108

## Step 1. Top Material

S	Slab (veneer only)
V	Veneer layered
G	Glass layered
C	Corian layered
Q	Caesarstone layered

## Step 2. Base Options

ON	Open Base, no metal trim	+ 0
MC __	Open Base, MC metal trim	+3,287
PM01	Open Base, PM01 metal trim	+6,674
PM02	Open Base, PM02 metal trim	+6,674
PM03	Open Base, PM03 metal trim	+9,006

## Step 3. Edge Selection/Finish

N__	No Edge	+0
AU__	Spinneybeck Leather: Acqua	+\$2,654
MC__	Powder Coat	+0
PM01	Polished Chrome	+1,256
PM02	Satin Nickel	+1,256
PM03	Oil Rubbed Bronze	+1,256

## Step 4A. Top Finish

T1 __	Veneer Tier 1	+0
T2 __	Veneer Tier 2	+1,142
GC __	Clear Glass, back painted	+4,912
GE __	Etched matte Glass, back painted	+5,905
CS01	Corian Glacier White	+7,194
QS __	Caesarstone	+18,605

## Step 4B. Lower Layer Finish (Layer top only)

SL __	Satin Lacquer	+504
T ___	Veneer Tier 1, 2, 3	+765
HG __	High Gloss Polyester	+842

## Step 5. Base Finish

T1 __	Veneer Tier 1	+880
T2 __	Veneer Tier 2	+2,106
SL __	Satin Lacquer	+0
HG __	High Gloss Polyester	+4,062

## Step 6. Power & Connectivity Access: Optional

DRHW	Drawer, Hardwired (layered edge only), Qty 4	+7,528
DRPI	Drawer, Plug In (layered edge only), Qty 4	+6,444
DRLK	Drawer, Linkable (layered edge only), Qty 4	+6,444
TMHW	Tabletop Metal lid, Hardwired, Qty 2	+8,260
TMPI	Tabletop Metal lid, Plug In, Qty 2	+7,038
TMLK	Tabletop Metal lid, Linkable, Qty 2	+6,004
TWHW	Tabletop Wood lid, Hardwired (veneer tops only), Qty 2	+7,570
TWPI	Tabletop Wood lid, Plug In (veneer tops only), Qty 2	+6,346
TWLK	Tabletop Wood lid, Linkable (veneer tops only), Qty 2	+5,316
UMHW	Undermount, Hardwired, Qty 4	+4,496
UMPI	Undermount, Plug In, Qty 4	+3,268
UMLK	Undermount, Linkable, Qty 4	+3,268
SOHW	Slide Out Power Box, Hardwired, Qty 4	+7,832
SOPI	Slide Out Power Box, Plug In, Qty 4	+6,644
SOLK	Slide Out Power Box, Linkable, Qty 4	+6,644

## Step 7. Microphone and/or Grommet Accommodations: Optional

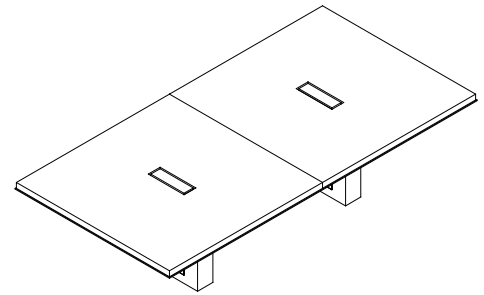
MA __	Microphone hole (factory cut)	Qty __ x 354 each
GM __	2" Grommet hole (factory cut), liner, lid, in matching metal finish	Qty __ x 466 each

Please consult [page 7](#) for the palette of DatesWeiser finishes. Natural stone, non-standard glass and veneer, and other technology options are available. Please email [customerservice@datesweiser.com](mailto:customerservice@datesweiser.com) for a custom quote. Consult technical information on [page 294](#) for construction details and technical information.

# Highline Fifty Rectangular Conference Table

60"x120"/ 12 Person

03R60X120



Starting Price: **\$21,198**

60x120 table, slab veneer Tier 1 top, open painted base with no metal trim, powder coat finish

Pattern Number: 03R60X120

## Step 1. Top Material

S	Slab (veneer only)	
V	Veneer layered	
G	Glass layered	
C	Corian layered	
Q	Caesarstone layered	

## Step 2. Base Options

ON	Open Base, no metal trim	+ 0
MC __	Open Base, MC metal trim	+3,287
PM01	Open Base, PM01 metal trim	+6,674
PM02	Open Base, PM02 metal trim	+6,674
PM03	Open Base, PM03 metal trim	+9,006

## Step 3. Edge Selection/Finish

N__	No Edge	+0
AU__	Spinneybeck Leather: Acqua	+\$2,844
MC__	Powder Coat	+0
PM01	Polished Chrome	+1,256
PM02	Satin Nickel	+1,256
PM03	Oil Rubbed Bronze	+1,256

## Step 4A. Top Finish

T1 __	Veneer Tier 1	+0
T2 __	Veneer Tier 2	+1,269
GC __	Clear Glass, back painted	+5,458
GE __	Etched matte Glass, back painted	+6,561
CS01	Corian Glacier White	+7,994
QS __	Caesarstone	+20,673

## Step 4B. Lower Layer Finish (Layer top only)

SL __	Satin Lacquer	+534
T ___	Veneer Tier 1, 2, 3	+796
HG __	High Gloss Polyester	+876

## Step 5. Base Finish

T1 __	Veneer Tier 1	+880
T2 __	Veneer Tier 2	+2,106
SL __	Satin Lacquer	+0
HG __	High Gloss Polyester	+4,062

## Step 6. Power & Connectivity Access: Optional

DRHW	Drawer, Hardwired (layered edge only), Qty 6	+11,292
DRPI	Drawer, Plug In (layered edge only), Qty 6	+9,666
DRLK	Drawer, Linkable (layered edge only), Qty 6	+9,666
TMHW	Tabletop Metal lid, Hardwired, Qty 2	+8,260
TMPI	Tabletop Metal lid, Plug In, Qty 2	+7,038
TMLK	Tabletop Metal lid, Linkable, Qty 2	+6,004
TWHW	Tabletop Wood lid, Hardwired (veneer tops only), Qty 2	+7,570
TWPI	Tabletop Wood lid, Plug In (veneer tops only), Qty 2	+6,346
TWLK	Tabletop Wood lid, Linkable (veneer tops only), Qty 2	+5,316
UMHW	Undermount, Hardwired, Qty 6	+6,744
UMPI	Undermount, Plug In, Qty 6	+4,902
UMLK	Undermount, Linkable, Qty 6	+4,902
SOHW	Slide Out Power Box, Hardwired, Qty 6	+11,748
SOPI	Slide Out Power Box, Plug In, Qty 6	+9,966
SOLK	Slide Out Power Box, Linkable, Qty 6	+9,966

## Step 7. Microphone and/or Grommet Accommodations: Optional

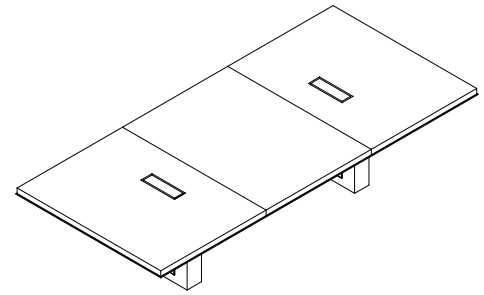
MA __	Microphone hole (factory cut)	Qty __ x 354 each
GM __	2" Grommet hole (factory cut), liner, lid, in matching metal finish	Qty __ x 466 each

Please consult [page 7](#) for the palette of DatesWeiser finishes. Natural stone, non-standard glass and veneer, and other technology options are available. Please email [customerservice@datesweiser.com](mailto:customerservice@datesweiser.com) for a custom quote. Consult technical information on [page 294](#) for construction details and technical information.

# Highline Fifty Rectangular Conference Table

60"x132"/ 12 Person

03R60X132



Starting Price: **\$26,345**

60x132 table, slab veneer Tier 1 top, open painted base with no metal trim, powder coat finish

Pattern Number: 03R60X132

## Step 1. Top Material

S	Slab (veneer only)	
V	Veneer layered	
G	Glass layered	
C	Corian layered	
Q	Caesarstone layered	

## Step 2. Base Options

ON	Open Base, no metal trim	+ 0
MC __	Open Base, MC metal trim	+3,287
PM01	Open Base, PM01 metal trim	+6,674
PM02	Open Base, PM02 metal trim	+6,674
PM03	Open Base, PM03 metal trim	+9,006

## Step 3. Edge Selection/Finish

N__	No Edge	+0
AU__	Spinneybeck Leather: Acqua	+\$3,035
MC__	Powder Coat	+0
PM01	Polished Chrome	+1,413
PM02	Satin Nickel	+1,413
PM03	Oil Rubbed Bronze	+1,413

## Step 4A. Top Finish

T1 __	Veneer Tier 1	+0
T2 __	Veneer Tier 2	+1,394
GC __	Clear Glass, back painted	+6,002
GE __	Etched matte Glass, back painted	+7,215
CS01	Corian Glacier White	+8,792
QS __	Caesarstone	+22,738

## Step 4B. Lower Layer Finish (Layer top only)

SL __	Satin Lacquer	+613
T ___	Veneer Tier 1, 2, 3	+886
HG __	High Gloss Polyester	+975

## Step 5. Base Finish

T1 __	Veneer Tier 1	+880
T2 __	Veneer Tier 2	+2,106
SL __	Satin Lacquer	+0
HG __	High Gloss Polyester	+4,062

## Step 6. Power & Connectivity Access: Optional

DRHW	Drawer, Hardwired (layered edge only), Qty 6	+11,292
DRPI	Drawer, Plug In (layered edge only), Qty 6	+9,666
DRLK	Drawer, Linkable (layered edge only), Qty 6	+9,666
TMHW	Tabletop Metal lid, Hardwired, Qty 2	+8,260
TMPI	Tabletop Metal lid, Plug In, Qty 2	+7,038
TMLK	Tabletop Metal lid, Linkable, Qty 2	+6,004
TWHW	Tabletop Wood lid, Hardwired (veneer tops only), Qty 2	+7,570
TWPI	Tabletop Wood lid, Plug In (veneer tops only), Qty 2	+6,346
TWLK	Tabletop Wood lid, Linkable (veneer tops only), Qty 2	+5,316
UMHW	Undermount, Hardwired, Qty 6	+6,744
UMPI	Undermount, Plug In, Qty 6	+4,902
UMLK	Undermount, Linkable, Qty 6	+4,902
SOHW	Slide Out Power Box, Hardwired, Qty 6	+11,748
SOPI	Slide Out Power Box, Plug In, Qty 6	+9,966
SOLK	Slide Out Power Box, Linkable, Qty 6	+9,966

## Step 7. Microphone and/or Grommet Accommodations: Optional

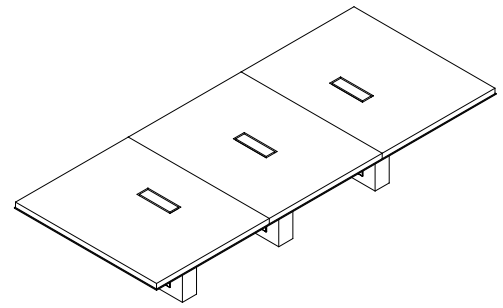
MA __	Microphone hole (factory cut)	Qty __ x 354 each
GM __	2" Grommet hole (factory cut), liner, lid, in matching metal finish	Qty __ x 466 each

Please consult [page 7](#) for the palette of DatesWeiser finishes. Natural stone, non-standard glass and veneer, and other technology options are available. Please email [customerservice@datesweiser.com](mailto:customerservice@datesweiser.com) for a custom quote. Consult technical information on [page 294](#) for construction details and technical information.

# Highline Fifty Rectangular Conference Table

60"x144"/ 12 Person

03R60X144



Starting Price: **\$27,684**

60x144 table, slab veneer Tier 1 top, open painted base with no metal trim, powder coat finish

Pattern Number: 03R60X144

## Step 1. Top Material

S	Slab (veneer only)
V	Veneer layered
G	Glass layered
C	Corian layered
Q	Caesarstone layered

## Step 2. Base Options

ON	Open Base, no metal trim	+ 0
MC __	Open Base, MC metal trim	+4,930
PM01	Open Base, PM01 metal trim	+6,675
PM02	Open Base, PM02 metal trim	+6,675
PM03	Open Base, PM03 metal trim	+9,006

## Step 3. Edge Selection/Finish

N__	No Edge	+0
AU__	Spinneybeck Leather: Acqua	+\$3,224
MC__	Powder Coat	+0
PM01	Polished Chrome	+1,413
PM02	Satin Nickel	+1,413
PM03	Oil Rubbed Bronze	+1,413

## Step 4A. Top Finish

T1 __	Veneer Tier 1	+0
T2 __	Veneer Tier 2	+1,522
GC __	Clear Glass, back painted	+6,549
GE __	Etched matte Glass, back painted	+7,872
CS01	Corian Glacier White	+9,592
QS __	Caesarstone	+24,807

## Step 4B. Lower Layer Finish (Layer top only)

SL __	Satin Lacquer	+680
T ___	Veneer Tier 1, 2, 3	+942
HG __	High Gloss Polyester	+1,036

## Step 5. Base Finish

T1 __	Veneer Tier 1	+1,320
T2 __	Veneer Tier 2	+3,159
SL __	Satin Lacquer	+0
HG __	High Gloss Polyester	+6,093

## Step 6. Power & Connectivity Access: Optional

DRHW	Drawer, Hardwired (layered edge only), Qty 6	+11,292
DRPI	Drawer, Plug In (layered edge only), Qty 6	+9,666
DRLK	Drawer, Linkable (layered edge only), Qty 6	+9,666
TMHW	Tabletop Metal lid, Hardwired, Qty 3	+12,390
TMPI	Tabletop Metal lid, Plug In, Qty 3	+10,557
TMLK	Tabletop Metal lid, Linkable, Qty 3	+9,006
TWHW	Tabletop Wood lid, Hardwired (veneer tops only), Qty 3	+11,355
TWPI	Tabletop Wood lid, Plug In (veneer tops only), Qty 3	+9,519
TWLK	Tabletop Wood lid, Linkable (veneer tops only), Qty 3	+7,974
UMHW	Undermount, Hardwired, Qty 6	+6,744
UMPI	Undermount, Plug In, Qty 6	+4,902
UMLK	Undermount, Linkable, Qty 6	+4,902
SOHW	Slide Out Power Box, Hardwired, Qty 6	+11,748
SOPI	Slide Out Power Box, Plug In, Qty 6	+9,966
SOLK	Slide Out Power Box, Linkable, Qty 6	+9,966

## Step 7. Microphone and/or Grommet Accommodations: Optional

MA __	Microphone hole (factory cut)	Qty __ x 354 each
GM __	2" Grommet hole (factory cut), liner, lid, in matching metal finish	Qty __ x 466 each

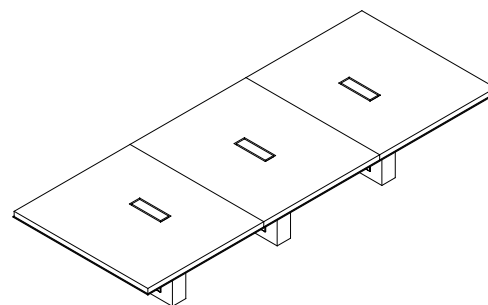
Please consult [page 7](#) for the palette of DatesWeiser finishes. Natural stone, non-standard glass and veneer, and other technology options are available. Please email [customerservice@datesweiser.com](mailto:customerservice@datesweiser.com) for a custom quote. Consult technical information on [page 294](#) for construction details and technical information.



# Highline Fifty Rectangular Conference Table

60"x156"/ 12 Person

03R60X156



Starting Price: **\$28,767**

60x156 table, slab veneer Tier 1 top, open painted base with no metal trim, powder coat finish

Pattern Number: 03R60X156

## Step 1. Top Material

S	Slab (veneer only)
V	Veneer layered
G	Glass layered
C	Corian layered
Q	Caesarstone layered

## Step 2. Base Options

ON	Open Base, no metal trim	+ 0
MC __	Open Base, MC metal trim	+4,930
PM01	Open Base, PM01 metal trim	+6,675
PM02	Open Base, PM02 metal trim	+6,675
PM03	Open Base, PM03 metal trim	+9,006

## Step 3. Edge Selection/Finish

N__	No Edge	+0
AU__	Spinneybeck Leather: Acqua	+\$3,414
MC__	Powder Coat	+0
PM01	Polished Chrome	+1,413
PM02	Satin Nickel	+1,413
PM03	Oil Rubbed Bronze	+1,413

## Step 4A. Top Finish

T1 __	Veneer Tier 1	+0
T2 __	Veneer Tier 2	+1,647
GC __	Clear Glass, back painted	+7,094
GE __	Etched matte Glass, back painted	+8,527
CS01	Corian Glacier White	+10,391
QS __	Caesarstone	+26,873

## Step 4B. Lower Layer Finish (Layer top only)

SL __	Satin Lacquer	+711
T ___	Veneer Tier 1, 2, 3	+1,009
HG __	High Gloss Polyester	+1,109

## Step 5. Base Finish

T1 __	Veneer Tier 1	+1,320
T2 __	Veneer Tier 2	+3,159
SL __	Satin Lacquer	+0
HG __	High Gloss Polyester	+6,093

## Step 6. Power & Connectivity Access: Optional

DRHW	Drawer, Hardwired (layered edge only), Qty 6	+11,292
DRPI	Drawer, Plug In (layered edge only), Qty 6	+9,666
DRLK	Drawer, Linkable (layered edge only), Qty 6	+9,666
TMHW	Tabletop Metal lid, Hardwired, Qty 3	+12,390
TMPI	Tabletop Metal lid, Plug In, Qty 3	+10,557
TMLK	Tabletop Metal lid, Linkable, Qty 3	+9,006
TWHW	Tabletop Wood lid, Hardwired (veneer tops only), Qty 3	+11,355
TWPI	Tabletop Wood lid, Plug In (veneer tops only), Qty 3	+9,519
TWLK	Tabletop Wood lid, Linkable (veneer tops only), Qty 3	+7,974
UMHW	Undermount, Hardwired, Qty 6	+6,744
UMPI	Undermount, Plug In, Qty 6	+4,902
UMLK	Undermount, Linkable, Qty 6	+4,902
SOHW	Slide Out Power Box, Hardwired, Qty 6	+11,748
SOPI	Slide Out Power Box, Plug In, Qty 6	+9,966
SOLK	Slide Out Power Box, Linkable, Qty 6	+9,966

## Step 7. Microphone and/or Grommet Accommodations: Optional

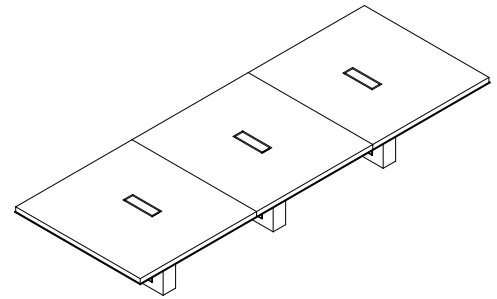
MA __	Microphone hole (factory cut)	Qty __ x 354 each
GM __	2" Grommet hole (factory cut), liner, lid, in matching metal finish	Qty __ x 466 each

Please consult [page 7](#) for the palette of DatesWeiser finishes. Natural stone, non-standard glass and veneer, and other technology options are available. Please email [customerservice@datesweiser.com](mailto:customerservice@datesweiser.com) for a custom quote. Consult technical information on [page 294](#) for construction details and technical information.

# Highline Fifty Rectangular Conference Table

60"x168"/ 14 Person

03R60X168



Starting Price: **\$30,210**

60x168 table, slab veneer Tier 1 top, open painted base with no metal trim, powder coat finish

Pattern Number: 03R60X168

## Step 1. Top Material

S	Slab (veneer only)
V	Veneer layered
G	Glass layered
C	Corian layered
Q	Caesarstone layered

## Step 2. Base Options

ON	Open Base, no metal trim	+ 0
MC __	Open Base, MC metal trim	+4,930
PM01	Open Base, PM01 metal trim	+6,675
PM02	Open Base, PM02 metal trim	+6,675
PM03	Open Base, PM03 metal trim	+9,006

## Step 3. Edge Selection/Finish

N__	No Edge	+0
AU__	Spinneybeck Leather: Acqua	+\$3,603
MC__	Powder Coat	+0
PM01	Polished Chrome	+2,117
PM02	Satin Nickel	+2,117
PM03	Oil Rubbed Bronze	+2,117

## Step 4A. Top Finish

T1 __	Veneer Tier 1	+0
T2 __	Veneer Tier 2	+1,775
GC __	Clear Glass, back painted	+7,640
GE __	Etched matte Glass, back painted	+9,184
CS01	Corian Glacier White	+11,190
QS __	Caesarstone	+28,941

## Step 4B. Lower Layer Finish (Layer top only)

SL __	Satin Lacquer	+765
T ___	Veneer Tier 1, 2, 3	+1,06
HG __	High Gloss Polyester	+1,170

## Step 5. Base Finish

T1 __	Veneer Tier 1	+1,320
T2 __	Veneer Tier 2	+3,159
SL __	Satin Lacquer	+0
HG __	High Gloss Polyester	+6,093

## Step 6. Power & Connectivity Access: Optional

DRHW	Drawer, Hardwired (layered edge only), Qty 6	+11,292
DRPI	Drawer, Plug In (layered edge only), Qty 6	+9,666
DRLK	Drawer, Linkable (layered edge only), Qty 6	+9,666
TMHW	Tabletop Metal lid, Hardwired, Qty 3	+12,390
TMPI	Tabletop Metal lid, Plug In, Qty 3	+10,557
TMLK	Tabletop Metal lid, Linkable, Qty 3	+9,006
TWHW	Tabletop Wood lid, Hardwired (veneer tops only), Qty 3	+11,355
TWPI	Tabletop Wood lid, Plug In (veneer tops only), Qty 3	+9,519
TWLK	Tabletop Wood lid, Linkable (veneer tops only), Qty 3	+7,974
UMHW	Undermount, Hardwired, Qty 6	+6,744
UMPI	Undermount, Plug In, Qty 6	+4,902
UMLK	Undermount, Linkable, Qty 6	+4,902
SOHW	Slide Out Power Box, Hardwired, Qty 6	+11,748
SOPI	Slide Out Power Box, Plug In, Qty 6	+9,966
SOLK	Slide Out Power Box, Linkable, Qty 6	+9,966

## Step 7. Microphone and/or Grommet Accommodations: Optional

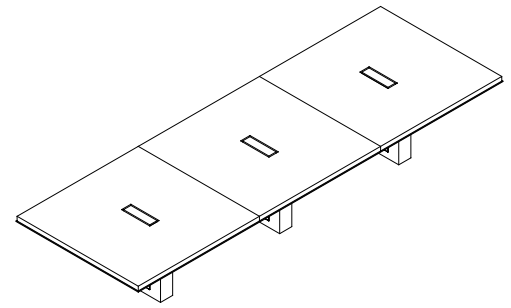
MA __	Microphone hole (factory cut)	Qty __ x 354 each
GM __	2" Grommet hole (factory cut), liner, lid, in matching metal finish	Qty __ x 466 each

Please consult [page 7](#) for the palette of DatesWeiser finishes. Natural stone, non-standard glass and veneer, and other technology options are available. Please email [customerservice@datesweiser.com](mailto:customerservice@datesweiser.com) for a custom quote. Consult technical information on [page 294](#) for construction details and technical information.

# Highline Fifty Rectangular Conference Table

60"x180"/ 16 Person

03R60X180



Starting Price: **\$31,309**

60x180 table, slab veneer Tier 1 top, open painted base with no metal trim, powder coat finish

Pattern Number: 03R60X180

## Step 1. Top Material

S	Slab (veneer only)	
V	Veneer layered	
G	Glass layered	
C	Corian layered	
Q	Caesarstone layered	

## Step 2. Base Options

ON	Open Base, no metal trim	+ 0
MC __	Open Base, MC metal trim	+4,930
PM01	Open Base, PM01 metal trim	+6,675
PM02	Open Base, PM02 metal trim	+6,675
PM03	Open Base, PM03 metal trim	+9,006

## Step 3. Edge Selection/Finish

N__	No Edge	+0
AU__	Spinneybeck Leather: Acqua	+\$3,793
MC__	Powder Coat	+0
PM01	Polished Chrome	+2,117
PM02	Satin Nickel	+2,117
PM03	Oil Rubbed Bronze	+2,117

## Step 4A. Top Finish

T1 __	Veneer Tier 1	+0
T2 __	Veneer Tier 2	+1,901
GC __	Clear Glass, back painted	+8,186
GE __	Etched matte Glass, back painted	+9,839
CS01	Corian Glacier White	+11,990
QS __	Caesarstone*	+31,007

## Step 4B. Lower Layer Finish (Layer top only)

SL __	Satin Lacquer	+784
T ___	Veneer Tier 1, 2, 3	+1,211
HG __	High Gloss Polyester	+1,153

## Step 5. Base Finish

T1 __	Veneer Tier 1	+1,386
T2 __	Veneer Tier 2	+3,318
SL __	Satin Lacquer	+0
HG __	High Gloss Polyester	+6,399

## Step 6. Power & Connectivity Access: Optional

DRHW	Drawer, Hardwired (layered edge only), Qty 8	+15,056
DRPI	Drawer, Plug In (layered edge only), Qty 8	+12,888
DRLK	Drawer, Linkable (layered edge only), Qty 8	+12,888
TMHW	Tabletop Metal lid, Hardwired, Qty 3	+12,390
TMPI	Tabletop Metal lid, Plug In, Qty 3	+10,557
TMLK	Tabletop Metal lid, Linkable, Qty 3	+9,006
TWHW	Tabletop Wood lid, Hardwired (veneer tops only), Qty 3	+11,355
TWPI	Tabletop Wood lid, Plug In (veneer tops only), Qty 3	+9,519
TWLK	Tabletop Wood lid, Linkable (veneer tops only), Qty 3	+7,974
UMHW	Undermount, Hardwired, Qty 8	+8,992
UMPI	Undermount, Plug In, Qty 8	+6,536
UMLK	Undermount, Linkable, Qty 8	+6,536
SOHW	Slide Out Power Box, Hardwired, Qty 8	+15,664
SOPI	Slide Out Power Box, Plug In, Qty 8	+13,288
SOLK	Slide Out Power Box, Linkable, Qty 8	+13,288

## Step 7. Microphone and/or Grommet Accommodations: Optional

MA __	Microphone hole (factory cut)	Qty __ x 354 each
GM __	2" Grommet hole (factory cut), liner, lid, in matching metal finish	Qty __ x 466 each

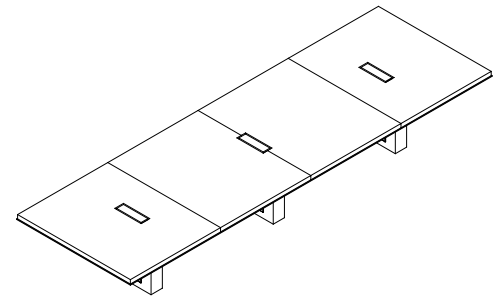
Please consult [page 7](#) for the palette of DatesWeiser finishes. Natural stone, non-standard glass and veneer, and other technology options are available. Please email [customerservice@datesweiser.com](mailto:customerservice@datesweiser.com) for a custom quote. Consult technical information on [page 294](#) for construction details and technical information.

\*Tables with a Caesarstone finish require a 4-section top.

# Highline Fifty Rectangular Conference Table

60"x192"/ 16 Person

03R60X192



Starting Price: **\$35,946**

60x192 table, slab veneer Tier 1 top, open painted base with no metal trim, powder coat finish

Pattern Number: 03R60X192

## Step 1. Top Material

S	Slab (veneer only)	
V	Veneer layered	
G	Glass layered	
C	Corian layered	
Q	Caesarstone layered	

## Step 2. Base Options

ON	Open Base, no metal trim	+ 0
MC __	Open Base, MC metal trim	+4,930
PM01	Open Base, PM01 metal trim	+6,318
PM02	Open Base, PM02 metal trim	+6,318
PM03	Open Base, PM03 metal trim	+7,896

## Step 3. Edge Selection/Finish

N__	No Edge	+0
AU__	Spinneybeck Leather: Acqua	+\$3,983
MC__	Powder Coat	+0
PM01	Polished Chrome	+2,117
PM02	Satin Nickel	+2,117
PM03	Oil Rubbed Bronze	+2,117

## Step 4A. Top Finish

T1 __	Veneer Tier 1	+0
T2 __	Veneer Tier 2	+2,028
GC__	Clear Glass, back painted	+8,732
GE__	Etched matte Glass, back painted	+10,496
CS01	Corian Glacier White	+12,789
QS__	Caesarstone	+33,075

## Step 4B. Lower Layer Finish (Layer top only)

SL __	Satin Lacquer	+844
T__	Veneer Tier 1, 2, 3	+1,197
HG __	High Gloss Polyester	+1,318

## Step 5. Base Finish

T1 __	Veneer Tier 1	+1,386
T2 __	Veneer Tier 2	+3,318
SL __	Satin Lacquer	+0
HG __	High Gloss Polyester	+6,399

## Step 6. Power & Connectivity Access: Optional

DRHW	Drawer, Hardwired (layered edge only), Qty 8	+15,056
DRPI	Drawer, Plug In (layered edge only), Qty 8	+12,888
DRLK	Drawer, Linkable (layered edge only), Qty 8	+12,888
TMHW	Tabletop Metal lid, Hardwired, Qty 3	+12,390
TMPI	Tabletop Metal lid, Plug In, Qty 3	+10,557
TMLK	Tabletop Metal lid, Linkable, Qty 3	+9,006
TWHW	Tabletop Wood lid, Hardwired (veneer tops only), Qty 3	+11,355
TWPI	Tabletop Wood lid, Plug In (veneer tops only), Qty 3	+9,519
TWLK	Tabletop Wood lid, Linkable (veneer tops only), Qty 3	+7,974
UMHW	Undermount, Hardwired, Qty 8	+8,992
UMPI	Undermount, Plug In, Qty 8	+6,536
UMLK	Undermount, Linkable, Qty 8	+6,536
SOHW	Slide Out Power Box, Hardwired, Qty 8	+15,664
SOPI	Slide Out Power Box, Plug In, Qty 8	+13,288
SOLK	Slide Out Power Box, Linkable, Qty 8	+13,288

## Step 7. Microphone and/or Grommet Accommodations: Optional

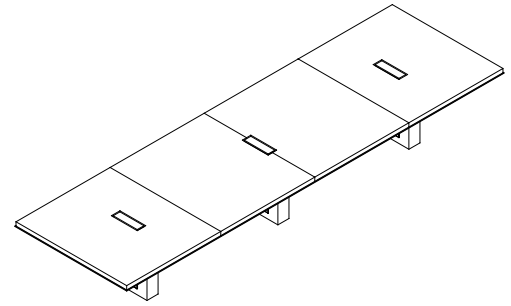
MA __	Microphone hole (factory cut)	Qty __ x 354 each
GM __	2" Grommet hole (factory cut), liner, lid, in matching metal finish	Qty __ x 466 each

Please consult [page 7](#) for the palette of DatesWeiser finishes. Natural stone, non-standard glass and veneer, and other technology options are available. Please email [customerservice@datesweiser.com](mailto:customerservice@datesweiser.com) for a custom quote. Consult technical information on [page 294](#) for construction details and technical information.

# Highline Fifty Rectangular Conference Table

60"x204"/ 16 Person

03R60X204



Starting Price: **\$37,006**

60x204 table, slab veneer Tier 1 top, open painted base with no metal trim, powder coat finish

Pattern Number: 03R60X204

## Step 1. Top Material

S	Slab (veneer only)
V	Veneer layered
G	Glass layered
C	Corian layered
Q	Caesarstone layered

## Step 2. Base Options

ON	Open Base, no metal trim	+ 0
MC __	Open Base, MC metal trim	+4,930
PM01	Open Base, PM01 metal trim	+6,318
PM02	Open Base, PM02 metal trim	+6,318
PM03	Open Base, PM03 metal trim	+7,896

## Step 3. Edge Selection/Finish

N__	No Edge	+0
AU__	Spinneybeck Leather: Acqua	+\$4,172
MC__	Powder Coat	+0
PM01	Polished Chrome	+2,117
PM02	Satin Nickel	+2,117
PM03	Oil Rubbed Bronze	+2,117

## Step 4A. Top Finish

T1 __	Veneer Tier 1	+0
T2 __	Veneer Tier 2	+2,156
GC __	Clear Glass, back painted	+9,278
GE __	Etched matte Glass, back painted	+11,152
CS01	Corian Glacier White	+13,589
QS __	Caesarstone	+35,143

## Step 4B. Lower Layer Finish (Layer top only)

SL __	Satin Lacquer	+894
T ___	Veneer Tier 1, 2, 3	+1,263
HG __	High Gloss Polyester	+1,390

## Step 5. Base Finish

T1 __	Veneer Tier 1	+1,386
T2 __	Veneer Tier 2	+3,318
SL __	Satin Lacquer	+0
HG __	High Gloss Polyester	+6,399

## Step 6. Power & Connectivity Access: Optional

DRHW	Drawer, Hardwired (layered edge only), Qty 8	+15,056
DRPI	Drawer, Plug In (layered edge only), Qty 8	+12,888
DRLK	Drawer, Linkable (layered edge only), Qty 8	+12,888
TMHW	Tabletop Metal lid, Hardwired, Qty 3	+12,390
TMPI	Tabletop Metal lid, Plug In, Qty 3	+10,557
TMLK	Tabletop Metal lid, Linkable, Qty 3	+9,006
TWHW	Tabletop Wood lid, Hardwired (veneer tops only), Qty 3	+11,355
TWPI	Tabletop Wood lid, Plug In (veneer tops only), Qty 3	+9,519
TWLK	Tabletop Wood lid, Linkable (veneer tops only), Qty 3	+7,974
UMHW	Undermount, Hardwired, Qty 8	+8,992
UMPI	Undermount, Plug In, Qty 8	+6,536
UMLK	Undermount, Linkable, Qty 8	+6,536
SOHW	Slide Out Power Box, Hardwired, Qty 8	+15,664
SOPI	Slide Out Power Box, Plug In, Qty 8	+13,288
SOLK	Slide Out Power Box, Linkable, Qty 8	+13,288

## Step 7. Microphone and/or Grommet Accommodations: Optional

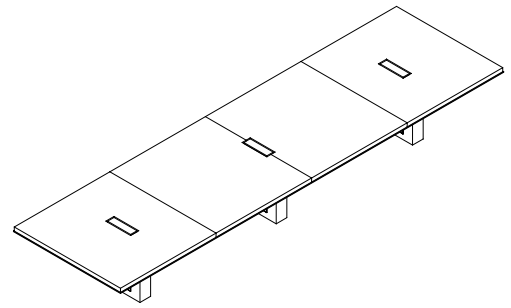
MA __	Microphone hole (factory cut)	Qty __ x 354 each
GM __	2" Grommet hole (factory cut), liner, lid, in matching metal finish	Qty __ x 466 each

Please consult [page 7](#) for the palette of DatesWeiser finishes. Natural stone, non-standard glass and veneer, and other technology options are available. Please email [customerservice@datesweiser.com](mailto:customerservice@datesweiser.com) for a custom quote. Consult technical information on [page 294](#) for construction details and technical information.

# Highline Fifty Rectangular Conference Table

60"x216"/ 18 Person

03R60X216



**Starting Price: \$38,111**

60x216 table; slab veneer Tier 1 top; open painted base with no metal trim; powder coat finish

Pattern Number: 03R60X216

## Step 1. Top Material

S	Slab (veneer only)
V	Veneer layered
G	Glass layered
C	Corian layered
Q	Caesarstone layered

## Step 2. Base Options

ON	Open Base, no metal trim	+ 0
MC __	Open Base, MC metal trim	+4,930
PM01	Open Base, PM01 metal trim	+6,318
PM02	Open Base, PM02 metal trim	+6,318
PM03	Open Base, PM03 metal trim	+7,896

## Step 3. Edge Selection/Finish

N__	No Edge	+0
AU__	Spinneybeck Leather: Acqua	+\$4,362
MC__	Powder Coat	+0
PM01	Polished Chrome	+2,117
PM02	Satin Nickel	+2,117
PM03	Oil Rubbed Bronze	+2,117

## Step 4A. Top Finish

T1 __	Veneer Tier 1	+0
T2 __	Veneer Tier 2	+2,283
GC __	Clear Glass, back painted	+9,824
GE __	Etched matte Glass, back painted	+11,808
CS01	Corian Glacier White	+14,388
QS __	Caesarstone	+37,210

## Step 4B. Lower Layer Finish (Layer top only)

SL __	Satin Lacquer	+936
T ___	Veneer Tier 1, 2, 3	+1,284
HG __	High Gloss Polyester	+1,425

## Step 5. Base Finish

T1 __	Veneer Tier 1	+1,386
T2 __	Veneer Tier 2	+3,318
SL __	Satin Lacquer	+0
HG __	High Gloss Polyester	+6,399

## Step 6. Power & Connectivity Access: Optional

DRHW	Drawer, Hardwired (layered edge only), Qty 8	+15,056
DRPI	Drawer, Plug In (layered edge only), Qty 8	+12,888
DRLK	Drawer, Linkable (layered edge only), Qty 8	+12,888
TMHW	Tabletop Metal lid, Hardwired, Qty 3	+12,390
TMPI	Tabletop Metal lid, Plug In, Qty 3	+10,557
TMLK	Tabletop Metal lid, Linkable, Qty 3	+9,006
TWHW	Tabletop Wood lid, Hardwired (veneer tops only), Qty 3	+11,355
TWPI	Tabletop Wood lid, Plug In (veneer tops only), Qty 3	+9,519
TWLK	Tabletop Wood lid, Linkable (veneer tops only), Qty 3	+7,974
UMHW	Undermount, Hardwired, Qty 8	+8,992
UMPI	Undermount, Plug In, Qty 8	+6,536
UMLK	Undermount, Linkable, Qty 8	+6,536
SOHW	Slide Out Power Box, Hardwired, Qty 8	+15,664
SOPI	Slide Out Power Box, Plug In, Qty 8	+13,288
SOLK	Slide Out Power Box, Linkable, Qty 8	+13,288

## Step 7. Microphone and/or Grommet Accommodations: Optional

MA __	Microphone hole (factory cut)	Qty __ x 354 each
GM __	2" Grommet hole (factory cut), liner, lid, in matching metal finish	Qty __ x 466 each

Please consult [page 7](#) for the palette of DatesWeiser finishes. Natural stone, non-standard glass and veneer, and other technology options are available. Please email [customerservice@datesweiser.com](mailto:customerservice@datesweiser.com) for a custom quote. Consult technical information on [page 294](#) for construction details and technical information.

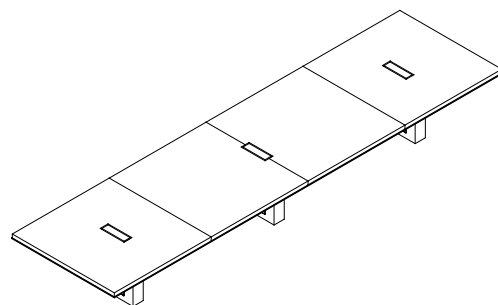
\*Tables with a Caesarstone finish require a 5-section top.



# Highline Fifty Rectangular Conference Table

60"x228"/ 18 Person

03R60X228



Starting Price: **\$39,172**

60x228 table, slab veneer Tier 1 top, open painted base with no metal trim, powder coat finish

Pattern Number: 03R60X228

## Step 1. Top Material

S	Slab (veneer only)	
V	Veneer layered	
G	Glass layered	
C	Corian layered	
Q	Caesarstone layered	

## Step 2. Base Options

ON	Open Base, no metal trim	+ 0
MC __	Open Base, MC metal trim	+4,930
PM01	Open Base, PM01 metal trim	+6,318
PM02	Open Base, PM02 metal trim	+6,318
PM03	Open Base, PM03 metal trim	+7,896

## Step 3. Edge Selection/Finish

N__	No Edge	+0
AU__	Spinneybeck Leather: Acqua	+\$4,551
MC__	Powder Coat	+0
PM01	Polished Chrome	+2,117
PM02	Satin Nickel	+2,117
PM03	Oil Rubbed Bronze	+2,117

## Step 4A. Top Finish

T1 __	Veneer Tier 1	+0
T2 __	Veneer Tier 2	+2,409
GC __	Clear Glass, back painted	+10,369
GE __	Etched matte Glass, back painted	+12,464
CS01	Corian Glacier White	+15,187
QS __	Caesarstone*	+39,277

## Step 4B. Lower Layer Finish (Layer top only)

SL __	Satin Lacquer	+985
T ___	Veneer Tier 1, 2, 3	+1,398
HG __	High Gloss Polyester	+1,538

## Step 5. Base Finish

T1 __	Veneer Tier 1	+1,386
T2 __	Veneer Tier 2	+3,318
SL __	Satin Lacquer	+0
HG __	High Gloss Polyester	+6,399

## Step 6. Power & Connectivity Access: Optional

DRHW	Drawer, Hardwired (layered edge only), Qty 8	+15,056
DRPI	Drawer, Plug In (layered edge only), Qty 8	+12,888
DRLK	Drawer, Linkable (layered edge only), Qty 8	+12,888
TMHW	Tabletop Metal lid, Hardwired, Qty 3	+12,390
TMPI	Tabletop Metal lid, Plug In, Qty 3	+10,557
TMLK	Tabletop Metal lid, Linkable, Qty 3	+9,006
TWHW	Tabletop Wood lid, Hardwired (veneer tops only), Qty 3	+11,355
TWPI	Tabletop Wood lid, Plug In (veneer tops only), Qty 3	+9,519
TWLK	Tabletop Wood lid, Linkable (veneer tops only), Qty 3	+7,974
UMHW	Undermount, Hardwired, Qty 8	+8,992
UMPI	Undermount, Plug In, Qty 8	+6,536
UMLK	Undermount, Linkable, Qty 8	+6,536
SOHW	Slide Out Power Box, Hardwired, Qty 8	+15,664
SOPI	Slide Out Power Box, Plug In, Qty 8	+13,288
SOLK	Slide Out Power Box, Linkable, Qty 8	+13,288

## Step 7. Microphone and/or Grommet Accommodations: Optional

MA __	Microphone hole (factory cut)	Qty __ x 354 each
GM __	2" Grommet hole (factory cut), liner, lid, in matching metal finish	Qty __ x 466 each

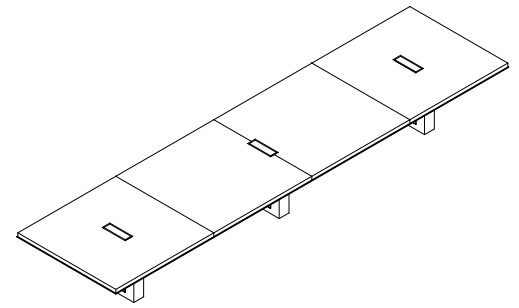
Please consult [page 7](#) for the palette of DatesWeiser finishes. Natural stone, non-standard glass and veneer, and other technology options are available. Please email [customerservice@datesweiser.com](mailto:customerservice@datesweiser.com) for a custom quote. Consult technical information on [page 294](#) for construction details and technical information.

\*Tables with a Caesarstone finish require a 5-section top.

# Highline Fifty Rectangular Conference Table

60"x240"/ 20 Person

03R60X240



Starting Price: **\$40,238**

60x240 table, slab veneer Tier 1 top, open painted base with no metal trim, powder coat finish

Pattern Number: 03R60X240

## Step 1. Top Material

S	Slab (veneer only)	
V	Veneer layered	
G	Glass layered	
C	Corian layered	
Q	Caesarstone layered	

## Step 2. Base Options

ON	Open Base, no metal trim	+ 0
MC __	Open Base, MC metal trim	+4,930
PM01	Open Base, PM01 metal trim	+6,318
PM02	Open Base, PM02 metal trim	+6,318
PM03	Open Base, PM03 metal trim	+7,896

## Step 3. Edge Selection/Finish

N__	No Edge	+0
AU__	Spinneybeck Leather: Acqua	+\$4,741
MC__	Powder Coat	+0
PM01	Polished Chrome	+2,117
PM02	Satin Nickel	+2,117
PM03	Oil Rubbed Bronze	+2,117

## Step 4A. Top Finish

T1 __	Veneer Tier 1	+0
T2 __	Veneer Tier 2	+2,536
GC __	Clear Glass, back painted	+10,915
GE __	Etched matte Glass, back painted	+13,120
CS01	Corian Glacier White	+15,986
QS __	Caesarstone*	+41,344

## Step 4B. Lower Layer Finish (Layer top only)

SL __	Satin Lacquer	+1,033
T ___	Veneer Tier 1, 2, 3	+1,464
HG __	High Gloss Polyester	+1,612

## Step 5. Base Finish

T1 __	Veneer Tier 1	+1,386
T2 __	Veneer Tier 2	+3,318
SL __	Satin Lacquer	+0
HG __	High Gloss Polyester	+6,399

## Step 6. Power & Connectivity Access: Optional

DRHW	Drawer, Hardwired (layered edge only), Qty 10	+18,820
DRPI	Drawer, Plug In (layered edge only), Qty 10	+16,110
DRLK	Drawer, Linkable (layered edge only), Qty 10	+16,110
TMHW	Tabletop Metal lid, Hardwired, Qty 3	+12,390
TMPI	Tabletop Metal lid, Plug In, Qty 3	+10,557
TMLK	Tabletop Metal lid, Linkable, Qty 3	+9,006
TWHW	Tabletop Wood lid, Hardwired (veneer tops only), Qty 3	+11,355
TWPI	Tabletop Wood lid, Plug In (veneer tops only), Qty 3	+9,519
TWLK	Tabletop Wood lid, Linkable (veneer tops only), Qty 3	+7,974
UMHW	Undermount, Hardwired, Qty 10	+11,240
UMPI	Undermount, Plug In, Qty 10	+8,170
UMLK	Undermount, Linkable, Qty 10	+8,170
SOHW	Slide Out Power Box, Hardwired, Qty 10	+19,580
SOPI	Slide Out Power Box, Plug In, Qty 10	+16,610
SOLK	Slide Out Power Box, Linkable, Qty 10	+16,610

## Step 7. Microphone and/or Grommet Accommodations: Optional

MA __	Microphone hole (factory cut)	Qty __ x 354 each
GM __	2" Grommet hole (factory cut), liner, lid, in matching metal finish	Qty __ x 466 each

Please consult [page 7](#) for the palette of DatesWeiser finishes. Natural stone, non-standard glass and veneer, and other technology options are available. Please email [customerservice@datesweiser.com](mailto:customerservice@datesweiser.com) for a custom quote. Consult technical information on [page 294](#) for construction details and technical information.

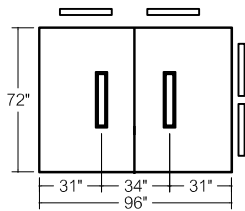
\*Tables with a Caesarstone finish require a 5-section top.



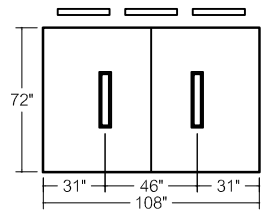


# Highline Fifty Conference Tables Index

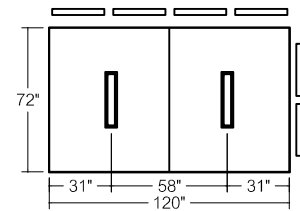
72" width



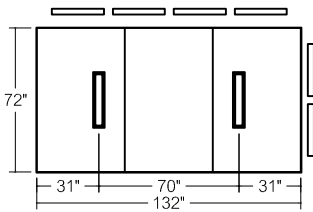
03R72X96  
8 Person Table



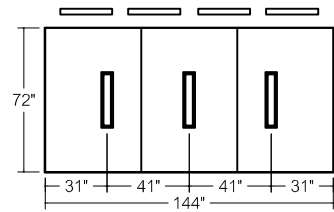
03R72X108  
10 Person Table



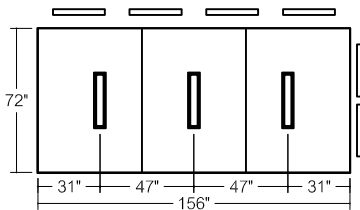
03R72X120  
12 Person Table



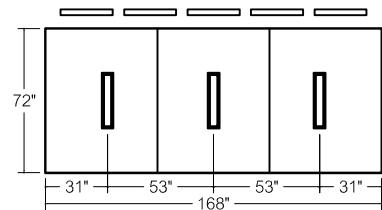
03R72X132  
12 Person Table



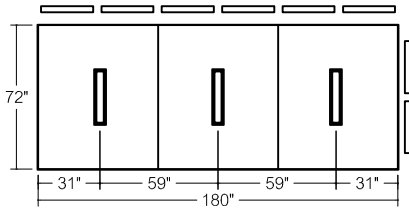
03R72X144  
12 Person Table



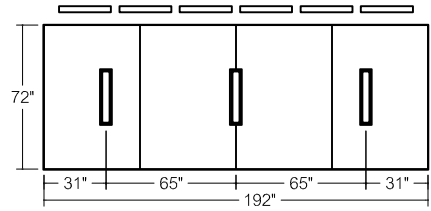
03R72X156  
12 Person Table



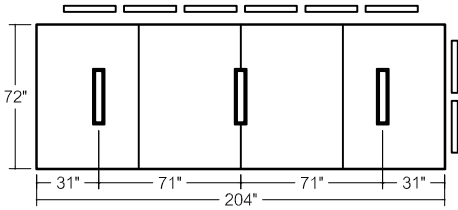
03R72X168  
14 Person Table



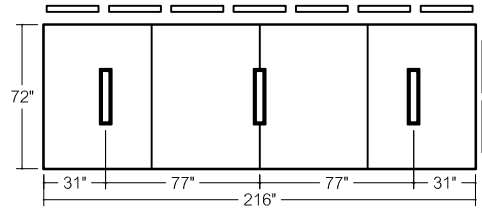
03R72X180  
16 Person Table



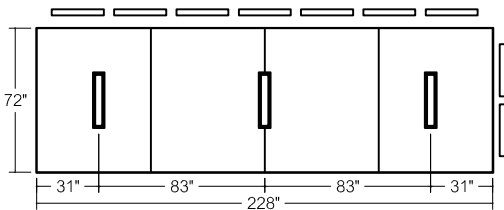
03R72X192  
16 Person Table



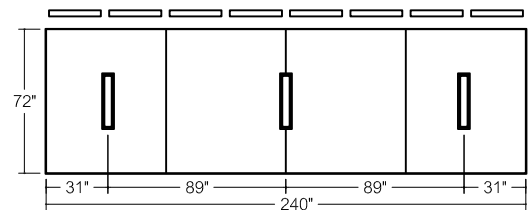
03R72X204  
16 Person Table



03R72X216  
18 Person Table



03R72X228  
18 Person Table

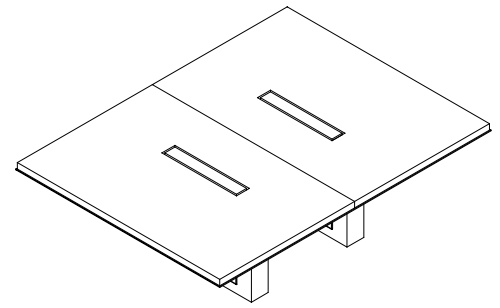


03R72X240  
20 Person Table

# Highline Fifty Rectangular Conference Table

72"x96" / 8 Person

03R72X96



Starting Price: **\$20,719**

72x96 table, slab veneer Tier 1 top, open painted base with no metal trim, powder coat finish

Base Pattern Number: 03R72X96

## Step 1. Top Material

S	Slab (veneer only)	
V	Veneer layered	
G	Glass layered	
C	Corian layered	
Q	Caesarstone layered	

## Step 2. Base Options

ON	Open Base, no metal trim	+ 0
MC __	Open Base, MC metal trim	+3,287
PM01	Open Base, PM01 metal trim	+4,423
PM02	Open Base, PM02 metal trim	+4,423
PM03	Open Base, PM03 metal trim	+5,527

## Step 3. Edge Selection/Finish

N__	No Edge	+0
AU__	Spinneybeck Leather: Acqua	+\$2,554
MC__	Powder Coat	+0
PM01	Polished Chrome	+1,351
PM02	Satin Nickel	+1,351
PM03	Oil Rubbed Bronze	+1,351

## Step 4A. Top Finish

T1 __	Veneer Tier 1	+0
T2 __	Veneer Tier 2	+1,217
GC __	Clear Glass, back painted	+5,238
GE __	Etched matte Glass, back painted	+6,296
CS01	Corian Glacier White	+7,673
QS __	Caesarstone	+19,845

## Step 4B. Lower Layer Finish (Layer top only)

SL __	Satin Lacquer	+502
T ___	Veneer Tier 1, 2, 3	+713
HG __	High Gloss Polyester	+786

## Step 5. Base Finish

T1 __	Veneer Tier 1	+924
T2 __	Veneer Tier 2	+2,212
SL __	Satin Lacquer	+0
HG __	High Gloss Polyester	+4,266

## Step 6. Power & Connectivity Access: Optional

DRHW	Drawer, Hardwired (layered edge only), Qty 4	+7,528
DRPI	Drawer, Plug In (layered edge only), Qty 4	+6,444
DRLK	Drawer, Linkable (layered edge only), Qty 4	+6,444
TMHW	Tabletop Metal lid, Hardwired, Qty 2	+10,490
TMPI	Tabletop Metal lid, Plug In, Qty 2	+9,264
TMLK	Tabletop Metal lid, Linkable, Qty 2	+9,264
TWHW	Tabletop Wood lid, Hardwired (veneer tops only), Qty 2	+9,318
TWPI	Tabletop Wood lid, Plug In (veneer tops only), Qty 2	+8,050
TWLK	Tabletop Wood lid, Linkable (veneer tops only), Qty 2	+8,050
UMHW	Undermount, Hardwired, Qty 4	+4,496
UMPI	Undermount, Plug In, Qty 4	+3,268
UMLK	Undermount, Linkable, Qty 4	+3,268
SOHW	Slide Out Power Box, Hardwired, Qty 4	+7,832
SOPI	Slide Out Power Box, Plug In, Qty 4	+6,644
SOLK	Slide Out Power Box, Linkable, Qty 4	+6,644

## Step 7. Microphone and/or Grommet Accommodations: Optional

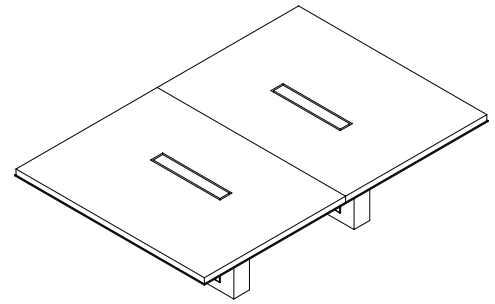
MA __	Microphone hole (factory cut)	Qty __ x 354 each
GM __	2" Grommet hole (factory cut), liner, lid, in matching metal finish	Qty __ x 466 each

Please consult [page 7](#) for the palette of DatesWeiser finishes. Natural stone, non-standard glass and veneer, and other technology options are available. Please email [customerservice@datesweiser.com](mailto:customerservice@datesweiser.com) for a custom quote. Consult technical information on [page 294](#) for construction details and technical information.

# Highline Fifty Rectangular Conference Table

72"x108"/ 10 Person

03R72X108



Starting Price: **\$21,991**

72x108 table, slab veneer Tier 1 top, open painted base with no metal trim, powder coat finish

Base Pattern Number: 03R72X108

## Step 1. Top Material

S	Slab (veneer only)
V	Veneer layered
G	Glass layered
C	Corian layered
Q	Caesarstone layered

## Step 2. Base Options

ON	Open Base, no metal trim	+ 0
MC __	Open Base, MC metal trim	+3,287
PM01	Open Base, PM01 metal trim	+4,423
PM02	Open Base, PM02 metal trim	+4,423
PM03	Open Base, PM03 metal trim	+5,527

## Step 3. Edge Selection/Finish

N__	No Edge	+0
AU__	Spinneybeck Leather: Acqua	+\$2,844
MC__	Powder Coat	+0
PM01	Polished Chrome	+1,351
PM02	Satin Nickel	+1,351
PM03	Oil Rubbed Bronze	+1,351

## Step 4A. Top Finish

T1 __	Veneer Tier 1	+0
T2 __	Veneer Tier 2	+1,369
GC __	Clear Glass, back painted	+5,895
GE __	Etched matte Glass, back painted	+7,086
CS01	Corian Glacier White	+8,633
QS __	Caesarstone	+22,326

## Step 4B. Lower Layer Finish (Layer top only)

SL __	Satin Lacquer	+571
T ___	Veneer Tier 1, 2, 3	+844
HG __	High Gloss Polyester	+930

## Step 5. Base Finish

T1 __	Veneer Tier 1	+924
T2 __	Veneer Tier 2	+2,212
SL __	Satin Lacquer	+0
HG __	High Gloss Polyester	+4,266

## Step 6. Power & Connectivity Access: Optional

DRHW	Drawer, Hardwired (layered edge only), Qty 4	+7,528
DRPI	Drawer, Plug In (layered edge only), Qty 4	+6,444
DRLK	Drawer, Linkable (layered edge only), Qty 4	+6,444
TMHW	Tabletop Metal lid, Hardwired, Qty 2	+10,490
TMPI	Tabletop Metal lid, Plug In, Qty 2	+9,264
TMLK	Tabletop Metal lid, Linkable, Qty 2	+9,264
TWHW	Tabletop Wood lid, Hardwired (veneer tops only), Qty 2	+9,318
TWPI	Tabletop Wood lid, Plug In (veneer tops only), Qty 2	+8,050
TWLK	Tabletop Wood lid, Linkable (veneer tops only), Qty 2	+8,050
UMHW	Undermount, Hardwired, Qty 4	+4,496
UMPI	Undermount, Plug In, Qty 4	+3,268
UMLK	Undermount, Linkable, Qty 4	+3,268
SOHW	Slide Out Power Box, Hardwired, Qty 4	+7,832
SOPI	Slide Out Power Box, Plug In, Qty 4	+6,644
SOLK	Slide Out Power Box, Linkable, Qty 4	+6,644

## Step 7. Microphone and/or Grommet Accommodations: Optional

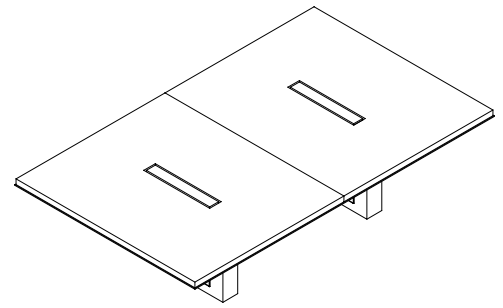
MA __	Microphone hole (factory cut)	Qty __ x 354 each
GM __	2" Grommet hole (factory cut), liner, lid, in matching metal finish	Qty __ x 466 each

Please consult [page 7](#) for the palette of DatesWeiser finishes. Natural stone, non-standard glass and veneer, and other technology options are available. Please email [customerservice@datesweiser.com](mailto:customerservice@datesweiser.com) for a custom quote. Consult technical information on [page 294](#) for construction details and technical information.

# Highline Fifty Rectangular Conference Table

72"x120"/ 12 Person

03R72X120



Starting Price: **\$23,380**

72x120 table, slab veneer Tier 1 top, open painted base with no metal trim, powder coat finish

Base Pattern Number: 03R72X120

## Step 1. Top Material

S	Slab (veneer only)
V	Veneer layered
G	Glass layered
C	Corian layered
Q	Caesarstone layered

## Step 2. Base Options

ON	Open Base, no metal trim	+ 0
MC __	Open Base, MC metal trim	+3,287
PM01	Open Base, PM01 metal trim	+4,423
PM02	Open Base, PM02 metal trim	+4,423
PM03	Open Base, PM03 metal trim	+5,527

## Step 3. Edge Selection/Finish

N__	No Edge	+0
AU__	Spinneybeck Leather: Acqua	+\$3,035
MC__	Powder Coat	+0
PM01	Polished Chrome	+1,351
PM02	Satin Nickel	+1,351
PM03	Oil Rubbed Bronze	+1,351

## Step 4A. Top Finish

T1 __	Veneer Tier 1	+0
T2 __	Veneer Tier 2	+1,522
GC __	Clear Glass, back painted	+6,549
GE __	Etched matte Glass, back painted	+7,872
CS01	Corian Glacier White	+9,592
QS __	Caesarstone	+24,807

## Step 4B. Lower Layer Finish (Layer top only)

SL __	Satin Lacquer	+626
T ___	Veneer Tier 1, 2, 3	+923
HG __	High Gloss Polyester	+1,016

## Step 5. Base Finish

T1 __	Veneer Tier 1	+924
T2 __	Veneer Tier 2	+2,212
SL __	Satin Lacquer	+0
HG __	High Gloss Polyester	+4,266

## Step 6. Power & Connectivity Access: Optional

DRHW	Drawer, Hardwired (layered edge only), Qty 6	+11,292
DRPI	Drawer, Plug In (layered edge only), Qty 6	+9,666
DRLK	Drawer, Linkable (layered edge only), Qty 6	+9,666
TMHW	Tabletop Metal lid, Hardwired, Qty 2	+10,490
TMPI	Tabletop Metal lid, Plug In, Qty 2	+9,264
TMLK	Tabletop Metal lid, Linkable, Qty 2	+9,264
TWHW	Tabletop Wood lid, Hardwired (veneer tops only), Qty 2	+9,318
TWPI	Tabletop Wood lid, Plug In (veneer tops only), Qty 2	+8,050
TWLK	Tabletop Wood lid, Linkable (veneer tops only), Qty 2	+8,050
UMHW	Undermount, Hardwired, Qty 6	+6,744
UMPI	Undermount, Plug In, Qty 6	+4,902
UMLK	Undermount, Linkable, Qty 6	+4,902
SOHW	Slide Out Power Box, Hardwired, Qty 6	+11,748
SOPI	Slide Out Power Box, Plug In, Qty 6	+9,966
SOLK	Slide Out Power Box, Linkable, Qty 6	+9,966

## Step 7. Microphone and/or Grommet Accommodations: Optional

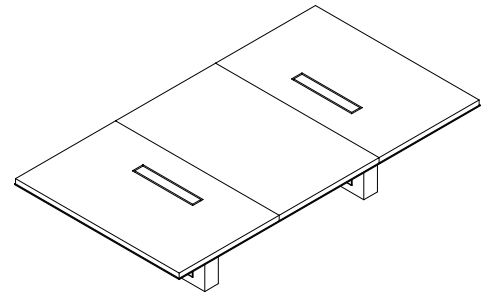
MA __	Microphone hole (factory cut)	Qty __ x 354 each
GM __	2" Grommet hole (factory cut), liner, lid, in matching metal finish	Qty __ x 466 each

Please consult [page 7](#) for the palette of DatesWeiser finishes. Natural stone, non-standard glass and veneer, and other technology options are available. Please email [customerservice@datesweiser.com](mailto:customerservice@datesweiser.com) for a custom quote. Consult technical information

# Highline Fifty Rectangular Conference Table

72"x132"/ 12 Person

03R72X132



Starting Price: **\$28,772**

72x132 table, slab veneer Tier 1 top, open painted base with no metal trim, powder coat finish

Base Pattern Number: 03R72X132

## Step 1. Top Material

S	Slab (veneer only)	
V	Veneer layered	
G	Glass layered	
C	Corian layered	
Q	Caesarstone layered	

## Step 2. Base Options

ON	Open Base, no metal trim	+ 0
MC __	Open Base, MC metal trim	+3,287
PM01	Open Base, PM01 metal trim	+4,423
PM02	Open Base, PM02 metal trim	+4,423
PM03	Open Base, PM03 metal trim	+5,527

## Step 3. Edge Selection/Finish

N__	No Edge	+0
AU__	Spinneybeck Leather: Acqua	+\$3,113
MC__	Powder Coat	+0
PM01	Polished Chrome	+1,351
PM02	Satin Nickel	+1,351
PM03	Oil Rubbed Bronze	+1,351

## Step 4A. Top Finish

T1 __	Veneer Tier 1	+0
T2 __	Veneer Tier 2	+1,674
GC __	Clear Glass, back painted	+7,204
GE __	Etched matte Glass, back painted	+8,659
CS01	Corian Glacier White	+10,551
QS __	Caesarstone	+27,286

## Step 4B. Lower Layer Finish (Layer top only)

SL __	Satin Lacquer	+687
T ___	Veneer Tier 1, 2, 3	+953
HG __	High Gloss Polyester	+1,050

## Step 5. Base Finish

T1 __	Veneer Tier 1	+924
T2 __	Veneer Tier 2	+2,212
SL __	Satin Lacquer	+0
HG __	High Gloss Polyester	+4,266

## Step 6. Power & Connectivity Access: Optional

DRHW	Drawer, Hardwired (layered edge only), Qty 6	+11,292
DRPI	Drawer, Plug In (layered edge only), Qty 6	+9,666
DRLK	Drawer, Linkable (layered edge only), Qty 6	+9,666
TMHW	Tabletop Metal lid, Hardwired, Qty 2	+10,490
TMPI	Tabletop Metal lid, Plug In, Qty 2	+9,264
TMLK	Tabletop Metal lid, Linkable, Qty 2	+9,264
TWHW	Tabletop Wood lid, Hardwired (veneer tops only), Qty 2	+9,318
TWPI	Tabletop Wood lid, Plug In (veneer tops only), Qty 2	+8,050
TWLK	Tabletop Wood lid, Linkable (veneer tops only), Qty 2	+8,050
UMHW	Undermount, Hardwired, Qty 6	+6,744
UMPI	Undermount, Plug In, Qty 6	+4,902
UMLK	Undermount, Linkable, Qty 6	+4,902
SOHW	Slide Out Power Box, Hardwired, Qty 6	+11,748
SOPI	Slide Out Power Box, Plug In, Qty 6	+9,966
SOLK	Slide Out Power Box, Linkable, Qty 6	+9,966

## Step 7. Microphone and/or Grommet Accommodations: Optional

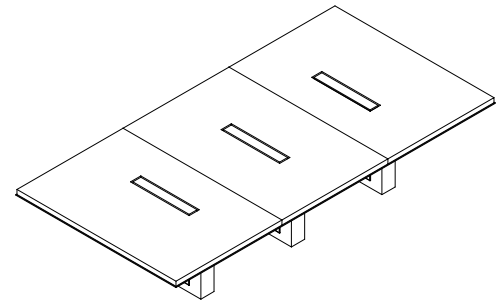
MA __	Microphone hole (factory cut)	Qty __ x 354 each
GM __	2" Grommet hole (factory cut), liner, lid, in matching metal finish	Qty __ x 466 each

Please consult [page 7](#) for the palette of DatesWeiser finishes. Natural stone, non-standard glass and veneer, and other technology options are available. Please email [customerservice@datesweiser.com](mailto:customerservice@datesweiser.com) for a custom quote. Consult technical information

# Highline Fifty Rectangular Conference Table

72"x144"/ 12 Person

03R72X144



Starting Price: **\$30,358**

72x144 table, slab veneer Tier 1 top, open painted base with no metal trim, powder coat finish

Base Pattern Number: 03R72X144

## Step 1. Top Material

S	Slab (veneer only)
V	Veneer layered
G	Glass layered
C	Corian layered
Q	Caesarstone layered

## Step 2. Base Options

ON	Open Base, no metal trim	+ 0
MC __	Open Base, MC metal trim	+4,930
PM01	Open Base, PM01 metal trim	+6,634
PM02	Open Base, PM02 metal trim	+6,634
PM03	Open Base, PM03 metal trim	+8,291

## Step 3. Edge Selection/Finish

N__	No Edge	+0
AU__	Spinneybeck Leather: Acqua	+\$3,414
MC__	Powder Coat	+0
PM01	Polished Chrome	+1,432
PM02	Satin Nickel	+ 1,432
PM03	Oil Rubbed Bronze	+ 1,432

## Step 4A. Top Finish

T1 __	Veneer Tier 1	+0
T2 __	Veneer Tier 2	+1,826
GC __	Clear Glass, back painted	+7,858
GE __	Etched matte Glass, back painted	+9,445
CS01	Corian Glacier White	+11,510
QS __	Caesarstone	+29,767

## Step 4B. Lower Layer Finish (Layer top only)

SL __	Satin Lacquer	+700
T ___	Veneer Tier 1, 2, 3	+970
HG __	High Gloss Polyester	+1,068

## Step 5. Base Finish

T1 __	Veneer Tier 1	+1,386
T2 __	Veneer Tier 2	+3,318
SL __	Satin Lacquer	+0
HG __	High Gloss Polyester	+6,399

## Step 6. Power & Connectivity Access: Optional

DRHW	Drawer, Hardwired (layered edge only), Qty 6	+11,292
DRPI	Drawer, Plug In (layered edge only), Qty 6	+9,666
DRLK	Drawer, Linkable (layered edge only), Qty 6	+9,666
TMHW	Tabletop Metal lid, Hardwired, Qty 3	+15,735
TMPI	Tabletop Metal lid, Plug In, Qty 3	+13,896
TMLK	Tabletop Metal lid, Linkable, Qty 3	+13,896
TWHW	Tabletop Wood lid, Hardwired (veneer tops only), Qty 3	+13,977
TWPI	Tabletop Wood lid, Plug In (veneer tops only), Qty 3	+12,075
TWLK	Tabletop Wood lid, Linkable (veneer tops only), Qty 3	+12,075
UMHW	Undermount, Hardwired, Qty 6	+6,744
UMPI	Undermount, Plug In, Qty 6	+4,902
UMLK	Undermount, Linkable, Qty 6	+4,902
SOHW	Slide Out Power Box, Hardwired, Qty 6	+11,748
SOPI	Slide Out Power Box, Plug In, Qty 6	+9,966
SOLK	Slide Out Power Box, Linkable, Qty 6	+9,966

## Step 7. Microphone and/or Grommet Accommodations: Optional

MA __	Microphone hole (factory cut)	Qty __ x 354 each
GM __	2" Grommet hole (factory cut), liner, lid, in matching metal finish	Qty __ x 466 each

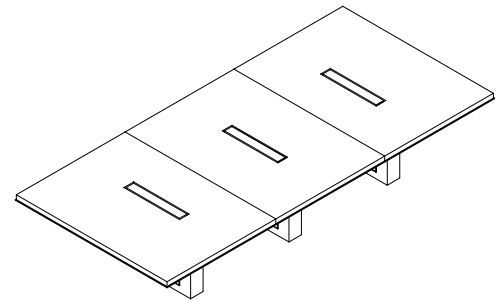
Please consult [page 7](#) for the palette of DatesWeiser finishes. Natural stone, non-standard glass and veneer, and other technology options are available. Please email [customerservice@datesweiser.com](mailto:customerservice@datesweiser.com) for a custom quote. Consult technical information on [page 294](#) for construction details and technical information.



# Highline Fifty Rectangular Conference Table

72"x156"/ 12 Person

03R72X156



Starting Price: **\$31,604**

72x156 table, slab veneer Tier 1 top, open painted base with no metal trim, powder coat finish

Base Pattern Number: 03R72X156

## Step 1. Top Material

S	Slab (veneer only)
V	Veneer layered
G	Glass layered
C	Corian layered
Q	Caesarstone layered

## Step 2. Base Options

ON	Open Base, no metal trim	+ 0
MC __	Open Base, MC metal trim	+4,930
PM01	Open Base, PM01 metal trim	+6,634
PM02	Open Base, PM02 metal trim	+6,634
PM03	Open Base, PM03 metal trim	+8,291

## Step 3. Edge Selection/Finish

N__	No Edge	+0
AU__	Spinneybeck Leather: Acqua	+\$3,603
MC__	Powder Coat	+0
PM01	Polished Chrome	+1,432
PM02	Satin Nickel	+ 1,432
PM03	Oil Rubbed Bronze	+ 1,432

## Step 4A. Top Finish

T1 __	Veneer Tier 1	+0
T2 __	Veneer Tier 2	+1,978
GC __	Clear Glass, back painted	+8,513
GE __	Etched matte Glass, back painted	+10,233
CS01	Corian Glacier White	+12,470
QS __	Caesarstone	+32,249

## Step 4B. Lower Layer Finish (Layer top only)

SL __	Satin Lacquer	+815
T ___	Veneer Tier 1, 2, 3	+1,111
HG __	High Gloss Polyester	+1,222

## Step 5. Base Finish

T1 __	Veneer Tier 1	+1,386
T2 __	Veneer Tier 2	+3,318
SL __	Satin Lacquer	+0
HG __	High Gloss Polyester	+6,399

## Step 6. Power & Connectivity Access: Optional

DRHW	Drawer, Hardwired (layered edge only), Qty 6	+11,292
DRPI	Drawer, Plug In (layered edge only), Qty 6	+9,666
DRLK	Drawer, Linkable (layered edge only), Qty 6	+9,666
TMHW	Tabletop Metal lid, Hardwired, Qty 3	+15,735
TMPI	Tabletop Metal lid, Plug In, Qty 3	+13,896
TMLK	Tabletop Metal lid, Linkable, Qty 3	+13,896
TWHW	Tabletop Wood lid, Hardwired (veneer tops only), Qty 3	+13,977
TWPI	Tabletop Wood lid, Plug In (veneer tops only), Qty 3	+12,075
TWLK	Tabletop Wood lid, Linkable (veneer tops only), Qty 3	+12,075
UMHW	Undermount, Hardwired, Qty 6	+6,744
UMPI	Undermount, Plug In, Qty 6	+4,902
UMLK	Undermount, Linkable, Qty 6	+4,902
SOHW	Slide Out Power Box, Hardwired, Qty 6	+11,748
SOPI	Slide Out Power Box, Plug In, Qty 6	+9,966
SOLK	Slide Out Power Box, Linkable, Qty 6	+9,966

## Step 7. Microphone and/or Grommet Accommodations: Optional

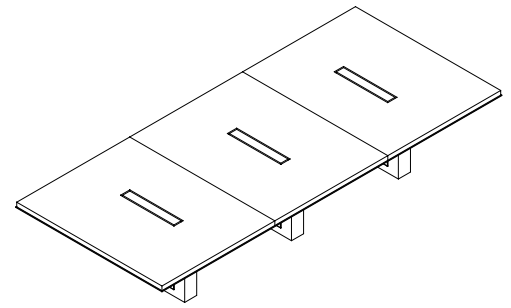
MA __	Microphone hole (factory cut)	Qty __ x 354 each
GM __	2" Grommet hole (factory cut), liner, lid, in matching metal finish	Qty __ x 466 each

Please consult [page 7](#) for the palette of DatesWeiser finishes. Natural stone, non-standard glass and veneer, and other technology options are available. Please email [customerservice@datesweiser.com](mailto:customerservice@datesweiser.com) for a custom quote. Consult technical information on [page 294](#) for construction details and technical information.

# Highline Fifty Rectangular Conference Table

72"x168"/ 14 Person

03R72X168



Starting Price: **\$33,272**

72x168 table, slab veneer Tier 1 top, open painted base with no metal trim, powder coat finish

Base Pattern Number: 03R72X168

## Step 1. Top Material

S	Slab (veneer only)
V	Veneer layered
G	Glass layered
C	Corian layered
Q	Caesarstone layered

## Step 2. Base Options

ON	Open Base, no metal trim	+ 0
MC __	Open Base, MC metal trim	+4,930
PM01	Open Base, PM01 metal trim	+6,634
PM02	Open Base, PM02 metal trim	+6,634
PM03	Open Base, PM03 metal trim	+8,291

## Step 3. Edge Selection/Finish

N__	No Edge	+0
AU__	Spinneybeck Leather: Acqua	+\$3,414
MC__	Powder Coat	+0
PM01	Polished Chrome	+1,432
PM02	Satin Nickel	+1,432
PM03	Oil Rubbed Bronze	+1,432

## Step 4A. Top Finish

T1 __	Veneer Tier 1	+0
T2 __	Veneer Tier 2	+2,131
GC __	Clear Glass, back painted	+9,169
GE __	Etched matte Glass, back painted	+11,021
CS01	Corian Glacier White	+13,429
QS __	Caesarstone	+34,729

## Step 4B. Lower Layer Finish (Layer top only)

SL __	Satin Lacquer	+863
T ___	Veneer Tier 1, 2, 3	+1,197
HG __	High Gloss Polyester	+1,318

## Step 5. Base Finish

T1 __	Veneer Tier 1	+1,386
T2 __	Veneer Tier 2	+3,318
SL __	Satin Lacquer	+0
HG __	High Gloss Polyester	+6,399

## Step 6. Power & Connectivity Access: Optional

DRHW	Drawer, Hardwired (layered edge only), Qty 6	+11,292
DRPI	Drawer, Plug In (layered edge only), Qty 6	+9,666
DRLK	Drawer, Linkable (layered edge only), Qty 6	+9,666
TMHW	Tabletop Metal lid, Hardwired, Qty 3	+15,735
TMPI	Tabletop Metal lid, Plug In, Qty 3	+13,896
TMLK	Tabletop Metal lid, Linkable, Qty 3	+13,896
TWHW	Tabletop Wood lid, Hardwired (veneer tops only), Qty 3	+13,977
TWPI	Tabletop Wood lid, Plug In (veneer tops only), Qty 3	+12,075
TWLK	Tabletop Wood lid, Linkable (veneer tops only), Qty 3	+12,075
UMHW	Undermount, Hardwired, Qty 6	+6,744
UMPI	Undermount, Plug In, Qty 6	+4,902
UMLK	Undermount, Linkable, Qty 6	+4,902
SOHW	Slide Out Power Box, Hardwired, Qty 6	+11,748
SOPI	Slide Out Power Box, Plug In, Qty 6	+9,966
SOLK	Slide Out Power Box, Linkable, Qty 6	+9,966

## Step 7. Microphone and/or Grommet Accommodations: Optional

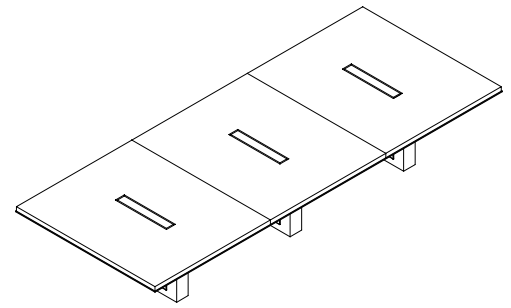
MA __	Microphone hole (factory cut)	Qty __ x 354 each
GM __	2" Grommet hole (factory cut), liner, lid, in matching metal finish	Qty __ x 466 each

Please consult [page 7](#) for the palette of DatesWeiser finishes. Natural stone, non-standard glass and veneer, and other technology options are available. Please email [customerservice@datesweiser.com](mailto:customerservice@datesweiser.com) for a custom quote. Consult technical information on [page 294](#) for construction details and technical information.

# Highline Fifty Rectangular Conference Table

72"x180"/ 16 Person

03R72X180



Starting Price: **\$34,557**

72x180 table, slab veneer Tier 1 top, open painted base with no metal trim, powder coat finish

Base Pattern Number: 03R72X180

## Step 1. Top Material

S	Slab (veneer only)	
V	Veneer layered	
G	Glass layered	
C	Corian layered	
Q	Caesarstone layered	

## Step 2. Base Options

ON	Open Base, no metal trim	+ 0
MC __	Open Base, MC metal trim	+4,930
PM01	Open Base, PM01 metal trim	+6,634
PM02	Open Base, PM02 metal trim	+6,634
PM03	Open Base, PM03 metal trim	+8,291

## Step 3. Edge Selection/Finish

N__	No Edge	+0
AU__	Spinneybeck Leather: Acqua	+\$3,983
MC__	Powder Coat	+0
PM01	Polished Chrome	+2,117
PM02	Satin Nickel	+2,117
PM03	Oil Rubbed Bronze	+2,117

## Step 4A. Top Finish

T1 __	Veneer Tier 1	+0
T2 __	Veneer Tier 2	+2,282
GC __	Clear Glass, back painted	+9,823
GE __	Etched matte Glass, back painted	+11,808
CS01	Corian Glacier White	+14,388
QS __	Caesarstone*	+37,209

## Step 4B. Lower Layer Finish (Layer top only)

SL __	Satin Lacquer	+886
T ___	Veneer Tier 1, 2, 3	+1,271
HG __	High Gloss Polyester	+1,398

## Step 5. Base Finish

T1 __	Veneer Tier 1	+1,386
T2 __	Veneer Tier 2	+3,318
SL __	Satin Lacquer	+0
HG __	High Gloss Polyester	+6,399

## Step 6. Power & Connectivity Access: Optional

DRHW	Drawer, Hardwired (layered edge only), Qty 8	+15,056
DRPI	Drawer, Plug In (layered edge only), Qty 8	+12,888
DRLK	Drawer, Linkable (layered edge only), Qty 8	+12,888
TMHW	Tabletop Metal lid, Hardwired, Qty 3	+15,735
TMPI	Tabletop Metal lid, Plug In, Qty 3	+13,896
TMLK	Tabletop Metal lid, Linkable, Qty 3	+13,896
TWHW	Tabletop Wood lid, Hardwired (veneer tops only), Qty 3	+13,977
TWPI	Tabletop Wood lid, Plug In (veneer tops only), Qty 3	+12,075
TWLK	Tabletop Wood lid, Linkable (veneer tops only), Qty 3	+12,075
UMHW	Undermount, Hardwired, Qty 8	+8,992
UMPI	Undermount, Plug In, Qty 8	+6,536
UMLK	Undermount, Linkable, Qty 8	+6,536
SOHW	Slide Out Power Box, Hardwired, Qty 8	+15,664
SOPI	Slide Out Power Box, Plug In, Qty 8	+13,288
SOLK	Slide Out Power Box, Linkable, Qty 8	+13,288

## Step 7. Microphone and/or Grommet Accommodations: Optional

MA __	Microphone hole (factory cut)	Qty __ x 354 each
GM __	2" Grommet hole (factory cut), liner, lid, in matching metal finish	Qty __ x 466 each

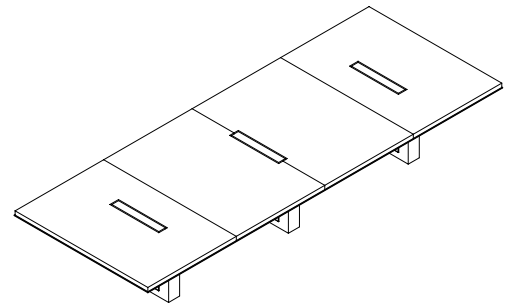
Please consult [page 7](#) for the palette of DatesWeiser finishes. Natural stone, non-standard glass and veneer, and other technology options are available. Please email [customerservice@datesweiser.com](mailto:customerservice@datesweiser.com) for a custom quote. Consult technical information on [page 294](#) for construction details and technical information.

\*Tables with a Caesarstone finish require a 4-section top.

# Highline Fifty Rectangular Conference Table

72"x192"/ 16 Person

03R72X192



Starting Price: **\$39,418**

72x192 table, slab veneer Tier 1 top, open painted base with no metal trim, powder coat finish

Base Pattern Number: 03R72X192

## Step 1. Top Material

S	Slab (veneer only)
V	Veneer layered
G	Glass layered
C	Corian layered
Q	Caesarstone layered

## Step 2. Base Options

ON	Open Base, no metal trim	+ 0
MC __	Open Base, MC metal trim	+4,930
PM01	Open Base, PM01 metal trim	+6,634
PM02	Open Base, PM02 metal trim	+6,634
PM03	Open Base, PM03 metal trim	+8,291

## Step 3. Edge Selection/Finish

N__	No Edge	+0
AU__	Spinneybeck Leather: Acqua	+\$4,172
MC__	Powder Coat	+0
PM01	Polished Chrome	+2,117
PM02	Satin Nickel	+2,117
PM03	Oil Rubbed Bronze	+2,117

## Step 4A. Top Finish

T1 __	Veneer Tier 1	+0
T2 __	Veneer Tier 2	+2,434
GC __	Clear Glass, back painted	+10,478
GE __	Etched matte Glass, back painted	+12,595
CS01	Corian Glacier White	+15,347
QS __	Caesarstone	+39,690

## Step 4B. Lower Layer Finish (Layer top only)

SL __	Satin Lacquer	+953
T ___	Veneer Tier 1, 2, 3	+1,342
HG __	High Gloss Polyester	+1,477

## Step 5. Base Finish

T1 __	Veneer Tier 1	+1,386
T2 __	Veneer Tier 2	+3,318
SL __	Satin Lacquer	+0
HG __	High Gloss Polyester	+6,399

## Step 6. Power & Connectivity Access: Optional

DRHW	Drawer, Hardwired (layered edge only), Qty 8	+15,056
DRPI	Drawer, Plug In (layered edge only), Qty 8	+12,888
DRLK	Drawer, Linkable (layered edge only), Qty 8	+12,888
TMHW	Tabletop Metal lid, Hardwired, Qty 3	+15,735
TMPI	Tabletop Metal lid, Plug In, Qty 3	+13,896
TMLK	Tabletop Metal lid, Linkable, Qty 3	+13,896
TWHW	Tabletop Wood lid, Hardwired (veneer tops only), Qty 3	+13,977
TWPI	Tabletop Wood lid, Plug In (veneer tops only), Qty 3	+12,075
TWLK	Tabletop Wood lid, Linkable (veneer tops only), Qty 3	+12,075
UMHW	Undermount, Hardwired, Qty 8	+8,992
UMPI	Undermount, Plug In, Qty 8	+6,536
UMLK	Undermount, Linkable, Qty 8	+6,536
SOHW	Slide Out Power Box, Hardwired, Qty 8	+15,664
SOPI	Slide Out Power Box, Plug In, Qty 8	+13,288
SOLK	Slide Out Power Box, Linkable, Qty 8	+13,288

## Step 7. Microphone and/or Grommet Accommodations: Optional

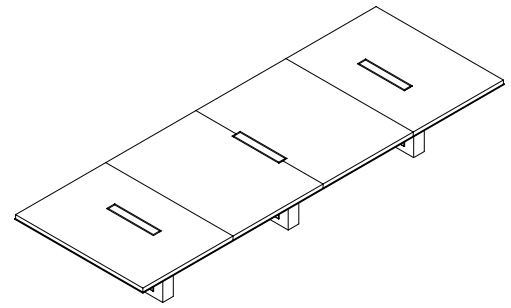
MA __	Microphone hole (factory cut)	Qty __ x 354 each
GM __	2" Grommet hole (factory cut), liner, lid, in matching metal finish	Qty __ x 466 each

Please consult [page 7](#) for the palette of DatesWeiser finishes. Natural stone, non-standard glass and veneer, and other technology options are available. Please email [customerservice@datesweiser.com](mailto:customerservice@datesweiser.com) for a custom quote. Consult technical information on [page 294](#) for construction details and technical information.

# Highline Fifty Rectangular Conference Table

72"x204"/ 16 Person

03R72X204



Starting Price: **\$40,753**

72x204 table, slab veneer Tier 1 top, open painted base with no metal trim, powder coat finish

Base Pattern Number: 03R72X204

## Step 1. Top Material

S	Slab (veneer only)
V	Veneer layered
G	Glass layered
C	Corian layered
Q	Caesarstone layered

## Step 2. Base Options

ON	Open Base, no metal trim	+ 0
MC __	Open Base, MC metal trim	+4,930
PM01	Open Base, PM01 metal trim	+6,634
PM02	Open Base, PM02 metal trim	+6,634
PM03	Open Base, PM03 metal trim	+8,291

## Step 3. Edge Selection/Finish

N__	No Edge	+0
AU__	Spinneybeck Leather: Acqua	+\$4,362
MC__	Powder Coat	+0
PM01	Polished Chrome	+2,117
PM02	Satin Nickel	+2,117
PM03	Oil Rubbed Bronze	+2,117

## Step 4A. Top Finish

T1 __	Veneer Tier 1	+0
T2 __	Veneer Tier 2	+2,477
GC __	Clear Glass, back painted	+11,133
GE __	Etched matte Glass, back painted	+13,382
CS01	Corian Glacier White	+16,306
QS __	Caesarstone	+42,171

## Step 4B. Lower Layer Finish (Layer top only)

SL __	Satin Lacquer	+1,038
T ___	Veneer Tier 1, 2, 3	+1,415
HG __	High Gloss Polyester	+1,558

## Step 5. Base Finish

T1 __	Veneer Tier 1	+1,386
T2 __	Veneer Tier 2	+3,318
SL __	Satin Lacquer	+0
HG __	High Gloss Polyester	+6,399

## Step 6. Power & Connectivity Access: Optional

DRHW	Drawer, Hardwired (layered edge only), Qty 8	+15,056
DRPI	Drawer, Plug In (layered edge only), Qty 8	+12,888
DRLK	Drawer, Linkable (layered edge only), Qty 8	+12,888
TMHW	Tabletop Metal lid, Hardwired, Qty 3	+15,735
TMPI	Tabletop Metal lid, Plug In, Qty 3	+13,896
TMLK	Tabletop Metal lid, Linkable, Qty 3	+13,896
TWHW	Tabletop Wood lid, Hardwired (veneer tops only), Qty 3	+13,977
TWPI	Tabletop Wood lid, Plug In (veneer tops only), Qty 3	+12,075
TWLK	Tabletop Wood lid, Linkable (veneer tops only), Qty 3	+12,075
UMHW	Undermount, Hardwired, Qty 8	+8,992
UMPI	Undermount, Plug In, Qty 8	+6,536
UMLK	Undermount, Linkable, Qty 8	+6,536
SOHW	Slide Out Power Box, Hardwired, Qty 8	+15,664
SOPI	Slide Out Power Box, Plug In, Qty 8	+13,288
SOLK	Slide Out Power Box, Linkable, Qty 8	+13,288

## Step 7. Microphone and/or Grommet Accommodations: Optional

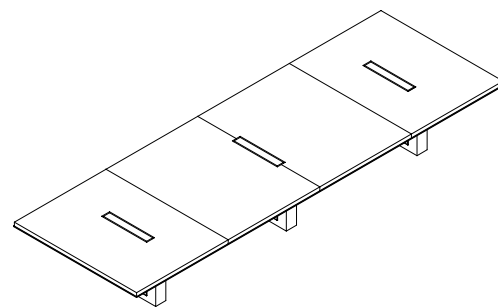
MA __	Microphone hole (factory cut)	Qty __ x 354 each
GM __	2" Grommet hole (factory cut), liner, lid, in matching metal finish	Qty __ x 466 each

Please consult [page 7](#) for the palette of DatesWeiser finishes. Natural stone, non-standard glass and veneer, and other technology options are available. Please email [customerservice@datesweiser.com](mailto:customerservice@datesweiser.com) for a custom quote. Consult technical information on [page 294](#) for construction details and technical information.

# Highline Fifty Rectangular Conference Table

72"x216"/ 18 Person

03R72X216



Starting Price: **\$42,004**

72x216 table, slab veneer Tier 1 top, open painted base with no metal trim, powder coat finish

Base Pattern Number: 03R72X216

## Step 1. Top Material

S	Slab (veneer only)
V	Veneer layered
G	Glass layered
C	Corian layered
Q	Caesarstone layered

## Step 2. Base Options

ON	Open Base, no metal trim	+ 0
MC __	Open Base, MC metal trim	+4,930
PM01	Open Base, PM01 metal trim	+6,634
PM02	Open Base, PM02 metal trim	+6,634
PM03	Open Base, PM03 metal trim	+8,291

## Step 3. Edge Selection/Finish

N__	No Edge	+0
AU__	Spinneybeck Leather: Acqua	+\$4,551
MC__	Powder Coat	+0
PM01	Polished Chrome	+2,117
PM02	Satin Nickel	+2,117
PM03	Oil Rubbed Bronze	+2,117

## Step 4A. Top Finish

T1 __	Veneer Tier 1	+0
T2 __	Veneer Tier 2	+2,739
GC __	Clear Glass, back painted	+11,789
GE __	Etched matte Glass, back painted	+14,269
CS01	Corian Glacier White	+17,265
QS __	Caesarstone	+44,651

## Step 4B. Lower Layer Finish (Layer top only)

SL __	Satin Lacquer	+1,088
T ___	Veneer Tier 1, 2, 3	+1,489
HG __	High Gloss Polyester	+1,637

## Step 5. Base Finish

T1 __	Veneer Tier 1	+1,386
T2 __	Veneer Tier 2	+3,318
SL __	Satin Lacquer	+0
HG __	High Gloss Polyester	+6,399

## Step 6. Power & Connectivity Access: Optional

DRHW	Drawer, Hardwired (layered edge only), Qty 8	+15,056
DRPI	Drawer, Plug In (layered edge only), Qty 8	+12,888
DRLK	Drawer, Linkable (layered edge only), Qty 8	+12,888
TMHW	Tabletop Metal lid, Hardwired, Qty 3	+15,735
TMPI	Tabletop Metal lid, Plug In, Qty 3	+13,896
TMLK	Tabletop Metal lid, Linkable, Qty 3	+13,896
TWHW	Tabletop Wood lid, Hardwired (veneer tops only), Qty 3	+13,977
TWPI	Tabletop Wood lid, Plug In (veneer tops only), Qty 3	+12,075
TWLK	Tabletop Wood lid, Linkable (veneer tops only), Qty 3	+12,075
UMHW	Undermount, Hardwired, Qty 8	+8,992
UMPI	Undermount, Plug In, Qty 8	+6,536
UMLK	Undermount, Linkable, Qty 8	+6,536
SOHW	Slide Out Power Box, Hardwired, Qty 8	+15,664
SOPI	Slide Out Power Box, Plug In, Qty 8	+13,288
SOLK	Slide Out Power Box, Linkable, Qty 8	+13,288

## Step 7. Microphone and/or Grommet Accommodations: Optional

MA __	Microphone hole (factory cut)	Qty __ x 354 each
GM __	2" Grommet hole (factory cut), liner, lid, in matching metal finish	Qty __ x 466 each

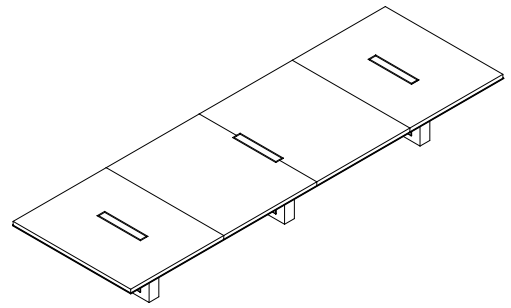
Please consult [page 7](#) for the palette of DatesWeiser finishes. Natural stone, non-standard glass and veneer, and other technology options are available. Please email [customerservice@datesweiser.com](mailto:customerservice@datesweiser.com) for a custom quote. Consult technical information on [page 294](#) for construction details and technical information.



# Highline Fifty Rectangular Conference Table

72"x228"/ 18 Person

03R72X228



Starting Price: **\$41,222**

72x228 table, slab veneer Tier 1 top, open painted base with no metal trim, powder coat finish

Base Pattern Number: 03R72X228

## Step 1. Top Material

S	Slab (veneer only)
V	Veneer layered
G	Glass layered
C	Corian layered
Q	Caesarstone layered

## Step 2. Base Options

ON	Open Base, no metal trim	+ 0
MC __	Open Base, MC metal trim	+4,930
PM01	Open Base, PM01 metal trim	+6,634
PM02	Open Base, PM02 metal trim	+6,634
PM03	Open Base, PM03 metal trim	+8,291

## Step 3. Edge Selection/Finish

N__	No Edge	+0
AU__	Spinneybeck Leather: Acqua	+\$4,172
MC__	Powder Coat	+0
PM01	Polished Chrome	+2,117
PM02	Satin Nickel	+2,117
PM03	Oil Rubbed Bronze	+2,117

## Step 4A. Top Finish

T1 __	Veneer Tier 1	+0
T2 __	Veneer Tier 2	+2,891
GC __	Clear Glass, back painted	+12,443
GE __	Etched matte Glass, back painted	+14,956
CS01	Corian Glacier White	+18,224
QS __	Caesarstone*	+47,131

## Step 4B. Lower Layer Finish (Layer top only)

SL __	Satin Lacquer	+1,136
T ___	Veneer Tier 1, 2, 3	+1,556
HG __	High Gloss Polyester	+1,712

## Step 5. Base Finish

T1 __	Veneer Tier 1	+1,386
T2 __	Veneer Tier 2	+3,318
SL __	Satin Lacquer	+0
HG __	High Gloss Polyester	+6,399

## Step 6. Power & Connectivity Access: Optional

DRHW	Drawer, Hardwired (layered edge only), Qty 8	+15,056
DRPI	Drawer, Plug In (layered edge only), Qty 8	+12,888
DRLK	Drawer, Linkable (layered edge only), Qty 8	+12,888
TMHW	Tabletop Metal lid, Hardwired, Qty 3	+15,735
TMPI	Tabletop Metal lid, Plug In, Qty 3	+13,896
TMLK	Tabletop Metal lid, Linkable, Qty 3	+13,896
TWHW	Tabletop Wood lid, Hardwired (veneer tops only), Qty 3	+13,977
TWPI	Tabletop Wood lid, Plug In (veneer tops only), Qty 3	+12,075
TWLK	Tabletop Wood lid, Linkable (veneer tops only), Qty 3	+12,075
UMHW	Undermount, Hardwired, Qty 8	+8,992
UMPI	Undermount, Plug In, Qty 8	+6,536
UMLK	Undermount, Linkable, Qty 8	+6,536
SOHW	Slide Out Power Box, Hardwired, Qty 8	+15,664
SOPI	Slide Out Power Box, Plug In, Qty 8	+13,288
SOLK	Slide Out Power Box, Linkable, Qty 8	+13,288

## Step 7. Microphone and/or Grommet Accommodations: Optional

MA __	Microphone hole (factory cut)	Qty __ x 354 each
GM __	2" Grommet hole (factory cut), liner, lid, in matching metal finish	Qty __ x 466 each

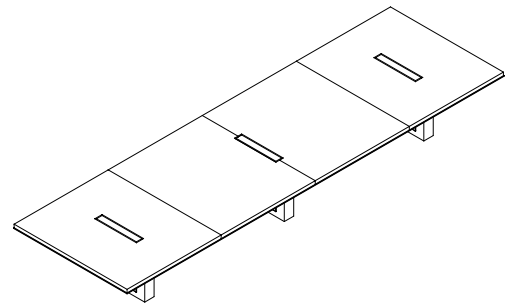
Please consult [page 7](#) for the palette of DatesWeiser finishes. Natural stone, non-standard glass and veneer, and other technology options are available. Please email [customerservice@datesweiser.com](mailto:customerservice@datesweiser.com) for a custom quote. Consult technical information on [page 294](#) for construction details and technical information.

\*Tables with a Caesarstone finish require a 5-section top.

# Highline Fifty Rectangular Conference Table

72"x240"/ 20 Person

03R72X240



Starting Price: **\$46,045**

72x240 table, slab veneer Tier 1 top, open painted base with no metal trim, powder coat finish

Base Pattern Number: 03R72X240

## Step 1. Top Material

S	Slab (veneer only)	
V	Veneer layered	
G	Glass layered	
C	Corian layered	
Q	Caesarstone layered	

## Step 2. Base Options

ON	Open Base, no metal trim	+ 0
MC __	Open Base, MC metal trim	+4,930
PM01	Open Base, PM01 metal trim	+6,634
PM02	Open Base, PM02 metal trim	+6,634
PM03	Open Base, PM03 metal trim	+8,291

## Step 3. Edge Selection/Finish

N__	No Edge	+0
AU__	Spinneybeck Leather: Acqua	+\$4,931
MC__	Powder Coat	+0
PM01	Polished Chrome	+2,117
PM02	Satin Nickel	+2,117
PM03	Oil Rubbed Bronze	+2,117

## Step 4A. Top Finish

T1 __	Veneer Tier 1	+0
T2 __	Veneer Tier 2	+3,043
GC __	Clear Glass, back painted	+13,097
GE __	Etched matte Glass, back painted	+15,743
CS01	Corian Glacier White	+19,293
QS __	Caesarstone*	+49,612

## Step 4B. Lower Layer Finish (Layer top only)

SL __	Satin Lacquer	+1,263
T ___	Veneer Tier 1, 2, 3	+1,634
HG __	High Gloss Polyester	+1,800

## Step 5. Base Finish

T1 __	Veneer Tier 1	+1,386
T2 __	Veneer Tier 2	+3,318
SL __	Satin Lacquer	+0
HG __	High Gloss Polyester	+6,399

## Step 6. Power & Connectivity Access: Optional

DRHW	Drawer, Hardwired (layered edge only), Qty 10	+18,820
DRPI	Drawer, Plug In (layered edge only), Qty 10	+16,110
DRLK	Drawer, Linkable (layered edge only), Qty 10	+16,110
TMHW	Tabletop Metal lid, Hardwired, Qty 3	+15,735
TMPI	Tabletop Metal lid, Plug In, Qty 3	+13,896
TMLK	Tabletop Metal lid, Linkable, Qty 3	+13,896
TWHW	Tabletop Wood lid, Hardwired (veneer tops only), Qty 3	+13,977
TWPI	Tabletop Wood lid, Plug In (veneer tops only), Qty 3	+12,075
TWLK	Tabletop Wood lid, Linkable (veneer tops only), Qty 3	+12,075
UMHW	Undermount, Hardwired, Qty 10	+11,240
UMPI	Undermount, Plug In, Qty 10	+8,170
UMLK	Undermount, Linkable, Qty 10	+8,170
SOHW	Slide Out Power Box, Hardwired, Qty 10	+19,580
SOPI	Slide Out Power Box, Plug In, Qty 10	+16,610
SOLK	Slide Out Power Box, Linkable, Qty 10	+16,610

## Step 7. Microphone and/or Grommet Accommodations: Optional

MA __	Microphone hole (factory cut)	Qty __ x 354 each
GM __	2" Grommet hole (factory cut), liner, lid, in matching metal finish	Qty __ x 466 each

Please consult [page 7](#) for the palette of DatesWeiser finishes. Natural stone, non-standard glass and veneer, and other technology options are available. Please email [customerservice@datesweiser.com](mailto:customerservice@datesweiser.com) for a custom quote. Consult technical information on [page 294](#) for construction details and technical information.

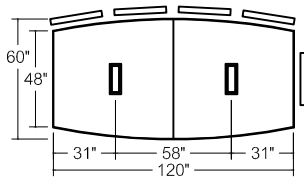
\*Tables with a Caesarstone finish require a 5-section top.



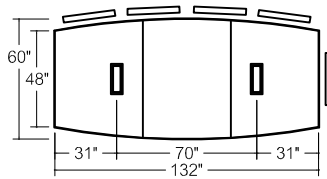


# Highline Fifty Boat Tables Index

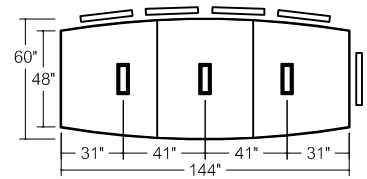
48"-72" width



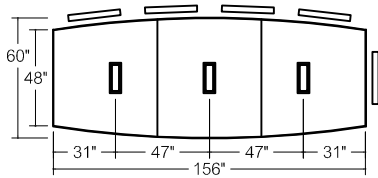
03B60X120  
10 Person Table



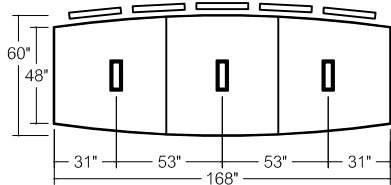
03B60X132  
10 Person Table



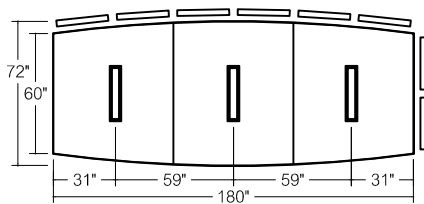
03B60X144  
10 Person Table



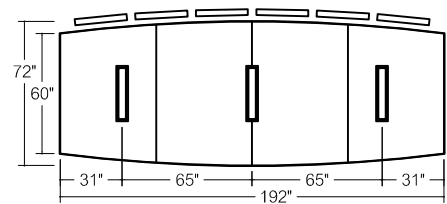
03B60X156  
10 Person Table



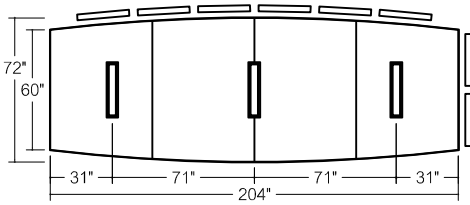
03B60X168  
12 Person Table



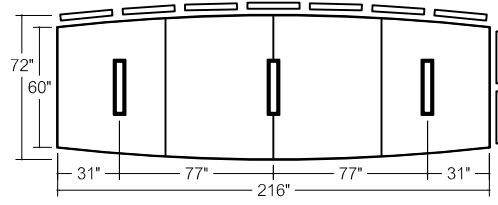
03B72X180  
16 Person Table



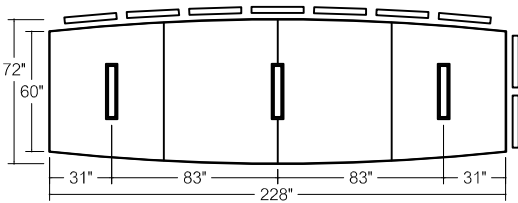
03B72X192  
16 Person Table



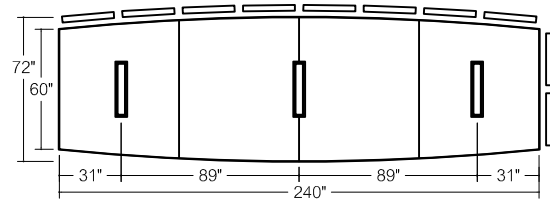
03B72X204  
16 Person Table



03B72X216  
18 Person Table



03B72X228  
18 Person Table

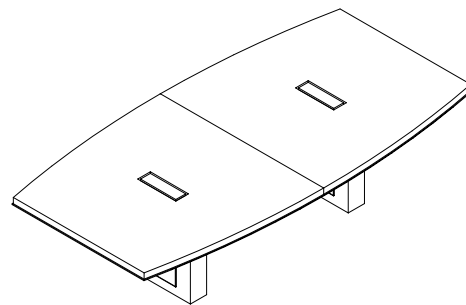


03B72X240  
20 Person Table

# Highline Fifty Boat Conference Table

60"x120"/ 10 Person

03B60X120



Starting Price: **\$26,321**

60x120 table, slab veneer Tier 1 top, open painted base with no metal trim, powder coat finish

Base Pattern Number: 03B60X120

## Step 1. Top Material

S	Slab (veneer only)	
V	Veneer layered	
G	Glass layered	
C	Corian layered	
Q	Caesarstone layered	

## Step 2. Base Options

ON	Open Base, no metal trim	+ 0
MC __	Open Base, MC metal trim	+3,287
PM01	Open Base, PM01 metal trim	+4,423
PM02	Open Base, PM02 metal trim	+4,423
PM03	Open Base, PM03 metal trim	+5,527

## Step 3. Edge Selection/Finish

N__	No Edge	+0
AU__	Spinneybeck Leather: Acqua	+\$3,369
MC__	Powder Coat	+0
PM01	Polished Chrome	+1,996
PM02	Satin Nickel	+1,996
PM03	Oil Rubbed Bronze	+5,041

## Step 4A. Top Finish

T1 __	Veneer Tier 1	+0
T2 __	Veneer Tier 2	+1,268
GC __	Clear Glass, back painted	+8,269
GE __	Etched matte Glass, back painted	+9,923
CS01	Corian Glacier White	+13,230
QS __	Caesarstone	+26,184

## Step 4B. Lower Layer Finish (Layer top only)

SL __	Satin Lacquer	+613
T ___	Veneer Tier 1, 2, 3	+905
HG __	High Gloss Polyester	+995

## Step 5. Base Finish

T1 __	Veneer Tier 1	+828
T2 __	Veneer Tier 2	+1,736
SL __	Satin Lacquer	+0
HG __	High Gloss Polyester	+3,790

## Step 6. Power & Connectivity Access: Optional

DRHW	Drawer, Hardwired (layered edge only), Qty 6	+11,292
DRPI	Drawer, Plug In (layered edge only), Qty 6	+9,666
DRLK	Drawer, Linkable (layered edge only), Qty 6	+9,666
TMHW	Tabletop Metal lid, Hardwired, Qty 2	+8,260
TMPI	Tabletop Metal lid, Plug In, Qty 2	+7,038
TMLK	Tabletop Metal lid, Linkable, Qty 2	+6,004
TWHW	Tabletop Wood lid, Hardwired (veneer tops only), Qty 2	+7,570
TWPI	Tabletop Wood lid, Plug In (veneer tops only), Qty 2	+6,346
TWLK	Tabletop Wood lid, Linkable (veneer tops only), Qty 2	+5,316
UMHW	Undermount, Hardwired, Qty 6	+6,744
UMPI	Undermount, Plug In, Qty 6	+4,902
UMLK	Undermount, Linkable, Qty 6	+4,902
SOHW	Slide Out Power Box, Hardwired, Qty 6	+11,748
SOPI	Slide Out Power Box, Plug In, Qty 6	+9,966
SOLK	Slide Out Power Box, Linkable, Qty 6	+9,966

## Step 7. Microphone and/or Grommet Accommodations: Optional

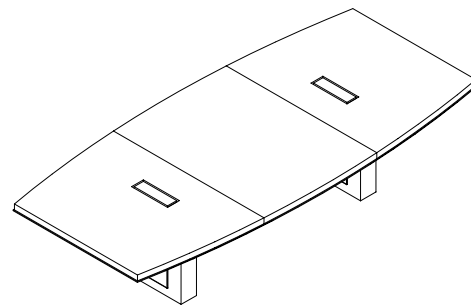
MA __	Microphone hole (factory cut)	Qty __ x 354 each
GM __	2" Grommet hole (factory cut), liner, lid, in matching metal finish	Qty __ x 466 each

Please consult [page 7](#) for the palette of DatesWeiser finishes. Natural stone, non-standard glass and veneer, and other technology options are available. Please email [customerservice@datesweiser.com](mailto:customerservice@datesweiser.com) for a custom quote. Consult technical information on [page 294](#) for construction details and technical information.

# Highline Fifty Boat Conference Table

60"x132"/ 10 Person

03B60X132



Starting Price: **\$32,129**

60x132 table, slab veneer Tier 1 top, open painted base with no metal trim, powder coat finish

Base Pattern Number: 03B60X132

## Step 1. Top Material

S	Slab (veneer only)	
V	Veneer layered	
G	Glass layered	
C	Corian layered	
Q	Caesarstone layered	

## Step 2. Base Options

ON	Open Base, no metal trim	+ 0
MC __	Open Base, MC metal trim	+3,287
PM01	Open Base, PM01 metal trim	+4,423
PM02	Open Base, PM02 metal trim	+4,423
PM03	Open Base, PM03 metal trim	+5,527

## Step 3. Edge Selection/Finish

N__	No Edge	+0
AU__	Spinneybeck Leather: Acqua	+\$3,607
MC__	Powder Coat	+0
PM01	Polished Chrome	+2,687
PM02	Satin Nickel	+2,687
PM03	Oil Rubbed Bronze	+6,707

## Step 4A. Top Finish

T1 __	Veneer Tier 1	+0
T2 __	Veneer Tier 2	+1,394
GC __	Clear Glass, back painted	+9,096
GE __	Etched matte Glass, back painted	+10,915
CS01	Corian Glacier White	+14,553
QS __	Caesarstone	+28,803

## Step 4B. Lower Layer Finish (Layer top only)

SL __	Satin Lacquer	+687
T ___	Veneer Tier 1, 2, 3	+918
HG __	High Gloss Polyester	+1,010

## Step 5. Base Finish

T1 __	Veneer Tier 1	+828
T2 __	Veneer Tier 2	+1,736
SL __	Satin Lacquer	+0
HG __	High Gloss Polyester	+3,790

## Step 6. Power & Connectivity Access: Optional

DRHW	Drawer, Hardwired (layered edge only), Qty 6	+11,292
DRPI	Drawer, Plug In (layered edge only), Qty 6	+9,666
DRLK	Drawer, Linkable (layered edge only), Qty 6	+9,666
TMHW	Tabletop Metal lid, Hardwired, Qty 2	+8,260
TMPI	Tabletop Metal lid, Plug In, Qty 2	+7,038
TMLK	Tabletop Metal lid, Linkable, Qty 2	+6,004
TWHW	Tabletop Wood lid, Hardwired (veneer tops only), Qty 2	+7,570
TWPI	Tabletop Wood lid, Plug In (veneer tops only), Qty 2	+6,346
TWLK	Tabletop Wood lid, Linkable (veneer tops only), Qty 2	+5,316
UMHW	Undermount, Hardwired, Qty 6	+6,744
UMPI	Undermount, Plug In, Qty 6	+4,902
UMLK	Undermount, Linkable, Qty 6	+4,902
SOHW	Slide Out Power Box, Hardwired, Qty 6	+11,748
SOPI	Slide Out Power Box, Plug In, Qty 6	+9,966
SOLK	Slide Out Power Box, Linkable, Qty 6	+9,966

## Step 7. Microphone and/or Grommet Accommodations: Optional

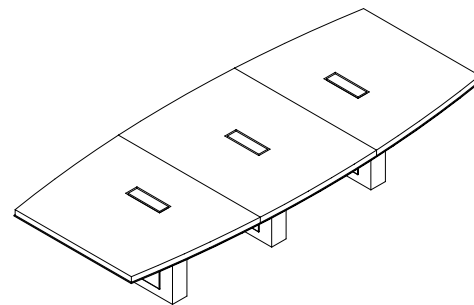
MA __	Microphone hole (factory cut)	Qty __ x 354 each
GM __	2" Grommet hole (factory cut), liner, lid, in matching metal finish	Qty __ x 466 each

Please consult [page 7](#) for the palette of DatesWeiser finishes. Natural stone, non-standard glass and veneer, and other technology options are available. Please email [customerservice@datesweiser.com](mailto:customerservice@datesweiser.com) for a custom quote. Consult technical information on [page 294](#) for construction details and technical information.

# Highline Fifty Boat Conference Table

60"x144"/ 10 Person

03B60X144



Starting Price: **\$33,802**

60x144 table, slab veneer Tier 1 top, open painted base with no metal trim, powder coat finish

Base Pattern Number: 03B60X144

## Step 1. Top Material

S	Slab (veneer only)	
V	Veneer layered	
G	Glass layered	
C	Corian layered	
Q	Caesarstone layered	

## Step 2. Base Options

ON	Open Base, no metal trim	+ 0
MC __	Open Base, MC metal trim	+4,930
PM01	Open Base, PM01 metal trim	+6,634
PM02	Open Base, PM02 metal trim	+6,634
PM03	Open Base, PM03 metal trim	+8,291

## Step 3. Edge Selection/Finish

N__	No Edge	+0
AU__	Spinneybeck Leather: Acqua	+\$3,844
MC__	Powder Coat	+0
PM01	Polished Chrome	+2,623
PM02	Satin Nickel	+2,623
PM03	Oil Rubbed Bronze	+6,707

## Step 4A. Top Finish

T1 __	Veneer Tier 1	+0
T2 __	Veneer Tier 2	+1,521
GC __	Clear Glass, back painted	+9,922
GE __	Etched matte Glass, back painted	+11,907
CS01	Corian Glacier White	+15,876
QS __	Caesarstone	+31,421

## Step 4B. Lower Layer Finish (Layer top only)

SL __	Satin Lacquer	+734
T ___	Veneer Tier 1, 2, 3	+985
HG __	High Gloss Polyester	+1,083

## Step 5. Base Finish

T1 __	Veneer Tier 1	+1,242
T2 __	Veneer Tier 2	+2,604
SL __	Satin Lacquer	+0
HG __	High Gloss Polyester	+5,685

## Step 6. Power & Connectivity Access: Optional

DRHW	Drawer, Hardwired (layered edge only), Qty 6	+11,292
DRPI	Drawer, Plug In (layered edge only), Qty 6	+9,666
DRLK	Drawer, Linkable (layered edge only), Qty 6	+9,666
TMHW	Tabletop Metal lid, Hardwired, Qty 3	+12,390
TMPI	Tabletop Metal lid, Plug In, Qty 3	+10,557
TMLK	Tabletop Metal lid, Linkable, Qty 3	+9,006
TWHW	Tabletop Wood lid, Hardwired (veneer tops only), Qty 3	+11,355
TWPI	Tabletop Wood lid, Plug In (veneer tops only), Qty 3	+9,519
TWLK	Tabletop Wood lid, Linkable (veneer tops only), Qty 3	+7,974
UMHW	Undermount, Hardwired, Qty 6	+6,744
UMPI	Undermount, Plug In, Qty 6	+4,902
UMLK	Undermount, Linkable, Qty 6	+4,902
SOHW	Slide Out Power Box, Hardwired, Qty 6	+11,748
SOPI	Slide Out Power Box, Plug In, Qty 6	+9,966
SOLK	Slide Out Power Box, Linkable, Qty 6	+9,966

## Step 7. Microphone and/or Grommet Accommodations: Optional

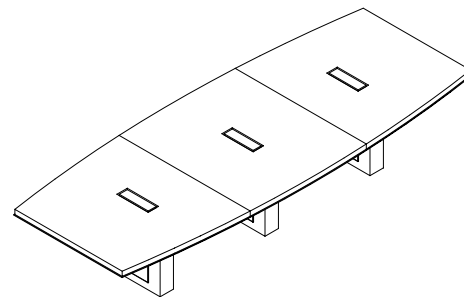
MA __	Microphone hole (factory cut)	Qty __ x 354 each
GM __	2" Grommet hole (factory cut), liner, lid, in matching metal finish	Qty __ x 466 each

Please consult [page 7](#) for the palette of DatesWeiser finishes. Natural stone, non-standard glass and veneer, and other technology options are available. Please email [customerservice@datesweiser.com](mailto:customerservice@datesweiser.com) for a custom quote. Consult technical information on [page 294](#) for construction details and technical information.

# Highline Fifty Boat Conference Table

60"x156"/ 10 Person

03B60X156



Starting Price: **\$35,044**

60x156 table, slab veneer Tier 1 top, open painted base with no metal trim, powder coat finish

Base Pattern Number: 03B60X156

## Step 1. Top Material

S	Slab (veneer only)	
V	Veneer layered	
G	Glass layered	
C	Corian layered	
Q	Caesarstone layered	

## Step 2. Base Options

ON	Open Base, no metal trim	+ 0
MC __	Open Base, MC metal trim	+4,930
PM01	Open Base, PM01 metal trim	+6,634
PM02	Open Base, PM02 metal trim	+6,634
PM03	Open Base, PM03 metal trim	+8,291

## Step 3. Edge Selection/Finish

N__	No Edge	+0
AU__	Spinneybeck Leather: Acqua	+\$4,080
MC__	Powder Coat	+0
PM01	Polished Chrome	+2,622
PM02	Satin Nickel	+2,622
PM03	Oil Rubbed Bronze	+6,706

## Step 4A. Top Finish

T1 __	Veneer Tier 1	+0
T2 __	Veneer Tier 2	+1,648
GC __	Clear Glass, back painted	+10,750
GE __	Etched matte Glass, back painted	+12,899
CS01	Corian Glacier White	+17,199
QS __	Caesarstone	+34,040

## Step 4B. Lower Layer Finish (Layer top only)

SL __	Satin Lacquer	+820
T ___	Veneer Tier 1, 2, 3	+1,092
HG __	High Gloss Polyester	+1,200

## Step 5. Base Finish

T1 __	Veneer Tier 1	+1,242
T2 __	Veneer Tier 2	+2,604
SL __	Satin Lacquer	+0
HG __	High Gloss Polyester	+5,685

## Step 6. Power & Connectivity Access: Optional

DRHW	Drawer, Hardwired (layered edge only), Qty 6	+11,292
DRPI	Drawer, Plug In (layered edge only), Qty 6	+9,666
DRLK	Drawer, Linkable (layered edge only), Qty 6	+9,666
TMHW	Tabletop Metal lid, Hardwired, Qty 3	+12,390
TMPI	Tabletop Metal lid, Plug In, Qty 3	+10,557
TMLK	Tabletop Metal lid, Linkable, Qty 3	+9,006
TWHW	Tabletop Wood lid, Hardwired (veneer tops only), Qty 3	+11,355
TWPI	Tabletop Wood lid, Plug In (veneer tops only), Qty 3	+9,519
TWLK	Tabletop Wood lid, Linkable (veneer tops only), Qty 3	+7,974
UMHW	Undermount, Hardwired, Qty 6	+6,744
UMPI	Undermount, Plug In, Qty 6	+4,902
UMLK	Undermount, Linkable, Qty 6	+4,902
SOHW	Slide Out Power Box, Hardwired, Qty 6	+11,748
SOPI	Slide Out Power Box, Plug In, Qty 6	+9,966
SOLK	Slide Out Power Box, Linkable, Qty 6	+9,966

## Step 7. Microphone and/or Grommet Accommodations: Optional

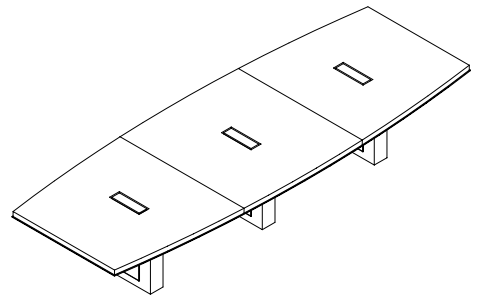
MA __	Microphone hole (factory cut)	Qty __ x 354 each
GM __	2" Grommet hole (factory cut), liner, lid, in matching metal finish	Qty __ x 466 each

Please consult [page 7](#) for the palette of DatesWeiser finishes. Natural stone, non-standard glass and veneer, and other technology options are available. Please email [customerservice@datesweiser.com](mailto:customerservice@datesweiser.com) for a custom quote. Consult technical information on [page 294](#) for construction details and technical information.

# Highline Fifty Boat Conference Table

60"x168"/ 12 Person

03B60X168



Starting Price: **\$36,307**

60x168 table, slab veneer Tier 1 top, open painted base with no metal trim, powder coat finish

Base Pattern Number: 03B60X168

## Step 1. Top Material

S	Slab (veneer only)
V	Veneer layered
G	Glass layered
C	Corian layered
Q	Caesarstone layered

## Step 2. Base Options

ON	Open Base, no metal trim	+ 0
MC __	Open Base, MC metal trim	+4,930
PM01	Open Base, PM01 metal trim	+6,634
PM02	Open Base, PM02 metal trim	+6,634
PM03	Open Base, PM03 metal trim	+8,291

## Step 3. Edge Selection/Finish

N__	No Edge	+0
AU__	Spinneybeck Leather: Acqua	+\$4,319
MC__	Powder Coat	+0
PM01	Polished Chrome	+2,654
PM02	Satin Nickel	+2,654
PM03	Oil Rubbed Bronze	+6,707

## Step 4A. Top Finish

T1 __	Veneer Tier 1	+0
T2 __	Veneer Tier 2	+1,774
GC __	Clear Glass, back painted	+11,576
GE __	Etched matte Glass, back painted	+13,891
CS01	Corian Glacier White	+18,522
QS __	Caesarstone	+36,658

## Step 4B. Lower Layer Finish (Layer top only)

SL __	Satin Lacquer	+905
T ___	Veneer Tier 1, 2, 3	+1,227
HG __	High Gloss Polyester	+1,350

## Step 5. Base Finish

T1 __	Veneer Tier 1	+1,242
T2 __	Veneer Tier 2	+2,604
SL __	Satin Lacquer	+0
HG __	High Gloss Polyester	+5,685

## Step 6. Power & Connectivity Access: Optional

DRHW	Drawer, Hardwired (layered edge only), Qty 6	+11,292
DRPI	Drawer, Plug In (layered edge only), Qty 6	+9,666
DRLK	Drawer, Linkable (layered edge only), Qty 6	+9,666
TMHW	Tabletop Metal lid, Hardwired, Qty 3	+12,390
TMPI	Tabletop Metal lid, Plug In, Qty 3	+10,557
TMLK	Tabletop Metal lid, Linkable, Qty 3	+9,006
TWHW	Tabletop Wood lid, Hardwired (veneer tops only), Qty 3	+11,355
TWPI	Tabletop Wood lid, Plug In (veneer tops only), Qty 3	+9,519
TWLK	Tabletop Wood lid, Linkable (veneer tops only), Qty 3	+7,974
UMHW	Undermount, Hardwired, Qty 6	+6,744
UMPI	Undermount, Plug In, Qty 6	+4,902
UMLK	Undermount, Linkable, Qty 6	+4,902
SOHW	Slide Out Power Box, Hardwired, Qty 6	+11,748
SOPI	Slide Out Power Box, Plug In, Qty 6	+9,966
SOLK	Slide Out Power Box, Linkable, Qty 6	+9,966

## Step 7. Microphone and/or Grommet Accommodations: Optional

MA __	Microphone hole (factory cut)	Qty __ x 354 each
GM __	2" Grommet hole (factory cut), liner, lid, in matching metal finish	Qty __ x 466 each

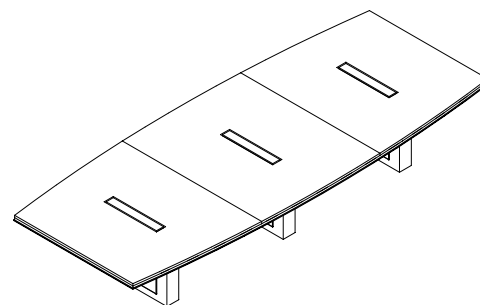
Please consult [page 7](#) for the palette of DatesWeiser finishes. Natural stone, non-standard glass and veneer, and other technology options are available. Please email [customerservice@datesweiser.com](mailto:customerservice@datesweiser.com) for a custom quote. Consult technical information on [page 294](#) for construction details and technical information.



# Highline Fifty Boat Conference Table

72"x180"/ 16 Person

03B72X180



**Starting Price: \$41,856**

72x180 table, slab veneer Tier 1 top, open painted base with no metal trim, powder coat finish

Base Pattern Number: 03B72X180

## Step 1. Top Material

S	Slab (veneer only)
V	Veneer layered
G	Glass layered
C	Corian layered
Q	Caesarstone layered

## Step 2. Base Options

ON	Open Base, no metal trim	+ 0
MC __	Open Base, MC metal trim	+4,930
PM01	Open Base, PM01 metal trim	+6,634
PM02	Open Base, PM02 metal trim	+6,634
PM03	Open Base, PM03 metal trim	+8,291

## Step 3. Edge Selection/Finish

N__	No Edge	+0
AU__	Spinneybeck Leather: Acqua	+\$4,792
MC__	Powder Coat	+0
PM01	Polished Chrome	+2,666
PM02	Satin Nickel	+2,666
PM03	Oil Rubbed Bronze	+6,707

## Step 4A. Top Finish

T1 __	Veneer Tier 1	+0
T2 __	Veneer Tier 2	+2,283
GC __	Clear Glass, back painted	+14,884
GE __	Etched matte Glass, back painted	+17,861
CS01	Corian Glacier White	+23,814
QS __	Caesarstone*	+47,133

## Step 4B. Lower Layer Finish (Layer top only)

SL __	Satin Lacquer	+1,021
T ___	Veneer Tier 1, 2, 3	+1,423
HG __	High Gloss Polyester	+1,563

## Step 5. Base Finish

T1 __	Veneer Tier 1	+1,386
T2 __	Veneer Tier 2	+3,318
SL __	Satin Lacquer	+0
HG __	High Gloss Polyester	+6,399

## Step 6. Power & Connectivity Access: Optional

DRHW	Drawer, Hardwired (layered edge only), Qty 8	+15,056
DRPI	Drawer, Plug In (layered edge only), Qty 8	+12,888
DRLK	Drawer, Linkable (layered edge only), Qty 8	+12,888
TMHW	Tabletop Metal lid, Hardwired, Qty 3	+12,390
TMPI	Tabletop Metal lid, Plug In, Qty 3	+10,557
TMLK	Tabletop Metal lid, Linkable, Qty 3	+9,006
TWHW	Tabletop Wood lid, Hardwired (veneer tops only), Qty 3	+11,355
TWPI	Tabletop Wood lid, Plug In (veneer tops only), Qty 3	+9,519
TWLK	Tabletop Wood lid, Linkable (veneer tops only), Qty 3	+7,974
UMHW	Undermount, Hardwired, Qty 8	+8,992
UMPI	Undermount, Plug In, Qty 8	+6,536
UMLK	Undermount, Linkable, Qty 8	+6,536
SOHW	Slide Out Power Box, Hardwired, Qty 8	+15,664
SOPI	Slide Out Power Box, Plug In, Qty 8	+13,288
SOLK	Slide Out Power Box, Linkable, Qty 8	+13,288

## Step 7. Microphone and/or Grommet Accommodations: Optional

MA __	Microphone hole (factory cut)	Qty __ x 354 each
GM __	2" Grommet hole (factory cut), liner, lid, in matching metal finish	Qty __ x 466 each

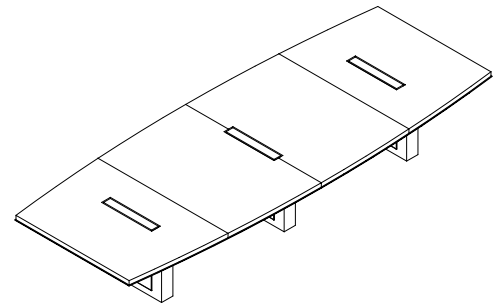
Please consult [page 7](#) for the palette of DatesWeiser finishes. Natural stone, non-standard glass and veneer, and other technology options are available. Please email [customerservice@datesweiser.com](mailto:customerservice@datesweiser.com) for a custom quote. Consult technical information on [page 294](#) for construction details and technical information.

\*Tables with a Caesarstone finish require a 4-section top.

# Highline Fifty Boat Conference Table

72"x192"/ 16 Person

03B72X192



Starting Price: **\$47,161**

72x192 table, slab veneer Tier 1 top, open painted base with no metal trim, powder coat finish

Base Pattern Number: 03B72X192

## Step 1. Top Material

S	Slab (veneer only)	
V	Veneer layered	
G	Glass layered	
C	Corian layered	
Q	Caesarstone layered	

## Step 2. Base Options

ON	Open Base, no metal trim	+ 0
MC __	Open Base, MC metal trim	+4,930
PM01	Open Base, PM01 metal trim	+6,634
PM02	Open Base, PM02 metal trim	+6,634
PM03	Open Base, PM03 metal trim	+8,291

## Step 3. Edge Selection/Finish

N__	No Edge	+0
AU__	Spinneybeck Leather: Acqua	+\$5,031
MC__	Powder Coat	+0
PM01	Polished Chrome	+3,129
PM02	Satin Nickel	+3,129
PM03	Oil Rubbed Bronze	+8,181

## Step 4A. Top Finish

T1 __	Veneer Tier 1	+0
T2 __	Veneer Tier 2	+2,434
GC __	Clear Glass, back painted	+15,876
GE __	Etched matte Glass, back painted	+19,051
CS01	Corian Glacier White	+25,401
QS __	Caesarstone	+50,274

## Step 4B. Lower Layer Finish (Layer top only)

SL __	Satin Lacquer	+1,106
T ___	Veneer Tier 1, 2, 3	+1,434
HG __	High Gloss Polyester	+1,578

## Step 5. Base Finish

T1 __	Veneer Tier 1	+1,386
T2 __	Veneer Tier 2	+3,318
SL __	Satin Lacquer	+0
HG __	High Gloss Polyester	+6,399

## Step 6. Power & Connectivity Access: Optional

DRHW	Drawer, Hardwired (layered edge only), Qty 8	+15,056
DRPI	Drawer, Plug In (layered edge only), Qty 8	+12,888
DRLK	Drawer, Linkable (layered edge only), Qty 8	+12,888
TMHW	Tabletop Metal lid, Hardwired, Qty 3	+12,390
TMPI	Tabletop Metal lid, Plug In, Qty 3	+10,557
TMLK	Tabletop Metal lid, Linkable, Qty 3	+9,006
TWHW	Tabletop Wood lid, Hardwired (veneer tops only), Qty 3	+11,355
TWPI	Tabletop Wood lid, Plug In (veneer tops only), Qty 3	+9,519
TWLK	Tabletop Wood lid, Linkable (veneer tops only), Qty 3	+7,974
UMHW	Undermount, Hardwired, Qty 8	+8,992
UMPI	Undermount, Plug In, Qty 8	+6,536
UMLK	Undermount, Linkable, Qty 8	+6,536
SOHW	Slide Out Power Box, Hardwired, Qty 8	+15,664
SOPI	Slide Out Power Box, Plug In, Qty 8	+13,288
SOLK	Slide Out Power Box, Linkable, Qty 8	+13,288

## Step 7. Microphone and/or Grommet Accommodations: Optional

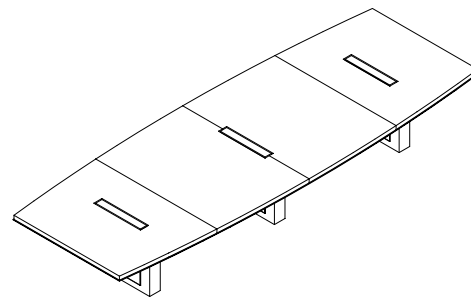
MA __	Microphone hole (factory cut)	Qty __ x 354 each
GM __	2" Grommet hole (factory cut), liner, lid, in matching metal finish	Qty __ x 466 each

Please consult [page 7](#) for the palette of DatesWeiser finishes. Natural stone, non-standard glass and veneer, and other technology options are available. Please email [customerservice@datesweiser.com](mailto:customerservice@datesweiser.com) for a custom quote. Consult technical information on [page 294](#) for construction details and technical information.

# Highline Fifty Boat Conference Table

72"x204"/ 16 Person

03B72X204



Starting Price: **\$48,637**

72x204 table, slab veneer Tier 1 top, open painted base with no metal trim, powder coat finish

Base Pattern Number: 03B72X204

## Step 1. Top Material

S	Slab (veneer only)	
V	Veneer layered	
G	Glass layered	
C	Corian layered	
Q	Caesarstone layered	

## Step 2. Base Options

ON	Open Base, no metal trim	+ 0
MC __	Open Base, MC metal trim	+4,930
PM01	Open Base, PM01 metal trim	+6,634
PM02	Open Base, PM02 metal trim	+6,634
PM03	Open Base, PM03 metal trim	+8,291

## Step 3. Edge Selection/Finish

N__	No Edge	+0
AU__	Spinneybeck Leather: Acqua	+\$5,269
MC__	Powder Coat	+0
PM01	Polished Chrome	+3,129
PM02	Satin Nickel	+3,129
PM03	Oil Rubbed Bronze	+8,181

## Step 4A. Top Finish

T1 __	Veneer Tier 1	+0
T2 __	Veneer Tier 2	+2,586
GC __	Clear Glass, back painted	+16,868
GE __	Etched matte Glass, back painted	+20,242
CS01	Corian Glacier White	+26,989
QS __	Caesarstone	+53,416

## Step 4B. Lower Layer Finish (Layer top only)

SL __	Satin Lacquer	+1,210
T ___	Veneer Tier 1, 2, 3	+1,603
HG __	High Gloss Polyester	+1,765

## Step 5. Base Finish

T1 __	Veneer Tier 1	+1,386
T2 __	Veneer Tier 2	+3,318
SL __	Satin Lacquer	+0
HG __	High Gloss Polyester	+6,291

## Step 6. Power & Connectivity Access: Optional

DRHW	Drawer, Hardwired (layered edge only), Qty 8	+15,056
DRPI	Drawer, Plug In (layered edge only), Qty 8	+12,888
DRLK	Drawer, Linkable (layered edge only), Qty 8	+12,888
TMHW	Tabletop Metal lid, Hardwired, Qty 3	+12,390
TMPI	Tabletop Metal lid, Plug In, Qty 3	+10,557
TMLK	Tabletop Metal lid, Linkable, Qty 3	+9,006
TWHW	Tabletop Wood lid, Hardwired (veneer tops only), Qty 3	+11,355
TWPI	Tabletop Wood lid, Plug In (veneer tops only), Qty 3	+9,519
TWLK	Tabletop Wood lid, Linkable (veneer tops only), Qty 3	+7,974
UMHW	Undermount, Hardwired, Qty 8	+8,992
UMPI	Undermount, Plug In, Qty 8	+6,536
UMLK	Undermount, Linkable, Qty 8	+6,536
SOHW	Slide Out Power Box, Hardwired, Qty 8	+15,664
SOPI	Slide Out Power Box, Plug In, Qty 8	+13,288
SOLK	Slide Out Power Box, Linkable, Qty 8	+13,288

## Step 7. Microphone and/or Grommet Accommodations: Optional

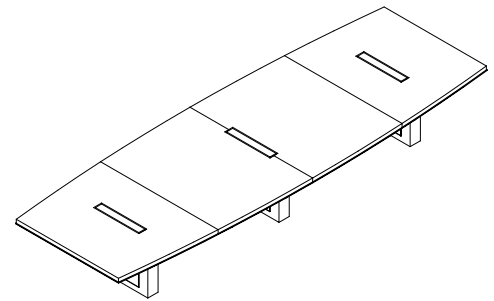
MA __	Microphone hole (factory cut)	Qty __ x 354 each
GM __	2" Grommet hole (factory cut), liner, lid, in matching metal finish	Qty __ x 466 each

Please consult [page 7](#) for the palette of DatesWeiser finishes. Natural stone, non-standard glass and veneer, and other technology options are available. Please email [customerservice@datesweiser.com](mailto:customerservice@datesweiser.com) for a custom quote. Consult technical information on [page 294](#) for construction details and technical information.

# Highline Fifty Boat Conference Table

72"x216"/ 18 Person

03B72X216



Starting Price: **\$50,223**

72x216 table, slab veneer Tier 1 top, open painted base with no metal trim, powder coat finish

Base Pattern Number: 03B72X216

## Step 1. Top Material

S	Slab (veneer only)	
V	Veneer layered	
G	Glass layered	
C	Corian layered	
Q	Caesarstone layered	

## Step 2. Base Options

ON	Open Base, no metal trim	+ 0
MC __	Open Base, MC metal trim	+4,930
PM01	Open Base, PM01 metal trim	+6,634
PM02	Open Base, PM02 metal trim	+6,634
PM03	Open Base, PM03 metal trim	+8,291

## Step 3. Edge Selection/Finish

N__	No Edge	+0
AU__	Spinneybeck Leather: Acqua	+\$5,505
MC__	Powder Coat	+0
PM01	Polished Chrome	+3,129
PM02	Satin Nickel	+3,129
PM03	Oil Rubbed Bronze	+8,224

## Step 4A. Top Finish

T1 __	Veneer Tier 1	+0
T2 __	Veneer Tier 2	+2,738
GC __	Clear Glass, back painted	+17,860
GE __	Etched matte Glass, back painted	+21,432
CS01	Corian Glacier White	+28,576
QS __	Caesarstone	+56,558

## Step 4B. Lower Layer Finish (Layer top only)

SL __	Satin Lacquer	+1,263
T ___	Veneer Tier 1, 2, 3	+1,634
HG __	High Gloss Polyester	+1,800

## Step 5. Base Finish

T1 __	Veneer Tier 1	+1,386
T2 __	Veneer Tier 2	+3,318
SL __	Satin Lacquer	+0
HG __	High Gloss Polyester	+6,399

## Step 6. Power & Connectivity Access: Optional

DRHW	Drawer, Hardwired (layered edge only), Qty 8	+15,056
DRPI	Drawer, Plug In (layered edge only), Qty 8	+12,888
DRLK	Drawer, Linkable (layered edge only), Qty 8	+12,888
TMHW	Tabletop Metal lid, Hardwired, Qty 3	+12,390
TMPI	Tabletop Metal lid, Plug In, Qty 3	+10,557
TMLK	Tabletop Metal lid, Linkable, Qty 3	+9,006
TWHW	Tabletop Wood lid, Hardwired (veneer tops only), Qty 3	+11,355
TWPI	Tabletop Wood lid, Plug In (veneer tops only), Qty 3	+9,519
TWLK	Tabletop Wood lid, Linkable (veneer tops only), Qty 3	+7,974
UMHW	Undermount, Hardwired, Qty 8	+8,992
UMPI	Undermount, Plug In, Qty 8	+6,536
UMLK	Undermount, Linkable, Qty 8	+6,536
SOHW	Slide Out Power Box, Hardwired, Qty 8	+15,664
SOPI	Slide Out Power Box, Plug In, Qty 8	+13,288
SOLK	Slide Out Power Box, Linkable, Qty 8	+13,288

## Step 7. Microphone and/or Grommet Accommodations: Optional

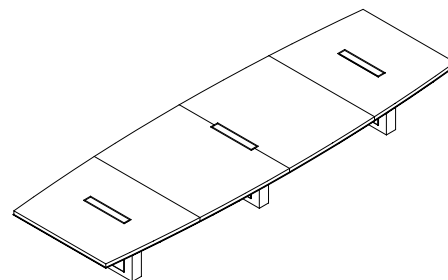
MA __	Microphone hole (factory cut)	Qty __ x 354 each
GM __	2" Grommet hole (factory cut), liner, lid, in matching metal finish	Qty __ x 466 each

Please consult [page 7](#) for the palette of DatesWeiser finishes. Natural stone, non-standard glass and veneer, and other technology options are available. Please email [customerservice@datesweiser.com](mailto:customerservice@datesweiser.com) for a custom quote. Consult technical information on [page 294](#) for construction details and technical information.

# Highline Fifty Boat Conference Table

72"x228"/ 18 Person

03B72X228



Starting Price: **\$54,006**

72x228 table, slab veneer Tier 1 top, open painted base with no metal trim, powder coat finish

Base Pattern Number: 03B72X228

## Step 1. Top Material

S	Slab (veneer only)	
V	Veneer layered	
G	Glass layered	
C	Corian layered	
Q	Caesarstone layered	

## Step 2. Base Options

ON	Open Base, no metal trim	+ 0
MC __	Open Base, MC metal trim	+4,930
PM01	Open Base, PM01 metal trim	+6,634
PM02	Open Base, PM02 metal trim	+6,634
PM03	Open Base, PM03 metal trim	+8,291

## Step 3. Edge Selection/Finish

N__	No Edge	+0
AU__	Spinneybeck Leather: Acqua	+\$5,742
MC__	Powder Coat	+0
PM01	Polished Chrome	+3,172
PM02	Satin Nickel	+3,172
PM03	Oil Rubbed Bronze	+8,224

## Step 4A. Top Finish

T1 __	Veneer Tier 1	+0
T2 __	Veneer Tier 2	+2,890
GC __	Clear Glass, back painted	+18,852
GE __	Etched matte Glass, back painted	+21,598
CS01	Corian Glacier White	+30,164
QS __	Caesarstone*	+59,701

## Step 4B. Lower Layer Finish (Layer top only)

SL __	Satin Lacquer	+1,271
T ___	Veneer Tier 1, 2, 3	+1,725
HG __	High Gloss Polyester	+1,897

## Step 5. Base Finish

T1 __	Veneer Tier 1	+1,386
T2 __	Veneer Tier 2	+3,318
SL __	Satin Lacquer	+0
HG __	High Gloss Polyester	+6,399

## Step 6. Power & Connectivity Access: Optional

DRHW	Drawer, Hardwired (layered edge only), Qty 8	+15,056
DRPI	Drawer, Plug In (layered edge only), Qty 8	+12,888
DRLK	Drawer, Linkable (layered edge only), Qty 8	+12,888
TMHW	Tabletop Metal lid, Hardwired, Qty 3	+12,390
TMPI	Tabletop Metal lid, Plug In, Qty 3	+10,557
TMLK	Tabletop Metal lid, Linkable, Qty 3	+9,006
TWHW	Tabletop Wood lid, Hardwired (veneer tops only), Qty 3	+11,355
TWPI	Tabletop Wood lid, Plug In (veneer tops only), Qty 3	+9,519
TWLK	Tabletop Wood lid, Linkable (veneer tops only), Qty 3	+7,974
UMHW	Undermount, Hardwired, Qty 8	+8,992
UMPI	Undermount, Plug In, Qty 8	+6,536
UMLK	Undermount, Linkable, Qty 8	+6,536
SOHW	Slide Out Power Box, Hardwired, Qty 8	+15,664
SOPI	Slide Out Power Box, Plug In, Qty 8	+13,288
SOLK	Slide Out Power Box, Linkable, Qty 8	+13,288

## Step 7. Microphone and/or Grommet Accommodations: Optional

MA __	Microphone hole (factory cut)	Qty __ x 354 each
GM __	2" Grommet hole (factory cut), liner, lid, in matching metal finish	Qty __ x 466 each

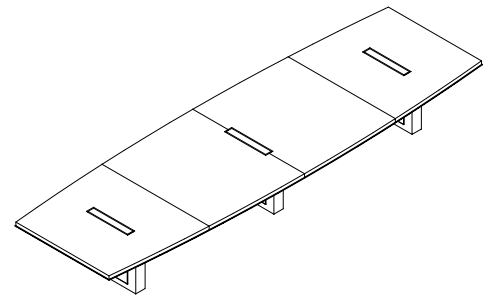
Please consult [page 7](#) for the palette of DatesWeiser finishes. Natural stone, non-standard glass and veneer, and other technology options are available. Please email [customerservice@datesweiser.com](mailto:customerservice@datesweiser.com) for a custom quote. Consult technical information on [page 294](#) for construction details and technical information.

\*Tables with a Caesarstone finish require a 5-section top.

# Highline Fifty Boat Conference Table

72"x240"/ 20 Person

03B72X240



Starting Price: **\$55,406**

72x240 table, slab veneer Tier 1 top, open painted base with no metal trim, powder coat finish

Base Pattern Number: 03B72X240

## Step 1. Top Material

S	Slab (veneer only)	
V	Veneer layered	
G	Glass layered	
C	Corian layered	
Q	Caesarstone layered	

## Step 2. Base Options

ON	Open Base, no metal trim	+ 0
MC __	Open Base, MC metal trim	+4,930
PM01	Open Base, PM01 metal trim	+6,634
PM02	Open Base, PM02 metal trim	+6,634
PM03	Open Base, PM03 metal trim	+8,291

## Step 3. Edge Selection/Finish

N__	No Edge	+0
AU__	Spinneybeck Leather: Acqua	+\$5,981
MC__	Powder Coat	+0
PM01	Polished Chrome	+3,172
PM02	Satin Nickel	+3,172
PM03	Oil Rubbed Bronze	+8,224

## Step 4A. Top Finish

T1 __	Veneer Tier 1	+0
T2 __	Veneer Tier 2	+3,043
GC __	Clear Glass, back painted	+19,845
GE __	Etched matte Glass, back painted	+23,814
CS01	Corian Glacier White	+31,752
QS __	Caesarstone*	+62,843

## Step 4B. Lower Layer Finish (Layer top only)

SL __	Satin Lacquer	+1,379
T ___	Veneer Tier 1, 2, 3	+1,800
HG __	High Gloss Polyester	+1,978

## Step 5. Base Finish

T1 __	Veneer Tier 1	+1,386
T2 __	Veneer Tier 2	+3,318
SL __	Satin Lacquer	+0
HG __	High Gloss Polyester	+6,399

## Step 6. Power & Connectivity Access: Optional

DRHW	Drawer, Hardwired (layered edge only), Qty 8	+15,056
DRPI	Drawer, Plug In (layered edge only), Qty 8	+12,888
DRLK	Drawer, Linkable (layered edge only), Qty 8	+12,888
TMHW	Tabletop Metal lid, Hardwired, Qty 3	+12,390
TMPI	Tabletop Metal lid, Plug In, Qty 3	+10,557
TMLK	Tabletop Metal lid, Linkable, Qty 3	+9,006
TWHW	Tabletop Wood lid, Hardwired (veneer tops only), Qty 3	+11,355
TWPI	Tabletop Wood lid, Plug In (veneer tops only), Qty 3	+9,519
TWLK	Tabletop Wood lid, Linkable (veneer tops only), Qty 3	+7,974
UMHW	Undermount, Hardwired, Qty 8	+8,992
UMPI	Undermount, Plug In, Qty 8	+6,536
UMLK	Undermount, Linkable, Qty 8	+6,536
SOHW	Slide Out Power Box, Hardwired, Qty 8	+15,664
SOPI	Slide Out Power Box, Plug In, Qty 8	+13,288
SOLK	Slide Out Power Box, Linkable, Qty 8	+13,288

## Step 7. Microphone and/or Grommet Accommodations: Optional

MA __	Microphone hole (factory cut)	Qty __ x 354 each
GM __	2" Grommet hole (factory cut), liner, lid, in matching metal finish	Qty __ x 466 each

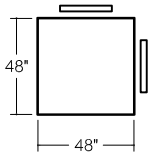
Please consult [page 7](#) for the palette of DatesWeiser finishes. Natural stone, non-standard glass and veneer, and other technology options are available. Please email [customerservice@datesweiser.com](mailto:customerservice@datesweiser.com) for a custom quote. Consult technical information on [page 294](#) for construction details and technical information.

\*Tables with a Caesarstone finish require a 5-section top.

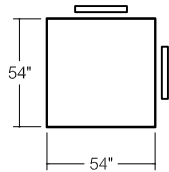


# Highline Fifty Square and Round Meeting Tables Index

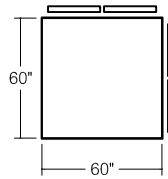
48"-72" width



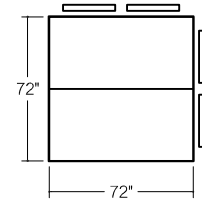
**03M48S**  
4 Person Table



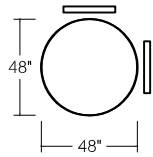
**03M54S**  
4 Person Table



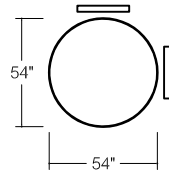
**03M60S**  
8 Person Table



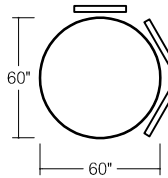
**03M72S**  
8 Person Table



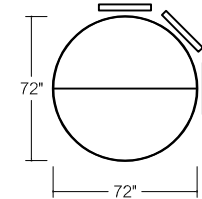
**03M48C**  
4 Person Table



**03M54C**  
4 Person Table



**03M60C**  
6 Person Table



**03M72C**  
8 Person Table

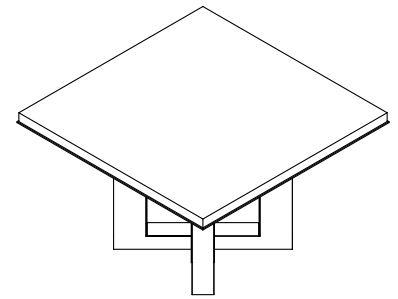




# Highline Fifty Square Meeting Table

48"x48"/ 4 Person

03M48S



Starting Price: 14,009

48x48 table, slab veneer Tier 1 top, open painted base with no metal trim, powder coat finish

Base Pattern Number: 03M48S

## Step 1. Top Material

S	Slab (veneer only)
V	Veneer layered
G	Glass layered
C	Corian layered
Q	Caesarstone layered

## Step 2. Base Options

ON	Open Base, no metal trim	+ 0
MC __	Open Base, MC metal trim	+4,724
PM01	Open Base, PM01 metal trim	+5,084
PM02	Open Base, PM02 metal trim	+5,084
PM03	Open Base, PM03 metal trim	+6,326

## Step 3. Edge Selection/Finish

N__	No Edge	+0
AU__	Spinneybeck Leather: Acqua	+\$1,517
MC__	Powder Coat	+0
PM01	Polished Chrome	+1,344
PM02	Satin Nickel	+1,344
PM03	Oil Rubbed Bronze	+3,354

## Step 4A. Top Finish

T1 __	Veneer Tier 1	+0
T2 __	Veneer Tier 2	+406
GC __	Clear Glass, back painted	+1,747
GE __	Etched matte Glass, back painted	+2,100
CS01	Corian Glacier White	+2,558
QS __	Caesarstone	+6,615

## Step 4B. Lower Layer Finish (Layer top only)

SL __	Satin Lacquer	+232
T ___	Veneer Tier 1, 2, 3	+351
HG __	High Gloss Polyester	+351

## Step 5. Base Finish

T1 __	Veneer Tier 1	+1,456
T2 __	Veneer Tier 2	+2,507
SL __	Satin Lacquer	+0
HG __	High Gloss Polyester	+5,006

## Step 6. Power & Connectivity Access: Optional

DRHW	Drawer, Hardwired (layered edge only), Qty 4	+7,528
DRPI	Drawer, Plug In (layered edge only), Qty 4	+6,444
DRLK	Drawer, Linkable (layered edge only), Qty 4	+6,444
HMHW	Tabletop Metal lid, Hardwired, Qty 1	+3,469
HMPI	Tabletop Metal lid, Plug In, Qty 1	+2,704
HMLK	Tabletop Metal lid, Linkable, Qty 1	+2,704
HWHW	Tabletop Wood lid, Hardwired, Qty 1	+4,370
HWPI	Tabletop Wood lid, Plug In, Qty 1	+3,407
HWLK	Tabletop Wood lid, Linkable, Qty 1	+3,407
UMHW	Undermount, Hardwired, Qty 4	+4,370
UMPI	Undermount, Plug In, Qty 4	+3,268
UMLK	Undermount, Linkable, Qty 4	+3,268
SOHW	Slide Out Power Box, Hardwired, Qty 4	+7,832
SOPI	Slide Out Power Box, Plug In, Qty 4	+6,644
SOLK	Slide Out Power Box, Linkable, Qty 4	+6,644

## Step 7. Microphone and/or Grommet Accommodations: Optional

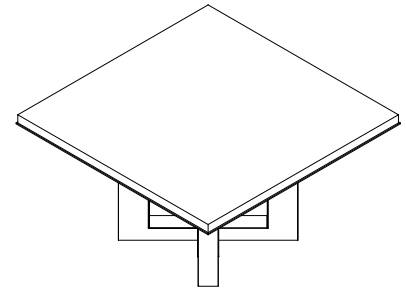
MA __	Microphone hole (factory cut)	Qty __ x 354 each
GM __	2" Grommet hole (factory cut), liner, lid, in matching metal finish	Qty __ x 466 each

Please consult [page 7](#) for the palette of DatesWeiser finishes. Natural stone, non-standard glass and veneer, and other technology options are available. Please email [customerservice@datesweiser.com](mailto:customerservice@datesweiser.com) for a custom quote. Consult technical information on [page 304](#) for construction details and technical information.

# Highline Fifty Square Meeting Table

54"x54" / 4 Person

03M54S



Starting Price: **\$15,100**

54x54 table, slab veneer Tier 1 top, open painted base with no metal trim, powder coat finish

Base Pattern Number: 03M54S

## Step 1. Top Material

S	Slab (veneer only)	
V	Veneer layered	
G	Glass layered	
C	Corian layered	
Q	Caesarstone layered	

## Step 2. Base Options

ON	Open Base, no metal trim	+ 0
MC __	Open Base, MC metal trim	+4,724
PM01	Open Base, PM01 metal trim	+5,084
PM02	Open Base, PM02 metal trim	+5,084
PM03	Open Base, PM03 metal trim	+6,326

## Step 3. Edge Selection/Finish

N__	No Edge	+0
AU__	Spinneybeck Leather: Acqua	+\$1,706
MC__	Powder Coat	+0
PM01	Polished Chrome	+1,441
PM02	Satin Nickel	+1,441
PM03	Oil Rubbed Bronze	+3,396

## Step 4A. Top Finish

T1 __	Veneer Tier 1	+0
T2 __	Veneer Tier 2	+514
GC __	Clear Glass, back painted	+2,210
GE __	Etched matte Glass, back painted	+2,657
CS01	Corian Glacier White	+3,237
QS __	Caesarstone	+8,373

## Step 4B. Lower Layer Finish (Layer top only)

SL __	Satin Lacquer	+249
T ___	Veneer Tier 1, 2, 3	+406
HG __	High Gloss Polyester	+406

## Step 5. Base Finish

T1 __	Veneer Tier 1	+1,456
T2 __	Veneer Tier 2	+2,507
SL __	Satin Lacquer	+0
HG __	High Gloss Polyester	+5,006

## Step 6. Power & Connectivity Access: Optional

DRHW	Drawer, Hardwired (layered edge only), Qty 4	+7,528
DRPI	Drawer, Plug In (layered edge only), Qty 4	+6,444
DRLK	Drawer, Linkable (layered edge only), Qty 4	+6,444
HMHW	Tabletop Metal lid, Hardwired, Qty 1	+3,469
HMPI	Tabletop Metal lid, Plug In, Qty 1	+2,704
HMLK	Tabletop Metal lid, Linkable, Qty 1	+2,704
HWHW	Tabletop Wood lid, Hardwired, Qty 1	+4,370
HWPI	Tabletop Wood lid, Plug In, Qty 1	+3,407
HWLK	Tabletop Wood lid, Linkable, Qty 1	+3,407
UMHW	Undermount, Hardwired, Qty 4	+4,370
UMPI	Undermount, Plug In, Qty 4	+3,268
UMLK	Undermount, Linkable, Qty 4	+3,268
SOHW	Slide Out Power Box, Hardwired, Qty 4	+7,832
SOPI	Slide Out Power Box, Plug In, Qty 4	+6,644
SOLK	Slide Out Power Box, Linkable, Qty 4	+6,644

## Step 7. Microphone and/or Grommet Accommodations: Optional

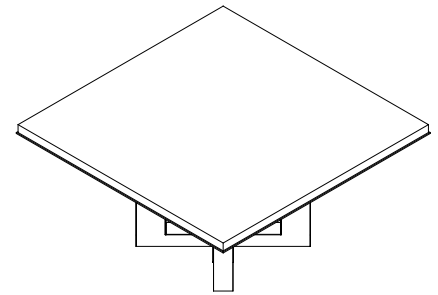
MA __	Microphone hole (factory cut)	Qty __ x 354 each
GM __	2" Grommet hole (factory cut), liner, lid, in matching metal finish	Qty __ x 466 each

Please consult [page 7](#) for the palette of DatesWeiser finishes. Natural stone, non-standard glass and veneer, and other technology options are available. Please email [customerservice@datesweiser.com](mailto:customerservice@datesweiser.com) for a custom quote. Consult technical information on [page 304](#) for construction details and technical information.

# Highline Fifty Square Meeting Table

60"x60"/ 8 Person

03M60S



Starting Price: **\$16,081**

60x60 table, slab veneer Tier 1 top, open painted base with no metal trim, powder coat finish

Base Pattern Number: 03M60S

## Step 1. Top Material

S	Slab (veneer only)	
V	Veneer layered	
G	Glass layered	
C	Corian layered	
Q	Caesarstone layered	

## Step 2. Base Options

ON	Open Base, no metal trim	+ 0
MC __	Open Base, MC metal trim	+4,724
PM01	Open Base, PM01 metal trim	+5,084
PM02	Open Base, PM02 metal trim	+5,084
PM03	Open Base, PM03 metal trim	+6,326

## Step 3. Edge Selection/Finish

N__	No Edge	+0
AU__	Spinneybeck Leather: Acqua	+\$1,896
MC__	Powder Coat	+0
PM01	Polished Chrome	+1,332
PM02	Satin Nickel	+1,332
PM03	Oil Rubbed Bronze	+3,354

## Step 4A. Top Finish

T1 __	Veneer Tier 1	+0
T2 __	Veneer Tier 2	+634
GC __	Clear Glass, back painted	+2,729
GE __	Etched matte Glass, back painted	+3,280
CS01	Corian Glacier White	+3,997
QS __	Caesarstone*	+10,336

## Step 4B. Lower Layer Finish (Layer top only)

SL __	Satin Lacquer	+334
T ___	Veneer Tier 1, 2, 3	+486
HG __	High Gloss Polyester	+486

## Step 5. Base Finish

T1 __	Veneer Tier 1	+1,611
T2 __	Veneer Tier 2	+2,784
SL __	Satin Lacquer	+0
HG __	High Gloss Polyester	+5,542

## Step 6. Power & Connectivity Access: Optional

DRHW	Drawer, Hardwired (layered edge only), Qty 4	+7,528
DRPI	Drawer, Plug In (layered edge only), Qty 4	+6,444
DRLK	Drawer, Linkable (layered edge only), Qty 4	+6,444
HMHW	Tabletop Metal lid, Hardwired, Qty 1	+3,469
HMPI	Tabletop Metal lid, Plug In, Qty 1	+2,704
HMLK	Tabletop Metal lid, Linkable, Qty 1	+2,704
HWHW	Tabletop Wood lid, Hardwired, Qty 1	+4,370
HWPI	Tabletop Wood lid, Plug In, Qty 1	+3,407
HWLK	Tabletop Wood lid, Linkable, Qty 1	+3,407
UMHW	Undermount, Hardwired, Qty 4	+4,370
UMPI	Undermount, Plug In, Qty 4	+3,268
UMLK	Undermount, Linkable, Qty 4	+3,268
SOHW	Slide Out Power Box, Hardwired, Qty 4	+7,832
SOPI	Slide Out Power Box, Plug In, Qty 4	+6,644
SOLK	Slide Out Power Box, Linkable, Qty 4	+6,644

## Step 7. Microphone and/or Grommet Accommodations: Optional

MA __	Microphone hole (factory cut)	Qty __ x 354 each
GM __	2" Grommet hole (factory cut), liner, lid, in matching metal finish	Qty __ x 466 each

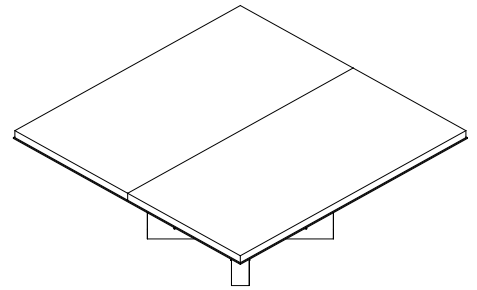
Please consult [page 7](#) for the palette of DatesWeiser finishes. Natural stone, non-standard glass and veneer, and other technology options are available. Please email [customerservice@datesweiser.com](mailto:customerservice@datesweiser.com) for a custom quote. Consult technical information on [page 304](#) for construction details and technical information.

\*Tables with a Caesarstone finish require a 2-section top.

# Highline Fifty Square Meeting Table

72"x72"/ 8 Person

03M72S



Starting Price: **\$19,256**

72x72 table, slab veneer Tier 1 top, open painted base with no metal trim, powder coat finish

Base Pattern Number: 03M72S

## Step 1. Top Material

S	Slab (veneer only)	
V	Veneer layered	
G	Glass layered	
C	Corian layered	
Q	Caesarstone layered	

## Step 2. Base Options

ON	Open Base, no metal trim	+ 0
MC __	Open Base, MC metal trim	+4,724
PM01	Open Base, PM01 metal trim	+5,084
PM02	Open Base, PM02 metal trim	+5,084
PM03	Open Base, PM03 metal trim	+6,326

## Step 3. Edge Selection/Finish

N__	No Edge	+0
AU__	Spinneybeck Leather: Acqua	+\$2,275
MC__	Powder Coat	+0
PM01	Polished Chrome	+1,140
PM02	Satin Nickel	+1,140
PM03	Oil Rubbed Bronze	+3,052

## Step 4A. Top Finish

T1 __	Veneer Tier 1	+0
T2 __	Veneer Tier 2	+913
GC __	Clear Glass, back painted	+3,930
GE __	Etched matte Glass, back painted	+4,724
CS01	Corian Glacier White	+5,755
QS __	Caesarstone	+14,884

## Step 4B. Lower Layer Finish (Layer top only)

SL __	Satin Lacquer	+432
T ___	Veneer Tier 1, 2, 3	+613
HG __	High Gloss Polyester	+613

## Step 5. Base Finish

T1 __	Veneer Tier 1	+1,611
T2 __	Veneer Tier 2	+2,784
SL __	Satin Lacquer	+0
HG __	High Gloss Polyester	+5,542

## Step 6. Power & Connectivity Access: Optional

DRHW	Drawer, Hardwired (layered edge only), Qty 4	+7,528
DRPI	Drawer, Plug In (layered edge only), Qty 4	+6,444
DRLK	Drawer, Linkable (layered edge only), Qty 4	+6,444
HMHW	Tabletop Metal lid, Hardwired, Qty 1	+3,469
HMPI	Tabletop Metal lid, Plug In, Qty 1	+2,704
HMLK	Tabletop Metal lid, Linkable, Qty 1	+2,704
HWHW	Tabletop Wood lid, Hardwired, Qty 1	+4,370
HWPI	Tabletop Wood lid, Plug In, Qty 1	+3,407
HWLK	Tabletop Wood lid, Linkable, Qty 1	+3,407
UMHW	Undermount, Hardwired, Qty 4	+4,370
UMPI	Undermount, Plug In, Qty 4	+3,268
UMLK	Undermount, Linkable, Qty 4	+3,268
SOHW	Slide Out Power Box, Hardwired, Qty 4	+7,832
SOPI	Slide Out Power Box, Plug In, Qty 4	+6,644
SOLK	Slide Out Power Box, Linkable, Qty 4	+6,644

## Step 7. Microphone and/or Grommet Accommodations: Optional

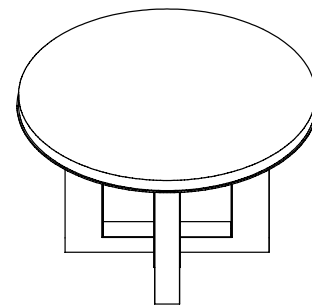
MA __	Microphone hole (factory cut)	Qty __ x 354 each
GM __	2" Grommet hole (factory cut), liner, lid, in matching metal finish	Qty __ x 466 each

Please consult [page 7](#) for the palette of DatesWeiser finishes. Natural stone, non-standard glass and veneer, and other technology options are available. Please email [customerservice@datesweiser.com](mailto:customerservice@datesweiser.com) for a custom quote. Consult technical information on [page 304](#) for construction details and technical information.

# Highline Fifty Round Meeting Table

48" / 4 Person

03M48C



Starting Price: **\$16,520**

48" table, slab veneer Tier 1 top, open painted base with no metal trim, powder coat finish

Base Pattern Number: 03M48C

## Step 1. Top Material

S	Slab (veneer only)
V	Veneer layered
G	Glass layered
C	Corian layered
Q	Caesarstone layered

## Step 2. Base Options

ON	Open Base, no metal trim	+ 0
MC __	Open Base, MC metal trim	+4,724
PM01	Open Base, PM01 metal trim	+5,084
PM02	Open Base, PM02 metal trim	+5,084
PM03	Open Base, PM03 metal trim	+6,326

## Step 3. Edge Selection/Finish

N__	No Edge	+0
AU__	Spinneybeck Leather: Acqua	+\$1,496
MC__	Powder Coat	+0
PM01	Polished Chrome	+322
PM02	Satin Nickel	+322
PM03	Oil Rubbed Bronze	+1,978

## Step 4A. Top Finish

T1 __	Veneer Tier 1	+0
T2 __	Veneer Tier 2	+406
GC __	Clear Glass, back painted	+2,646
GE __	Etched matte Glass, back painted	+3,175
CS01	Corian Glacier White	+4,233
QS __	Caesarstone	+8,379

## Step 4B. Lower Layer Finish (Layer top only)

SL __	Satin Lacquer	+225
T ___	Veneer Tier 1, 2, 3	+347
HG __	High Gloss Polyester	+347

## Step 5. Base Finish

T1 __	Veneer Tier 1	+1,456
T2 __	Veneer Tier 2	+2,507
SL __	Satin Lacquer	+0
HG __	High Gloss Polyester	+5,006

## Step 6. Power & Connectivity Access: Optional

DRHW	Drawer, Hardwired (layered edge only), Qty 4	+7,528
DRPI	Drawer, Plug In (layered edge only), Qty 4	+6,444
DRLK	Drawer, Linkable (layered edge only), Qty 4	+6,444
HMHW	Tabletop Metal lid, Hardwired, Qty 1	+3,469
HMPI	Tabletop Metal lid, Plug In, Qty 1	+2,704
HMLK	Tabletop Metal lid, Linkable, Qty 1	+2,704
HWHW	Tabletop Wood lid, Hardwired, Qty 1	+4,370
HWPI	Tabletop Wood lid, Plug In, Qty 1	+3,407
HWLK	Tabletop Wood lid, Linkable, Qty 1	+3,407
UMHW	Undermount, Hardwired, Qty 4	+4,370
UMPI	Undermount, Plug In, Qty 4	+3,268
UMLK	Undermount, Linkable, Qty 4	+3,268
SOHW	Slide Out Power Box, Hardwired, Qty 4	+7,832
SOPI	Slide Out Power Box, Plug In, Qty 4	+6,644
SOLK	Slide Out Power Box, Linkable, Qty 4	+6,644

## Step 7. Microphone and/or Grommet Accommodations: Optional

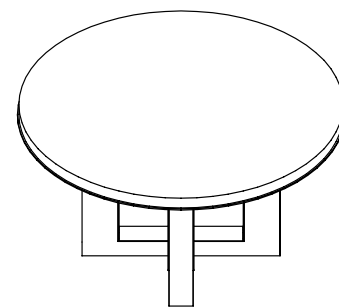
MA __	Microphone hole (factory cut)	Qty __ x 354 each
GM __	2" Grommet hole (factory cut), liner, lid, in matching metal finish	Qty __ x 466 each

Please consult [page 7](#) for the palette of DatesWeiser finishes. Natural stone, non-standard glass and veneer, and other technology options are available. Please email [customerservice@datesweiser.com](mailto:customerservice@datesweiser.com) for a custom quote. Consult technical information on [page 304](#) for construction details and technical information.

# Highline Fifty Round Meeting Table

54" / 4 Person

03M54C



Starting Price: **\$18,313**

54" table, slab veneer Tier 1 top, open painted base with no metal trim, powder coat finish

Base Pattern Number: 03M54C

## Step 1. Top Material

S	Slab (veneer only)	
V	Veneer layered	
G	Glass layered	
C	Corian layered	
Q	Caesarstone layered	

## Step 2. Base Options

ON	Open Base, no metal trim	+ 0
MC __	Open Base, MC metal trim	+4,724
PM01	Open Base, PM01 metal trim	+5,084
PM02	Open Base, PM02 metal trim	+5,084
PM03	Open Base, PM03 metal trim	+6,326

## Step 3. Edge Selection/Finish

N__	No Edge	+0
AU__	Spinneybeck Leather: Acqua	+\$1,683
MC__	Powder Coat	+0
PM01	Polished Chrome	+811
PM02	Satin Nickel	+811
PM03	Oil Rubbed Bronze	+1,602

## Step 4A. Top Finish

T1 __	Veneer Tier 1	+0
T2 __	Veneer Tier 2	+514
GC __	Clear Glass, back painted	+3,347
GE __	Etched matte Glass, back painted	+4,018
CS01	Corian Glacier White	+5,358
QS __	Caesarstone	+10,604

## Step 4B. Lower Layer Finish (Layer top only)

SL __	Satin Lacquer	+279
T ___	Veneer Tier 1, 2, 3	+438
HG __	High Gloss Polyester	+438

## Step 5. Base Finish

T1 __	Veneer Tier 1	+1,456
T2 __	Veneer Tier 2	+2,507
SL __	Satin Lacquer	+0
HG __	High Gloss Polyester	+5,006

## Step 6. Power & Connectivity Access: Optional

DRHW	Drawer, Hardwired (layered edge only), Qty 4	+7,528
DRPI	Drawer, Plug In (layered edge only), Qty 4	+6,444
DRLK	Drawer, Linkable (layered edge only), Qty 4	+6,444
HMHW	Tabletop Metal lid, Hardwired, Qty 1	+3,469
HMPI	Tabletop Metal lid, Plug In, Qty 1	+2,704
HMLK	Tabletop Metal lid, Linkable, Qty 1	+2,704
HWHW	Tabletop Wood lid, Hardwired, Qty 1	+4,370
HWPI	Tabletop Wood lid, Plug In, Qty 1	+3,407
HWLK	Tabletop Wood lid, Linkable, Qty 1	+3,407
UMHW	Undermount, Hardwired, Qty 4	+4,370
UMPI	Undermount, Plug In, Qty 4	+3,268
UMLK	Undermount, Linkable, Qty 4	+3,268
SOHW	Slide Out Power Box, Hardwired, Qty 4	+7,832
SOPI	Slide Out Power Box, Plug In, Qty 4	+6,644
SOLK	Slide Out Power Box, Linkable, Qty 4	+6,644

## Step 7. Microphone and/or Grommet Accommodations: Optional

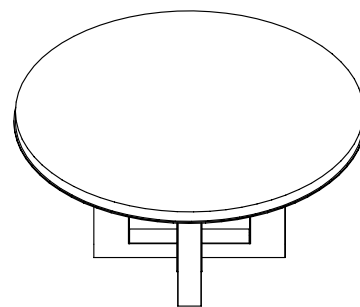
MA __	Microphone hole (factory cut)	Qty __ x 354 each
GM __	2" Grommet hole (factory cut), liner, lid, in matching metal finish	Qty __ x 466 each

Please consult [page 7](#) for the palette of DatesWeiser finishes. Natural stone, non-standard glass and veneer, and other technology options are available. Please email [customerservice@datesweiser.com](mailto:customerservice@datesweiser.com) for a custom quote. Consult technical information on [page 304](#) for construction details and technical information.

# Highline Fifty Round Meeting Table

60" / 6 Person

03M60C



Starting Price: **\$19,231**

60" table, slab veneer Tier 1 top, open painted base with no metal trim, powder coat finish

Base Pattern Number: 03M60C

## Step 1. Top Material

S	Slab (veneer only)	
V	Veneer layered	
G	Glass layered	
C	Corian layered	
Q	Caesarstone layered	

## Step 2. Base Options

ON	Open Base, no metal trim	+ 0
MC __	Open Base, MC metal trim	+4,724
PM01	Open Base, PM01 metal trim	+5,084
PM02	Open Base, PM02 metal trim	+5,084
PM03	Open Base, PM03 metal trim	+6,326

## Step 3. Edge Selection/Finish

N__	No Edge	+0
AU__	Spinneybeck Leather: Acqua	+\$1,870
MC__	Powder Coat	+0
PM01	Polished Chrome	+450
PM02	Satin Nickel	+450
PM03	Oil Rubbed Bronze	+1,935

## Step 4A. Top Finish

T1 __	Veneer Tier 1	+0
T2 __	Veneer Tier 2	+634
GC __	Clear Glass, back painted	+4,135
GE __	Etched matte Glass, back painted	+4,961
CS01	Corian Glacier White	+6,615
QS __	Caesarstone*	+13,092

## Step 4B. Lower Layer Finish (Layer top only)

SL __	Satin Lacquer	+323
T ___	Veneer Tier 1, 2, 3	+499
HG __	High Gloss Polyester	+499

## Step 5. Base Finish

T1 __	Veneer Tier 1	+1,611
T2 __	Veneer Tier 2	+2,784
SL __	Satin Lacquer	+0
HG __	High Gloss Polyester	+5,542

## Step 6. Power & Connectivity Access: Optional

DRHW	Drawer, Hardwired (layered edge only), Qty 4	+7,528
DRPI	Drawer, Plug In (layered edge only), Qty 4	+6,444
DRLK	Drawer, Linkable (layered edge only), Qty 4	+6,444
HMHW	Tabletop Metal lid, Hardwired, Qty 1	+3,469
HMPI	Tabletop Metal lid, Plug In, Qty 1	+2,704
HMLK	Tabletop Metal lid, Linkable, Qty 1	+2,704
HWHW	Tabletop Wood lid, Hardwired, Qty 1	+4,370
HWPI	Tabletop Wood lid, Plug In, Qty 1	+3,407
HWLK	Tabletop Wood lid, Linkable, Qty 1	+3,407
UMHW	Undermount, Hardwired, Qty 4	+4,370
UMPI	Undermount, Plug In, Qty 4	+3,268
UMLK	Undermount, Linkable, Qty 4	+3,268
SOHW	Slide Out Power Box, Hardwired, Qty 4	+7,832
SOPI	Slide Out Power Box, Plug In, Qty 4	+6,644
SOLK	Slide Out Power Box, Linkable, Qty 4	+6,644

## Step 7. Microphone and/or Grommet Accommodations: Optional

MA __	Microphone hole (factory cut)	Qty __ x 354 each
GM __	2" Grommet hole (factory cut), liner, lid, in matching metal finish	Qty __ x 466 each

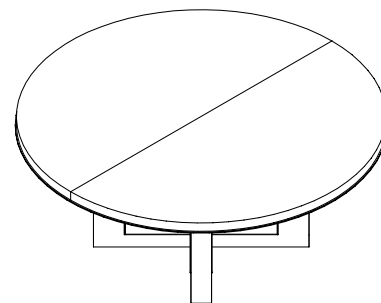
Please consult [page 7](#) for the palette of DatesWeiser finishes. Natural stone, non-standard glass and veneer, and other technology options are available. Please email [customerservice@datesweiser.com](mailto:customerservice@datesweiser.com) for a custom quote. Consult technical information on [page 304](#) for construction details and technical information.



# Highline Fifty Round Meeting Table

72" / 8 Person

03M72C



Starting Price: **\$22,531**

72" table, slab veneer Tier 1 top, open painted base with no metal trim, powder coat finish

Base Pattern Number: 03M72C

### Step 1. Top Material

S	Slab (veneer only)	
V	Veneer layered	
G	Glass layered	
C	Corian layered	
Q	Caesarstone layered	

### Step 2. Base Options

ON	Open Base, no metal trim	+ 0
MC __	Open Base, MC metal trim	+4,724
PM01	Open Base, PM01 metal trim	+5,084
PM02	Open Base, PM02 metal trim	+5,084
PM03	Open Base, PM03 metal trim	+6,326

### Step 3. Edge Selection/Finish

N__	No Edge	+0
AU__	Spinneybeck Leather: Acqua	+\$2,245
MC__	Powder Coat	+0
PM01	Polished Chrome	+450
PM02	Satin Nickel	+450
PM03	Oil Rubbed Bronze	+1,935

### Step 4A. Top Finish

T1 __	Veneer Tier 1	+0
T2 __	Veneer Tier 2	+912
GC __	Clear Glass, back painted	+5,953
GE __	Etched matte Glass, back painted	+7,144
CS01	Corian Glacier White	+9,526
QS __	Caesarstone	+18,853

### Step 4B. Lower Layer Finish (Layer top only)

SL __	Satin Lacquer	+395
T ___	Veneer Tier 1, 2, 3	+595
HG __	High Gloss Polyester	+595

### Step 5. Base Finish

T1 __	Veneer Tier 1	+1,611
T2 __	Veneer Tier 2	+2,784
SL __	Satin Lacquer	+0
HG __	High Gloss Polyester	+5,542

### Step 6. Power & Connectivity Access: Optional

DRHW	Drawer, Hardwired (layered edge only), Qty 4	+7,528
DRPI	Drawer, Plug In (layered edge only), Qty 4	+6,444
DRLK	Drawer, Linkable (layered edge only), Qty 4	+6,444
HMHW	Tabletop Metal lid, Hardwired, Qty 1	+3,469
HMPI	Tabletop Metal lid, Plug In, Qty 1	+2,704
HMLK	Tabletop Metal lid, Linkable, Qty 1	+2,704
HWHW	Tabletop Wood lid, Hardwired, Qty 1	+4,370
HWPI	Tabletop Wood lid, Plug In, Qty 1	+3,407
HWLK	Tabletop Wood lid, Linkable, Qty 1	+3,407
UMHW	Undermount, Hardwired, Qty 4	+4,370
UMPI	Undermount, Plug In, Qty 4	+3,268
UMLK	Undermount, Linkable, Qty 4	+3,268
SOHW	Slide Out Power Box, Hardwired, Qty 4	+7,832
SOPI	Slide Out Power Box, Plug In, Qty 4	+6,644
SOLK	Slide Out Power Box, Linkable, Qty 4	+6,644

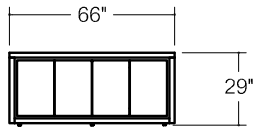
### Step 7. Microphone and/or Grommet Accommodations: Optional

MA __	Microphone hole (factory cut)	Qty __ x 354 each
GM __	2" Grommet hole (factory cut), liner, lid, in matching metal finish	Qty __ x 466 each

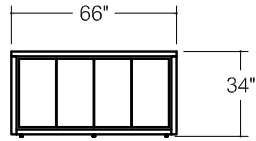
Please consult [page 7](#) for the palette of DatesWeiser finishes. Natural stone, non-standard glass and veneer, and other technology options are available. Please email [customerservice@datesweiser.com](mailto:customerservice@datesweiser.com) for a custom quote. Consult technical information on [page 304](#) for construction details and technical information.

# Highline Fifty Credenzas Index

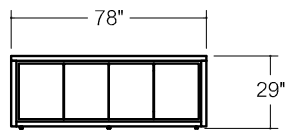
66"–114" width



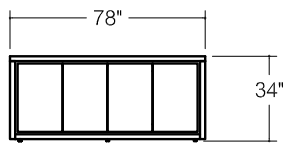
03C66C



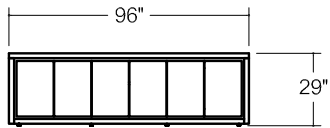
03C66B



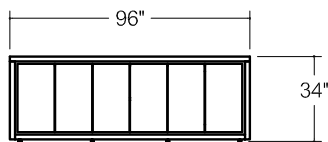
03C78C



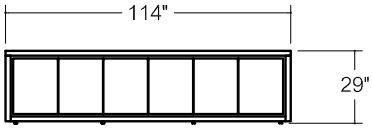
03C78B



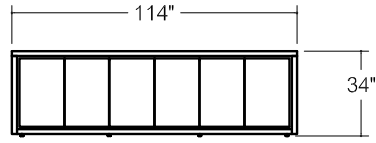
03C96C



03C96B



03C114C

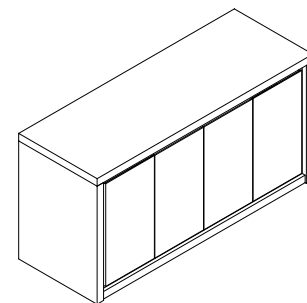


03C114B

# Highline Fifty Credenza

66" Long, 34" Buffet Height

03C66B



Starting Price: **\$13,068**

66" credenza, 34" high, no top, all doors, satin lacquer case and doors, matching interior finish reveal

Pattern Number: 03C66B

## Step 1. Top

NT	No top
FT	Full Top

## Step 2. Top Finish (not applicable in 'no top' configuration)

GC00	Clear Glass	+2,280
GC __	Clear Glass, back painted	+2,667
GE __	Etched matte Glass, back painted	+2,885
CS01	Corian Glacier White	+3,006
QS __	Caesarstone	+4,211

## Step 3. Shell Finish

SL __	Satin Lacquer	+0
T1	Veneer Tier 1	+1,980
T2	Veneer Tier 2	+3,426
HG __	High Gloss Polyester	+6,629

## Step 4. Reveal Finish

MI __	Match Interior	+0
MC __	Powder Coat	+639
PM01	Polished Chrome	+639
PM02	Satin Nickel	+639
PM03	Oil Rubbed Bronze	+639

## Step 5. Interior Finish

SL __	Satin Lacquer	+0
T1 __	Veneer Tier 1	+1,203
T2 __	Veneer Tier 2	+1,446
HG __	High Gloss Polyester	+4,917

## Step 6. Door/Drawer Face Finish

SL __	Satin Lacquer	+0
T1 __	Veneer Tier 1	+590
T2 __	Veneer Tier 2	+1,148
HG __	High Gloss Polyester	+2,492

## Step 7. Configuration

Specify Left to Right: Select single or double space components for 4 available positions. When any double space component is selected, insert code in desired starting position and XXXX in subsequent position.

03 ____ B	Position 1
03 ____ B	Position 2
03 ____ B	Position 3
03 ____ B	Position 4

## DOUBLE SPACE COMPONENTS

03DR30B	Doors w/adjustable shelf	0
03FF30B	Lateral File over Lateral File	377
03OF30B	Open over Lateral File	352
03DD30B	Drawer over Doors	462
03TP30B	Trash Pullout	1,191
03AV30B	2 Door AV	425

## SINGLE SPACE COMPONENTS

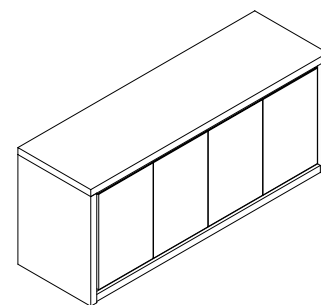
03DR15B	Door w/adjustable shelf	0
03FF15B	File over File	189
03OF15B	Open over File	176
03DD15B	Drawer over Door	230
03TP15B	Trash Pullout	595

Please consult [page 7](#) for the palette of DatesWeiser finishes. Natural stone, non-standard glass and veneer, and other technology options are available. Please email [customerservice@datesweiser.com](mailto:customerservice@datesweiser.com) for a custom quote. Consult technical information on [page 313](#) for construction details and technical information.

# Highline Fifty Credenza

78" Long, 34" Buffet Height

03C78B



Starting Price: **\$14,115**

78" credenza, 34" high, no top, all doors, satin lacquer case and doors, matching interior finish reveal

Pattern Number: 03C78B

## Step 1. Top

NT	No top
FT	Full Top

## Step 2. Top Finish (not applicable in 'no top' configuration)

GC00	Clear Glass	+2,286
GC __	Clear Glass, back painted	+2,673
GE __	Etched matte Glass, back painted	+2,892
CS01	Corian Glacier White	+3,015
QS __	Caesarstone	+4,218

## Step 3. Shell Finish

SL __	Satin Lacquer	+0
T1	Veneer Tier 1	+2,096
T2	Veneer Tier 2	+3,681
HG __	High Gloss Polyester	+7,260

## Step 4. Reveal Finish

MI __	Match Interior	+0
MC __	Powder Coat	+639
PM01	Polished Chrome	+639
PM02	Satin Nickel	+639
PM03	Oil Rubbed Bronze	+639

## Step 5. Interior Finish

SL __	Satin Lacquer	+0
T1 __	Veneer Tier 1	+1,349
T2 __	Veneer Tier 2	+2,654
HG __	High Gloss Polyester	+5,629

## Step 6. Door/Drawer Face Finish

SL __	Satin Lacquer	+0
T1 __	Veneer Tier 1	+590
T2 __	Veneer Tier 2	+1,148
HG __	High Gloss Polyester	+2,492

## Step 7. Configuration

Specify Left to Right: Select single or double space components for 4 available positions. When any double space component is selected, insert code in desired starting position and XXXX in subsequent position.

03 ____ B	Position 1
03 ____ B	Position 2
03 ____ B	Position 3
03 ____ B	Position 4

## DOUBLE SPACE COMPONENTS

03DR36B	Doors w/adjustable shelf	+0
03FF36B	Lateral File over Lateral File	389
03OF36B	Open over Lateral File	365
03DD36B	Drawer over Doors	475
03TP36B	Trash Pullout	1,203
03AV36B	2 Door AV	509

## SINGLE SPACE COMPONENTS

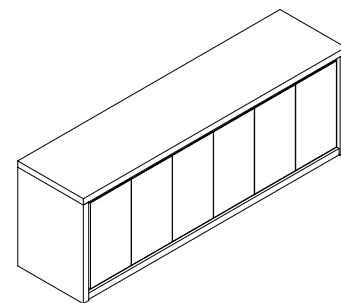
03DR18B	Door w/adjustable shelf	0
03FF18B	File over File	194
03OF18B	Open over File	183
03DD18B	Drawer over Door	237
03TP18B	Trash Pullout	602

Please consult [page 7](#) for the palette of DatesWeiser finishes. Natural stone, non-standard glass and veneer, and other technology options are available. Please email [customerservice@datesweiser.com](mailto:customerservice@datesweiser.com) for a custom quote. Consult technical information on [page 313](#) for construction details and technical information.

# Highline Fifty Credenza

96" Long, 34" Buffet Height

03C96B



Starting Price: **\$16,933**

96" credenza, 34" high, no top, all doors, satin lacquer case and doors, matching interior finish reveal

Pattern Number: 03C96B

## Step 1. Top

NT	No top
FT	Full Top

## Step 2. Top Finish (not applicable in 'no top' configuration)

GC00	Clear Glass	+2,839
GC __	Clear Glass, back painted	+3,299
GE __	Etched matte Glass, back painted	+3,578
CS01	Corian Glacier White	+3,791
QS __	Caesarstone	+5,308

## Step 3. Shell Finish

SL __	Satin Lacquer	+0
T1	Veneer Tier 1	+2,309
T2	Veneer Tier 2	+4,108
HG __	High Gloss Polyester	+8,231

## Step 4. Reveal Finish

MI __	Match Interior	+0
MC __	Powder Coat	+639
PM01	Polished Chrome	+639
PM02	Satin Nickel	+639
PM03	Oil Rubbed Bronze	+639

## Step 5. Interior Finish

SL __	Satin Lacquer	+0
T1 __	Veneer Tier 1	+1,725
T2 __	Veneer Tier 2	+3,366
HG __	High Gloss Polyester	+7,119

## Step 6. Door/Drawer Face Finish

SL __	Satin Lacquer	+0
T1 __	Veneer Tier 1	+851
T2 __	Veneer Tier 2	+1,659
HG __	High Gloss Polyester	+4,052

## Step 7. Configuration

Specify Left to Right: Select single or double space components for 6 available positions. When any double space component is selected, insert code in desired starting position and XXXX in subsequent position.

03 ____ B	Position 1
03 ____ B	Position 2
03 ____ B	Position 3
03 ____ B	Position 4
03 ____ B	Position 5
03 ____ B	Position 6

## DOUBLE SPACE COMPONENTS

03DR30B	Doors w/adjustable shelf	0
03FF30B	Lateral File over Lateral File	+377
03OF30B	Open over Lateral File	+352
03DD30B	Drawer over Doors	+462
03TP30B	Trash Pullout	+1,191
03AV30B	2 Door AV	+425

## SINGLE SPACE COMPONENTS

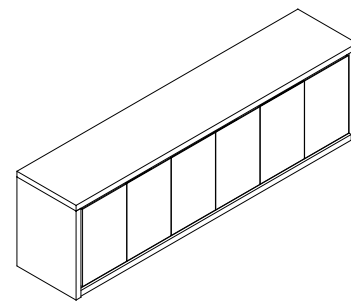
03DR15B	Door w/adjustable shelf	0
03FF15B	File over File	+189
03OF15B	Open over File	+176
03DD15B	Drawer over Door	+230
03TP15B	Trash Pullout	+595

Please consult [page 7](#) for the palette of DatesWeiser finishes. Natural stone, non-standard glass and veneer, and other technology options are available. Please email [customerservice@datesweiser.com](mailto:customerservice@datesweiser.com) for a custom quote. Consult technical information on [page 313](#) for construction details and technical information.

# Highline Fifty Credenza

114" Long, 34" Buffet Height

03C114B



Starting Price: **\$18,462**

114" credenza, 34" high, no top, all doors, satin lacquer case and doors, matching interior finish reveal

Pattern Number: 03C114B

## Step 1. Top

NT	No top
FT	Full Top

## Step 2. Top Finish (not applicable in 'no top' configuration)

GC00	Clear Glass	+4,359
GC__	Clear Glass, back painted	+5,000
GE__	Etched matte Glass, back painted	+5,359
CS01	Corian Glacier White	+5,565
QS__	Caesarstone	+7,791

## Step 3. Shell Finish

SL__	Satin Lacquer	+0
T1	Veneer Tier 1	+2,478
T2	Veneer Tier 2	+4,477
HG__	High Gloss Polyester	+9,211

## Step 4. Reveal Finish

ML_	Match Interior	+0
MC__	Powder Coat	+735
PM01	Polished Chrome	+735
PM02	Satin Nickel	+735
PM03	Oil Rubbed Bronze	+735

## Step 5. Interior Finish

SL__	Satin Lacquer	+0
T1__	Veneer Tier 1	+1,842
T2__	Veneer Tier 2	+3,754
HG__	High Gloss Polyester	+8,086

## Step 6. Door/Drawer Face Finish

SL__	Satin Lacquer	+0
T1__	Veneer Tier 1	+905
T2__	Veneer Tier 2	+1,853
HG__	High Gloss Polyester	+4,350

## Step 7. Configuration

Specify Left to Right: Select single or double space components for 6 available positions. When any double space component is selected, insert code in desired starting position and XXXX in subsequent position.

03 ____ B	Position 1
03 ____ B	Position 2
03 ____ B	Position 3
03 ____ B	Position 4
03 ____ B	Position 5
03 ____ B	Position 6

## DOUBLE SPACE COMPONENTS

03DR36B	Doors w/adjustable shelf	+0
03FF36B	Lateral File over Lateral File	389
03OF36B	Open over Lateral File	365
03DD36B	Drawer over Doors	475
03TP36B	Trash Pullout	1,203
03AV36B	2 Door AV	509

## SINGLE SPACE COMPONENTS

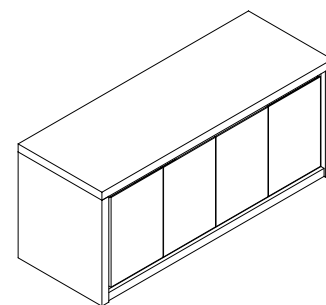
03DR18B	Door w/adjustable shelf	0
03FF18B	File over File	194
03OF18B	Open over File	183
03DD18B	Drawer over Door	237
03TP18B	Trash Pullout	602

Please consult [page 7](#) for the palette of DatesWeiser finishes. Natural stone, non-standard glass and veneer, and other technology options are available. Please email [customerservice@datesweiser.com](mailto:customerservice@datesweiser.com) for a custom quote. Consult technical information on [page 313](#) for construction details and technical information.

# Highline Fifty Credenza

66" Long, 29" Conference Height

03C66C



Starting Price: **\$13,068**

66" credenza, 29" high, no top, all doors, satin lacquer case and doors, matching interior finish reveal

Pattern Number: 03C66C

## Step 1. Top

NT	No top
FT	Full Top

## Step 2. Top Finish (not applicable in 'no top' configuration)

GC00	Clear Glass	+2,280
GC __	Clear Glass, back painted	+2,667
GE __	Etched matte Glass, back painted	+2,885
CS01	Corian Glacier White	+3,006
QS __	Caesarstone	+4,211

## Step 3. Shell Finish

SL __	Satin Lacquer	+0
T1	Veneer Tier 1	+1,980
T2	Veneer Tier 2	+3,426
HG __	High Gloss Polyester	+6,629

## Step 4. Reveal Finish

MI __	Match Interior	+0
MC __	Powder Coat	+639
PM01	Polished Chrome	+639
PM02	Satin Nickel	+639
PM03	Oil Rubbed Bronze	+639

## Step 5. Interior Finish

SL __	Satin Lacquer	+0
T1 __	Veneer Tier 1	+1,203
T2 __	Veneer Tier 2	+1,446
HG __	High Gloss Polyester	+4,917

## Step 6. Door/Drawer Face Finish

SL __	Satin Lacquer	+0
T1 __	Veneer Tier 1	+590
T2 __	Veneer Tier 2	+1,148
HG __	High Gloss Polyester	+2,492

## Step 7. Configuration

Specify Left to Right: Select single or double space components for 4 available positions. When any double space component is selected, insert code in desired starting position and XXXX in subsequent position.

03 ____ B	Position 1
03 ____ B	Position 2
03 ____ B	Position 3
03 ____ B	Position 4

## DOUBLE SPACE COMPONENTS

03DR30B	Doors w/adjustable shelf	0
03FF30B	Lateral File over Lateral File	+377
03OF30B	Open over Lateral File	+352
03DD30B	Drawer over Doors	+462
03TP30B	Trash Pullout	+1,191
03AV30B	2 Door AV	+425

## SINGLE SPACE COMPONENTS

03DR15B	Door w/adjustable shelf	0
03FF15B	File over File	+189
03OF15B	Open over File	+176
03DD15B	Drawer over Door	+230
03TP15B	Trash Pullout	+595

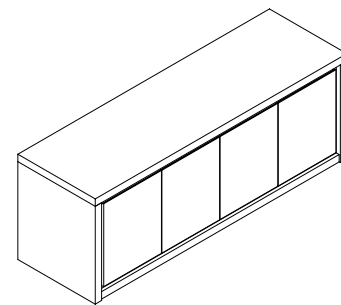
Please consult [page 7](#) for the palette of DatesWeiser finishes. Natural stone, non-standard glass and veneer, and other technology options are available. Please email [customerservice@datesweiser.com](mailto:customerservice@datesweiser.com) for a custom quote. Consult technical information on [page 313](#) for construction details and technical information.



# Highline Fifty Credenza

78" Long, 29" Conference Height

03C78C



Starting Price: **\$13,443**

78" credenza, 29" high, no top, all doors, satin lacquer case and doors, matching interior finish reveal

Pattern Number: 03C78C

## Step 1. Top

NT	No top
FT	Full Top

## Step 2. Top Finish (not applicable in 'no top' configuration)

GC00	Clear Glass	+2,177
GC __	Clear Glass, back painted	+2,546
GE __	Etched matte Glass, back painted	+2,754
CS01	Corian Glacier White	+2,871
QS __	Caesarstone	+4,017

## Step 3. Shell Finish

SL __	Satin Lacquer	+0
T1	Veneer Tier 1	+1,996
T2	Veneer Tier 2	+3,506
HG __	High Gloss Polyester	+6,914

## Step 4. Reveal Finish

MI __	Match Interior	+0
MC __	Powder Coat	+609
PM01	Polished Chrome	+609
PM02	Satin Nickel	+609
PM03	Oil Rubbed Bronze	+609

## Step 5. Interior Finish

SL __	Satin Lacquer	+0
T1 __	Veneer Tier 1	+1,285
T2 __	Veneer Tier 2	+2,528
HG __	High Gloss Polyester	+5,361

## Step 6. Door/Drawer Face Finish

SL __	Satin Lacquer	+0
T1 __	Veneer Tier 1	+562
T2 __	Veneer Tier 2	+1,093
HG __	High Gloss Polyester	+2,373

## Step 7. Configuration

Specify Left to Right: Select single or double space components for 4 available positions. When any double space component is selected, insert code in desired starting position and XXXX in subsequent position.

03 ____ C	Position 1
03 ____ C	Position 2
03 ____ C	Position 3
03 ____ C	Position 4

## DOUBLE SPACE COMPONENTS

03DR36C	Doors w/adjustable shelf	0
03FF36C	Drawer over Lateral File	370
03OF36C	Open over Lateral File	348
03DD36C	Drawer over Doors	452
03TP36C	Trash Pullout	1,146
03AV36C	2 Door AV	485

## SINGLE SPACE COMPONENTS

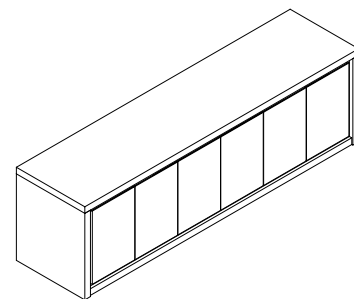
03DR18C	Door w/adjustable shelf	0
03FF18C	Drawer over File	185
03OF85C	Open over File	176
03DD18C	Drawer over Door	226
03TP18C	Trash Pullout	573

Please consult [page 7](#) for the palette of DatesWeiser finishes. Natural stone, non-standard glass and veneer, and other technology options are available. Please email [customerservice@datesweiser.com](mailto:customerservice@datesweiser.com) for a custom quote. Consult technical information on [page 313](#) for construction details and technical information.

# Highline Fifty Credenza

96" Long, 29" Conference Height

03C96C



Starting Price: **\$16,933**

96" credenza, 29" high, no top, all doors, satin lacquer case and doors, matching interior finish reveal

Pattern Number: 03C96C

## Step 1. Top

NT	No top
FT	Full Top

## Step 2. Top Finish (not applicable in 'no top' configuration)

GC00	Clear Glass	+2,839
GC __	Clear Glass, back painted	+3,299
GE __	Etched matte Glass, back painted	+3,578
CS01	Corian Glacier White	+3,791
QS __	Caesarstone	+5,308

## Step 3. Shell Finish

SL __	Satin Lacquer	+0
T1	Veneer Tier 1	+2,309
T2	Veneer Tier 2	+4,108
HG __	High Gloss Polyester	+8,231

## Step 4. Reveal Finish

MI __	Match Interior	+0
MC __	Powder Coat	+639
PM01	Polished Chrome	+639
PM02	Satin Nickel	+639
PM03	Oil Rubbed Bronze	+639

## Step 5. Interior Finish

SL __	Satin Lacquer	+0
T1 __	Veneer Tier 1	+1,725
T2 __	Veneer Tier 2	+3,366
HG __	High Gloss Polyester	+7,119

## Step 6. Door/Drawer Face Finish

SL __	Satin Lacquer	+0
T1 __	Veneer Tier 1	+851
T2 __	Veneer Tier 2	+1,659
HG __	High Gloss Polyester	+4,052

## Step 7. Configuration

Specify Left to Right: Select single or double space components for 6 available positions. When any double space component is selected, insert code in desired starting position and XXXX in subsequent position.

03 ____ B	Position 1
03 ____ B	Position 2
03 ____ B	Position 3
03 ____ B	Position 4
03 ____ B	Position 5
03 ____ B	Position 6

## DOUBLE SPACE COMPONENTS

03DR30B	Doors w/adjustable shelf	0
03FF30B	Lateral File over Lateral File	377
03OF30B	Open over Lateral File	352
03DD30B	Drawer over Doors	462
03TP30B	Trash Pullout	1,191
03AV30B	2 Door AV	425

## SINGLE SPACE COMPONENTS

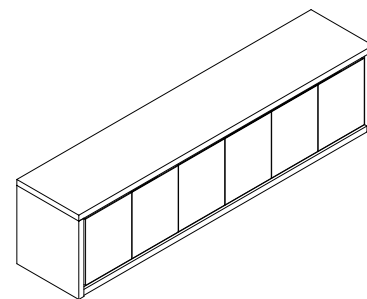
03DR15B	Door w/adjustable shelf	0
03FF15B	File over File	189
03OF15B	Open over File	176
03DD15B	Drawer over Door	230
03TP15B	Trash Pullout	595

Please consult [page 7](#) for the palette of DatesWeiser finishes. Natural stone, non-standard glass and veneer, and other technology options are available. Please email [customerservice@datesweiser.com](mailto:customerservice@datesweiser.com) for a custom quote. Consult technical information on [page 313](#) for construction details and technical information.

# Highline Fifty Credenza

114" Long, 29" Conference Height

03C114C



Starting Price: **\$18,462**

114" credenza, 29" high, no top, all doors, satin lacquer case and doors, matching interior finish reveal

Pattern Number: 03C114C

## Step 1. Top

NT	No top
FT	Full Top

## Step 2. Top Finish (not applicable in 'no top' configuration)

GC00	Clear Glass	+4,359
GC__	Clear Glass, back painted	+5,000
GE__	Etched matte Glass, back painted	+5,359
CS01	Corian Glacier White	+5,565
QS__	Caesarstone	+7,791

## Step 3. Shell Finish

SL__	Satin Lacquer	+0
T1	Veneer Tier 1	+2,478
T2	Veneer Tier 2	+4,477
HG__	High Gloss Polyester	+9,211

## Step 4. Reveal Finish

MI__	Match Interior	+0
MC__	Powder Coat	+735
PM01	Polished Chrome	+735
PM02	Satin Nickel	+735
PM03	Oil Rubbed Bronze	+735

## Step 5. Interior Finish

SL__	Satin Lacquer	+0
T1__	Veneer Tier 1	+1,842
T2__	Veneer Tier 2	+3,754
HG__	High Gloss Polyester	+8,086

## Step 6. Door/Drawer Face Finish

SL__	Satin Lacquer	+0
T1__	Veneer Tier 1	+905
T2__	Veneer Tier 2	+1,853
HG__	High Gloss Polyester	+4,350

## Step 7. Configuration

Specify Left to Right: Select single or double space components for 6 available positions. When any double space component is selected, insert code in desired starting position and XXXX in subsequent position.

03____B	Position 1
03____B	Position 2
03____B	Position 3
03____B	Position 4
03____B	Position 5
03____B	Position 6

## DOUBLE SPACE COMPONENTS

03DR36B	Doors w/adjustable shelf	+0
03FF36B	Lateral File over Lateral File	389
03OF36B	Open over Lateral File	365
03DD36B	Drawer over Doors	475
03TP36B	Trash Pullout	1,203
03AV36B	2 Door AV	509

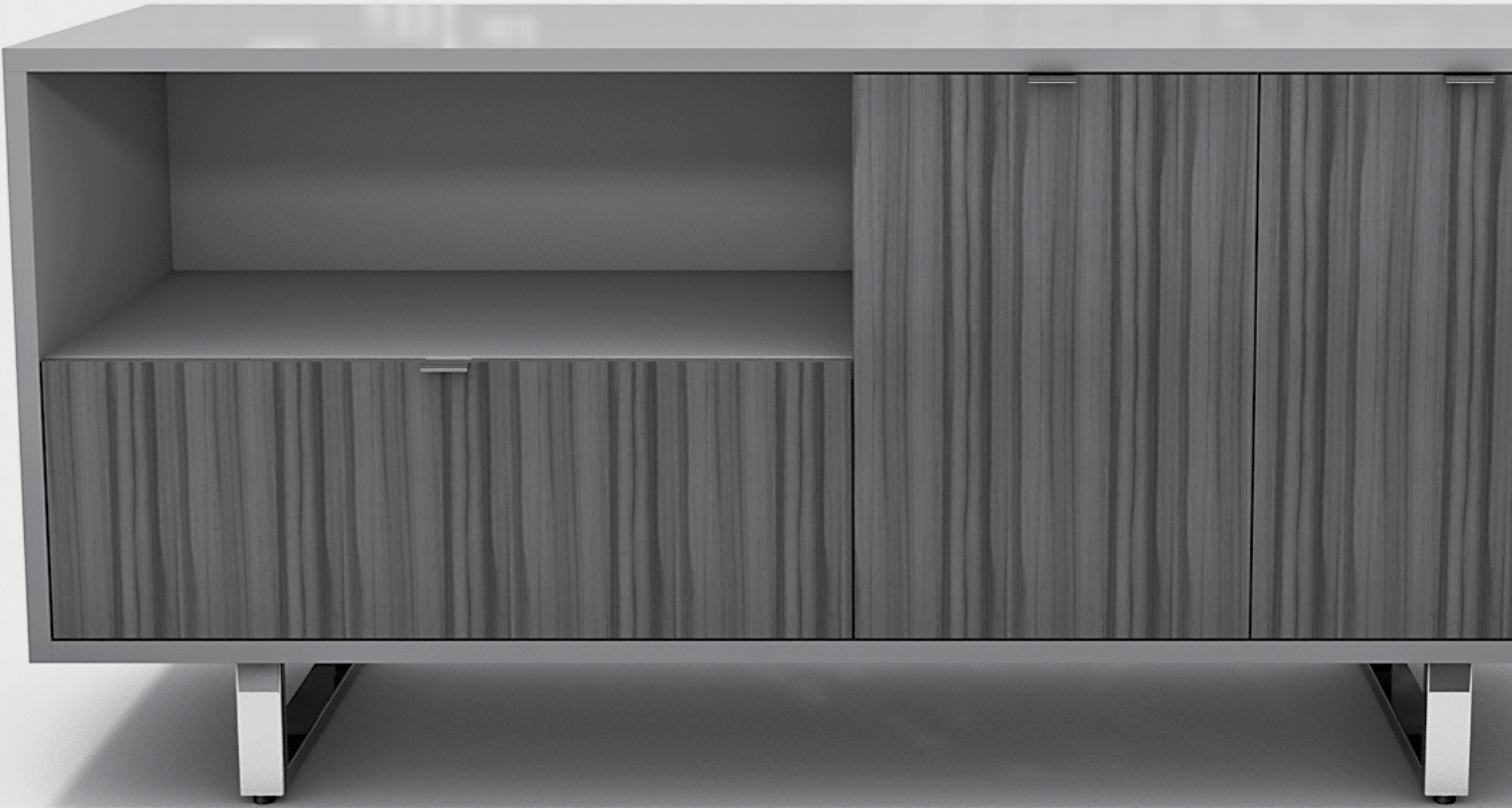
## SINGLE SPACE COMPONENTS

03DR18B	Door w/adjustable shelf	0
03FF18B	File over File	194
03OF18B	Open over File	183
03DD18B	Drawer over Door	237
03TP18B	Trash Pullout	602

Please consult [page 7](#) for the palette of DatesWeiser finishes. Natural stone, non-standard glass and veneer, and other technology options are available. Please email [customerservice@datesweiser.com](mailto:customerservice@datesweiser.com) for a custom quote. Consult technical information on [page 313](#) for construction details and technical information.



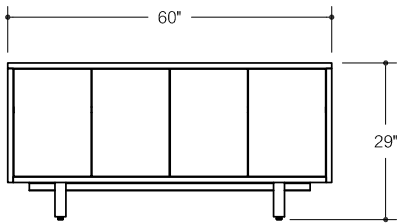
# Highline Twenty-Five Collection



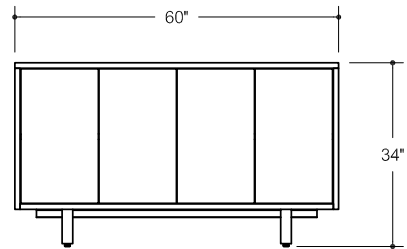
**DATESWEISER**

# Highline Twenty-Five Credenzas Index

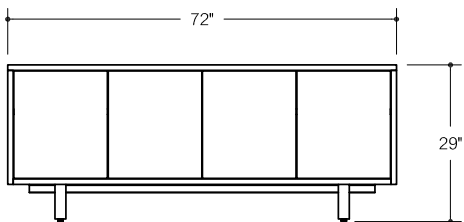
60"-108" width



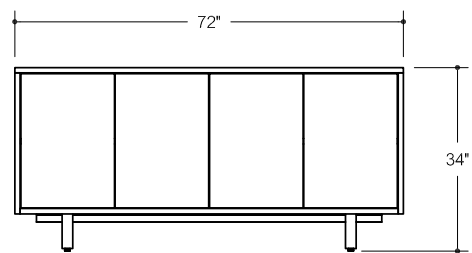
04C60C



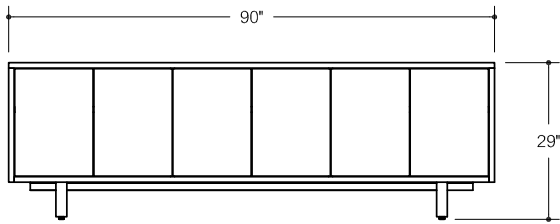
04C60B



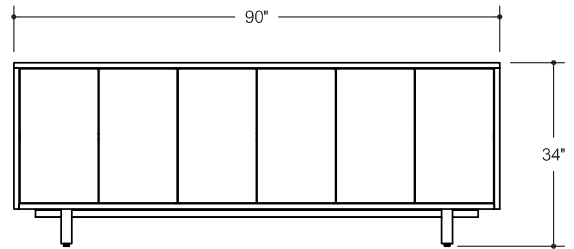
04C72C



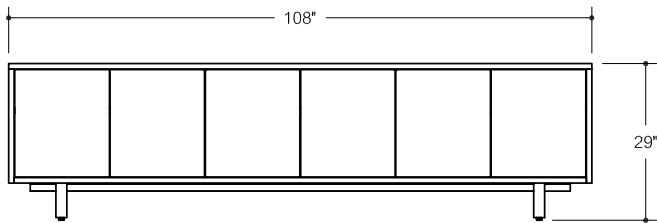
04C72B



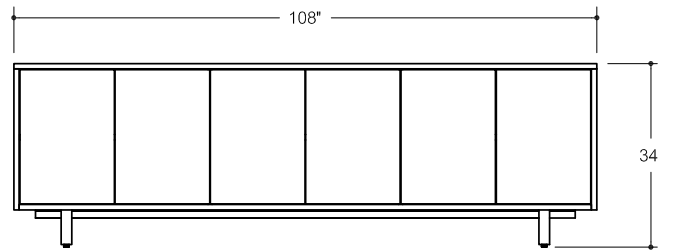
04C90C



04C90B



04C108C

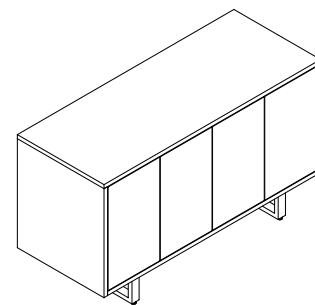


04C108B

# Highline Twenty-Five Credenza

60" Long, 34" Buffet Height

04C60B



Starting Price: **\$9,041**

60" credenza, 34" high, no top, all doors, satin lacquer case and doors, powder coat legs

Pattern Number: 04C60B

## Step 1. Top

NT	No top
FT	Full Top

## Step 2. Top Finish (not applicable in 'no top' configuration)

GC00	Clear Glass	+2,119
GC __	Clear Glass, back painted	+2,472
GE __	Etched matte Glass, back painted	+2,661
CS01	Corian Glacier White	+2,778
QS __	Caesarstone	+5,375

## Step 3. Case Finish

SL __	Satin Lacquer	+0
T1	Veneer Tier 1	+1,899
T2	Veneer Tier 2	+4,106
HG __	High Gloss Polyester	+9,060

## Step 4. Leg Finish

MC __	Powder Coat	+0
PM01	Polished Chrome	+377
PM02	Satin Nickel	+377
PM03	Oil Rubbed Bronze	+704

## Step 5. Door/Drawer Face Finish

SL __	Satin Lacquer	+0
T1 __	Veneer Tier 1	+471
T2 __	Veneer Tier 2	+1,027
HG __	High Gloss Polyester	+2,265

## Step 6. Configuration

Specify Left to Right: Select single or double space components for 4 available positions.

When any double space component is selected, insert code in desired starting position and XXXX in subsequent position.

04 ____ B	Position 1
04 ____ B	Position 2
04 ____ B	Position 3
04 ____ B	Position 4

## DOUBLE SPACE COMPONENTS

04DR30B	Doors w/adjustable shelf	0
04FF30B	Lateral File over Lateral File	+419
04OF30B	Open over Lateral File	+354
04DD30B	Drawer over Doors	+696
04TP30B	Trash Pullout	+1,220
04AV30B	2 Door AV	+414

## SINGLE SPACE COMPONENTS

04DR15B	Door w/adjustable shelf	0
04FF15B	File over File	+210
04OF15B	Open over File	+177
04DD15B	Drawer over Door	+349
04TP15B	Trash Pullout	+611

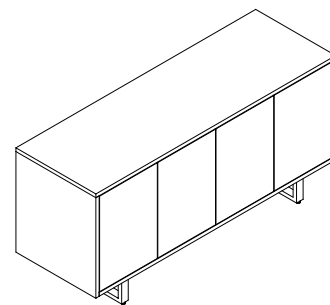
Please consult [page 7](#) for the palette of DatesWeiser finishes. Natural stone, non-standard glass and veneer, and other technology options are available. Please email [customerservice@datesweiser.com](mailto:customerservice@datesweiser.com) for a custom quote. Consult technical information on [page 319](#) for construction details and technical information.



# Highline Twenty-Five Credenza

72" Long, 34" Buffet Height

04C72B



Starting Price: **\$9,525**

72" credenza, 34" high, no top, all doors, satin lacquer case and doors, powder coat legs

Pattern Number: 04C72B

## Step 1. Top

NT	No top
FT	Full Top

## Step 2. Top Finish (not applicable in 'no top' configuration)

GC00	Clear Glass	+2,225
GC __	Clear Glass, back painted	+2,708
GE __	Etched matte Glass, back painted	+2,932
CS01	Corian Glacier White	+3,225
QS __	Caesarstone	+6,450

## Step 3. Case Finish

SL __	Satin Lacquer	+0
T1	Veneer Tier 1	+2,082
T2	Veneer Tier 2	+4,495
HG __	High Gloss Polyester	+10,399

## Step 4. Leg Finish

MC __	Powder Coat	+0
PM01	Polished Chrome	+377
PM02	Satin Nickel	+377
PM03	Oil Rubbed Bronze	+704

## Step 5. Door/Drawer Face Finish

SL __	Satin Lacquer	+0
T1 __	Veneer Tier 1	+520
T2 __	Veneer Tier 2	+1,127
HG __	High Gloss Polyester	+2,601

## Step 6. Configuration

Specify Left to Right: Select single or double space components for 4 available positions. When any double space component is selected, insert code in desired starting position and XXXX in subsequent position.

04 ____ B	Position 1
04 ____ B	Position 2
04 ____ B	Position 3
04 ____ B	Position 4

### DOUBLE SPACE COMPONENTS

04DR36B	Doors w/adjustable shelf	0
04FF36B	Lateral File over Lateral File	+466
04OF36B	Open over Lateral File	+414
04DD36B	Drawer over Doors	+749
04TP36B	Trash Pullout	+1,293
04AV36B	2 Door AV	+495

### SINGLE SPACE COMPONENTS

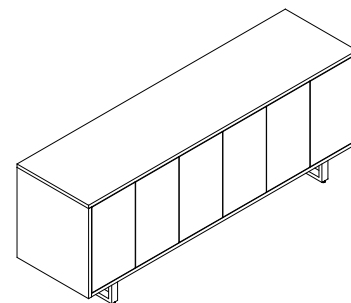
04DR18B	Door w/adjustable shelf	0
04FF18B	File over File	+234
04OF85B	Open over File	+206
04DD18B	Drawer over Door	+375
04TP18B	Trash Pullout	+646

Please consult [page 7](#) for the palette of DatesWeiser finishes. Natural stone, non-standard glass and veneer, and other technology options are available. Please email [customerservice@datesweiser.com](mailto:customerservice@datesweiser.com) for a custom quote. Consult technical information on [page 319](#) for construction details and technical information.

# Highline Twenty-Five Credenza

90" Long, 34" Buffet Height

04C90B



Starting Price: **\$11,600**

90" credenza, 34" high, no top, all doors, satin lacquer case and doors, powder coat legs

Pattern Number: 04C90B

## Step 1. Top

NT	No top
FT	Full Top

## Step 2. Top Finish (not applicable in 'no top' configuration)

GC00	Clear Glass	+2,438
GC__	Clear Glass, back painted	+3,072
GE__	Etched matte Glass, back painted	+3,344
CS01	Corian Glacier White	+4,031
QS__	Caesarstone	+8,062

## Step 3. Case Finish

SL__	Satin Lacquer	+0
T1	Veneer Tier 1	+2,613
T2	Veneer Tier 2	+5,697
HG__	High Gloss Polyester	+12,275

## Step 4. Leg Finish

MC__	Powder Coat	+0
PM01	Polished Chrome	+377
PM02	Satin Nickel	+377
PM03	Oil Rubbed Bronze	+704

## Step 5. Door/Drawer Face Finish

SL__	Satin Lacquer	+0
T1__	Veneer Tier 1	+655
T2__	Veneer Tier 2	+1,428
HG__	High Gloss Polyester	+3,067

## Step 6. Configuration

Specify Left to Right: Select single or double space components for 6 available positions. When any double space component is selected, insert code in desired starting position and XXXX in subsequent position.

04 ____ B	Position 1
04 ____ B	Position 2
04 ____ B	Position 3
04 ____ B	Position 4
04 ____ B	Position 5
04 ____ B	Position 6

## DOUBLE SPACE COMPONENTS

04DR30B	Doors w/adjustable shelf	0
04FF30B	Lateral File over Lateral File	+399
04OF30B	Open over Lateral File	+337
04DD30B	Drawer over Doors	+663
04TP30B	Trash Pullout	+1,162
04AV30B	2 Door AV	+394

## SINGLE SPACE COMPONENTS

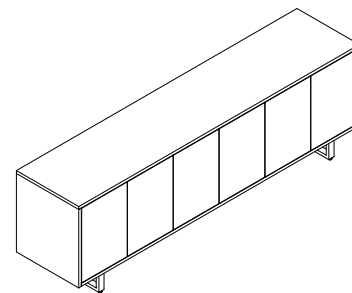
04DR15B	Door w/adjustable shelf	0
04FF15B	File over File	+200
04OF15B	Open over File	+169
04DD15B	Drawer over Door	+332
04TP15B	Trash Pullout	+582

Please consult [page 7](#) for the palette of DatesWeiser finishes. Natural stone, non-standard glass and veneer, and other technology options are available. Please email [customerservice@datesweiser.com](mailto:customerservice@datesweiser.com) for a custom quote. Consult technical information on [page 319](#) for construction details and technical information.

# Highline Twenty-Five Credenza

108" Long, 34" Buffet Height

04C108B



Starting Price: **\$12,349**

108" credenza, 34" high, no top, all doors, satin lacquer case and doors, powder coat legs

Pattern Number: 04C108B

## Step 1. Top

NT	No top
FT	Full Top

## Step 2. Top Finish (not applicable in 'no top' configuration)

GC00	Clear Glass	+3,073
GC __	Clear Glass, back painted	+4,401
GE __	Etched matte Glass, back painted	+4,724
CS01	Corian Glacier White	+4,955
QS __	Caesarstone	+6,937

## Step 3. Case Finish

SL __	Satin Lacquer	+0
T1	Veneer Tier 1	+2,872
T2	Veneer Tier 2	+6,430
HG __	High Gloss Polyester	+14,280

## Step 4. Leg Finish

MC __	Powder Coat	+0
PM01	Polished Chrome	+377
PM02	Satin Nickel	+377
PM03	Oil Rubbed Bronze	+704

## Step 5. Door/Drawer Face Finish

SL __	Satin Lacquer	+0
T1 __	Veneer Tier 1	+720
T2 __	Veneer Tier 2	+1,611
HG __	High Gloss Polyester	+3,569

## Step 6. Configuration

Specify Left to Right: Select single or double space components for 6 available positions. When any double space component is selected, insert code in desired starting position and XXXX in subsequent position.

04 ____ B	Position 1
04 ____ B	Position 2
04 ____ B	Position 3
04 ____ B	Position 4
04 ____ B	Position 5
04 ____ B	Position 6

## DOUBLE SPACE COMPONENTS

04DR36B	Doors w/adjustable shelf	0
04FF36B	Lateral File over Lateral File	+466
04OF36B	Open over Lateral File	+414
04DD36B	Drawer over Doors	+749
04TP36B	Trash Pullout	+1,293
04AV36B	2 Door AV	+495

## SINGLE SPACE COMPONENTS

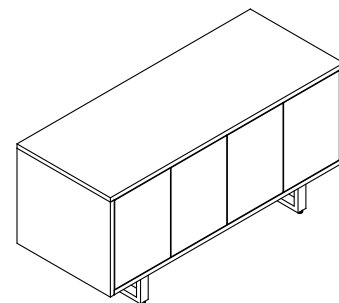
04DR18B	Door w/adjustable shelf	0
04FF18B	File over File	+234
04OF85B	Open over File	+206
04DD18B	Drawer over Door	+375
04TP18B	Trash Pullout	+646

Please consult [page 7](#) for the palette of DatesWeiser finishes. Natural stone, non-standard glass and veneer, and other technology options are available. Please email [customerservice@datesweiser.com](mailto:customerservice@datesweiser.com) for a custom quote. Consult technical information on [page 319](#) for construction details and technical information.

# Highline Twenty-Five Credenza

60" Long, 29" Conference Height

04C60C



Starting Price: **\$9,041**

60" credenza, 29" high, no top, all doors, satin lacquer case and doors, powder coat legs

Pattern Number: 04C60C

## Step 2. Top Finish (not applicable in 'no top' configuration)

GC00	Clear Glass	+2,119
GC__	Clear Glass, back painted	+2,472
GE__	Etched matte Glass, back painted	+2,661
CS01	Corian Glacier White	+2,778
QS__	Caesarstone	+5,375

## Step 3. Case Finish

SL__	Satin Lacquer	+0
T1	Veneer Tier 1	+1,899
T2	Veneer Tier 2	+4,106
HG__	High Gloss Polyester	+9,060

## Step 4. Leg Finish

MC__	Powder Coat	+0
PM01	Polished Chrome	+377
PM02	Satin Nickel	+377
PM03	Oil Rubbed Bronze	+704

## Step 5. Door/Drawer Face Finish

SL__	Satin Lacquer	+0
T1__	Veneer Tier 1	+471
T2__	Veneer Tier 2	+1,027
HG__	High Gloss Polyester	+2,265

## Step 6. Configuration

Specify Left to Right: Select single or double space components for 4 available positions.

When any double space component is selected, insert code in desired starting position and XXXX in subsequent position.

04 ____ B	Position 1
04 ____ B	Position 2
04 ____ B	Position 3
04 ____ B	Position 4

## DOUBLE SPACE COMPONENTS

04DR30B	Doors w/adjustable shelf	0
04FF30B	Lateral File over Lateral File	+419
04OF30B	Open over Lateral File	+354
04DD30B	Drawer over Doors	+696
04TP30B	Trash Pullout	+1,220
04AV30B	2 Door AV	+414

## SINGLE SPACE COMPONENTS

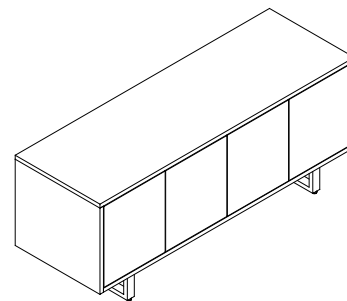
04DR15B	Door w/adjustable shelf	0
04FF15B	File over File	+210
04OF15B	Open over File	+177
04DD15B	Drawer over Door	+349
04TP15B	Trash Pullout	+611

Please consult [page 7](#) for the palette of DatesWeiser finishes. Natural stone, non-standard glass and veneer, and other technology options are available. Please email [customerservice@datesweiser.com](mailto:customerservice@datesweiser.com) for a custom quote. Consult technical information on [page 319](#) for construction details and technical information.

# Highline Twenty-Five Credenza

72" Long, 29" Conference Height

04C72C



Starting Price: **\$9,525**

72" credenza, 29" high, no top, all doors, satin lacquer case and doors, powder coat legs

Pattern Number: 04C72C

## Step 1. Top

NT	No top
FT	Full Top

## Step 2. Top Finish (not applicable in 'no top' configuration)

GC00	Clear Glass	+2,225
GC __	Clear Glass, back painted	+2,708
GE __	Etched matte Glass, back painted	+2,932
CS01	Corian Glacier White	+3,225
QS __	Caesarstone	+6,450

## Step 3. Case Finish

SL __	Satin Lacquer	+0
T1	Veneer Tier 1	+2,082
T2	Veneer Tier 2	+4,495
HG __	High Gloss Polyester	+10,399

## Step 4. Leg Finish

MC __	Powder Coat	+0
PM01	Polished Chrome	+377
PM02	Satin Nickel	+377
PM03	Oil Rubbed Bronze	+704

## Step 5. Door/Drawer Face Finish

SL __	Satin Lacquer	+0
T1 __	Veneer Tier 1	+520
T2 __	Veneer Tier 2	+1,127
HG __	High Gloss Polyester	+2,601

## Step 6. Configuration

Specify Left to Right: Select single or double space components for 4 available positions. When any double space component is selected, insert code in desired starting position and XXXX in subsequent position.

04 ____ B	Position 1
04 ____ B	Position 2
04 ____ B	Position 3
04 ____ B	Position 4

## DOUBLE SPACE COMPONENTS

04DR36B	Doors w/adjustable shelf	0
04FF36B	Lateral File over Lateral File	+466
04OF36B	Open over Lateral File	+414
04DD36B	Drawer over Doors	+749
04TP36B	Trash Pullout	+1,293
04AV36B	2 Door AV	+495

## SINGLE SPACE COMPONENTS

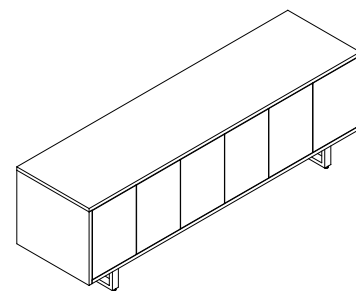
04DR18B	Door w/adjustable shelf	0
04FF18B	File over File	+234
04OF85B	Open over File	+206
04DD18B	Drawer over Door	+375
04TP18B	Trash Pullout	+646

Please consult [page 7](#) for the palette of DatesWeiser finishes. Natural stone, non-standard glass and veneer, and other technology options are available. Please email [customerservice@datesweiser.com](mailto:customerservice@datesweiser.com) for a custom quote. Consult technical information on [page 319](#) for construction details and technical information.

# Highline Twenty-Five Credenza

90" Long, 29" Conference Height

04C90C



Starting Price: **\$11,600**

90" credenza, 29" high, no top, all doors, satin lacquer case and doors, powder coat legs

Pattern Number: 04C90C

## Step 1. Top

NT	No top
FT	Full Top

## Step 2. Top Finish (not applicable in 'no top' configuration)

GC00	Clear Glass	+2,438
GC __	Clear Glass, back painted	+3,072
GE __	Etched matte Glass, back painted	+3,344
CS01	Corian Glacier White	+4,031
QS __	Caesarstone	+8,062

## Step 3. Case Finish

SL __	Satin Lacquer	+0
T1	Veneer Tier 1	+2,613
T2	Veneer Tier 2	+5,697
HG __	High Gloss Polyester	+12,275

## Step 4. Leg Finish

MC __	Powder Coat	+0
PM01	Polished Chrome	+377
PM02	Satin Nickel	+377
PM03	Oil Rubbed Bronze	+704

## Step 5. Door/Drawer Face Finish

SL __	Satin Lacquer	+0
T1 __	Veneer Tier 1	+655
T2 __	Veneer Tier 2	+1,428
HG __	High Gloss Polyester	+3,067

## Step 6. Configuration

Specify Left to Right: Select single or double space components for 6 available positions. When any double space component is selected, insert code in desired starting position and XXXX in subsequent position.

04 ____ C	Position 1	+ ____
04 ____ C	Position 2	+ ____
04 ____ C	Position 3	+ ____
04 ____ C	Position 4	+ ____
04 ____ C	Position 5	+ ____
04 ____ C	Position 6	+ ____

## DOUBLE SPACE COMPONENTS

04DR30C	Doors w/adjustable shelf	0
04DF30C	Drawer over Lateral File	+399
04OF30C	Open over Lateral File	+337
04DD30C	Drawer over Doors	+663
04TP30C	Trash Pullout	+1,162
04AV30C	2 Door AV	+394

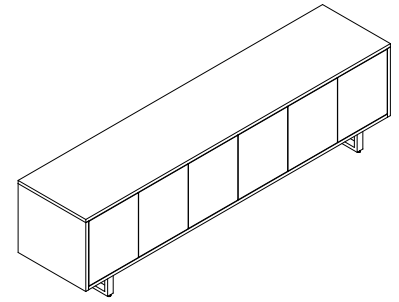
## SINGLE SPACE COMPONENTS

04DR15C	Door w/adjustable shelf	0
04DF15C	Drawer over File	+200
04OF15C	Open over File	+169
04DD15C	Drawer over Door	+332
04TP15C	Trash Pullout	+582

Please consult [page 7](#) for the palette of DatesWeiser finishes. Natural stone, non-standard glass and veneer, and other technology options are available. Please email [customerservice@datesweiser.com](mailto:customerservice@datesweiser.com) for a custom quote. Consult technical information on [page 319](#) for construction details and technical information.

# Highline Twenty-Five Credenza

108" Long, 29" Conference Height  
04C108C



Starting Price: **\$11,761**

108" credenza, 29" high, no top, all doors, satin lacquer case and doors, powder coat legs

Pattern Number: 04C108C

## Step 1. Top

NT	No top
FT	Full Top

## Step 2. Top Finish (not applicable in 'no top' configuration)

GC00	Clear Glass	+3,073
GC__	Clear Glass, back painted	+4,401
GE__	Etched matte Glass, back painted	+4,724
CS01	Corian Glacier White	+4,955
QS__	Caesarstone	+6,937

## Step 3. Case Finish

SL__	Satin Lacquer	+0
T1	Veneer Tier 1	+2,872
T2	Veneer Tier 2	+6,430
HG__	High Gloss Polyester	+14,280

## Step 4. Leg Finish

MC__	Powder Coat	+0
PM01	Polished Chrome	+377
PM02	Satin Nickel	+377
PM03	Oil Rubbed Bronze	+704

## Step 5. Door/Drawer Face Finish

SL__	Satin Lacquer	+0
T1__	Veneer Tier 1	+720
T2__	Veneer Tier 2	+1,611
HG__	High Gloss Polyester	+3,569

## Step 6. Configuration

Specify Left to Right: Select single or double space components for 6 available positions. When any double space component is selected, insert code in desired starting position and XXXX in subsequent position.

04 ____ B	Position 1
04 ____ B	Position 2
04 ____ B	Position 3
04 ____ B	Position 4
04 ____ B	Position 5
04 ____ B	Position 6

## DOUBLE SPACE COMPONENTS

04DR36B	Doors w/adjustable shelf	0
04FF36B	Lateral File over Lateral File	+466
04OF36B	Open over Lateral File	+414
04DD36B	Drawer over Doors	+749
04TP36B	Trash Pullout	+1,293
04AV36B	2 Door AV	+495

## SINGLE SPACE COMPONENTS

04DR18B	Door w/adjustable shelf	0
04FF18B	File over File	+234
04OF85B	Open over File	+206
04DD18B	Drawer over Door	+375
04TP18B	Trash Pullout	+646

Please consult [page 7](#) for the palette of DatesWeiser finishes. Natural stone, non-standard glass and veneer, and other technology options are available. Please email [customerservice@datesweiser.com](mailto:customerservice@datesweiser.com) for a custom quote. Consult technical information on [page 319](#) for construction details and technical information.

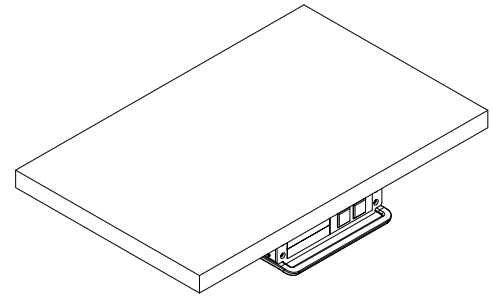
# Accessories



## Accessories

### Power & Connectivity

#### Slide Out Power Box



<b>Hardwired Starting Price:</b>	<b>\$1,776</b>	<b>Plug In Starting Price:</b>	<b>\$1,507</b>
Pattern Number: 00UMSOHW		Pattern Number: 00UMSOPI	
Includes : (1) AC Power Module - Hardwired (HW) (2) Single Space Blank Plates		Includes : (1) AC Power Module - Plug In (PI) (2) Single Space Blank Plates	
Finish : Black Powder Coat		Finish: Black Power Coat	

The Slide-Out Power Box is designed to be mounted on the under-side of a tabletop to provide easy access to power, data and communication feeds by the End User with an option to slide it back out of the way if not needed or if more seating space is required.

The unit is provided with 1 AC Power Module in both hardwire and plug-in options.

Its design also allows the use of standard Extron Single or Double AAP modules, ordered separately by the End User from Extron. See Extron's website at [https://www.extron.com/product/aap\\_selectorpopup.aspx](https://www.extron.com/product/aap_selectorpopup.aspx) to see what's available.

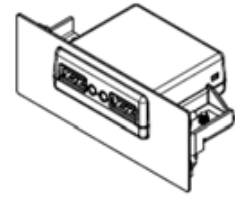
The Slide-Out Power Box mounts to the under-side of a wood tabletop using wood screws and comes with all the hardware required to attach it to any Highline Table.

It can be mounted in any desired location, but it's recommended to be mounted in-between users in such a way that when the box is extended, it is flush with the edge of the tabletop with only the handle protruding past.

## Accessories

### Power & Connectivity

#### Linkable USB Kits for Power Boxes



**USB-A GEN 3 Linkable Kit 4pk Price: \$1,310**

Pattern Number: 00PCMUSB3A4L

Includes : (1) 1.2A/5VDC USB Charging Ports per Module  
150W/VDC or 250W/5VDC Power Supply  
16 Gauge Direct Current Jumper Cables  
USA NEMA 5-15 and 15 Amp with 90° Plug  
UL 1310 Class 2 Listed  
Meets USB.org Battery Charging 1.2 Specs  
P-Clips for wire management

Finish : Black

**USB-A GEN 3 Linkable Kit 6pk Price: \$2,016**

Pattern Number: 00PCMUSB3A6L

Includes : (1) 1.2A/5VDC USB Charging Ports per Module  
150W/VDC or 250W/5VDC Power Supply  
16 Gauge Direct Current Jumper Cables  
USA NEMA 5-15 and 15 Amp with 90° Plug  
UL 1310 Class 2 Listed  
Meets USB.org Battery Charging 1.2 Specs  
P-Clips for wire management

Finish : Black

**USB-A GEN 3 Linkable Kit 8pk Price: \$2,490**

Pattern Number: 00PCMUSB3A8L

Includes : (1) 1.2A/5VDC USB Charging Ports per Module  
150W/VDC or 250W/5VDC Power Supply  
16 Gauge Direct Current Jumper Cables  
USA NEMA 5-15 and 15 Amp with 90° Plug  
UL 1310 Class 2 Listed  
Meets USB.org Battery Charging 1.2 Specs  
P-Clips for wire management

Finish : Black

**USB-A GEN 3 Linkable Kit 10pk Price: \$3,108**

Pattern Number: 00PCMUSB3A10L

Includes : (1) 1.2A/5VDC USB Charging Ports per Module  
150W/VDC or 250W/5VDC Power Supply  
16 Gauge Direct Current Jumper Cables  
USA NEMA 5-15 and 15 Amp with 90° Plug  
UL 1310 Class 2 Listed  
Meets USB.org Battery Charging 1.2 Specs  
P-Clips for wire management

Finish : Black

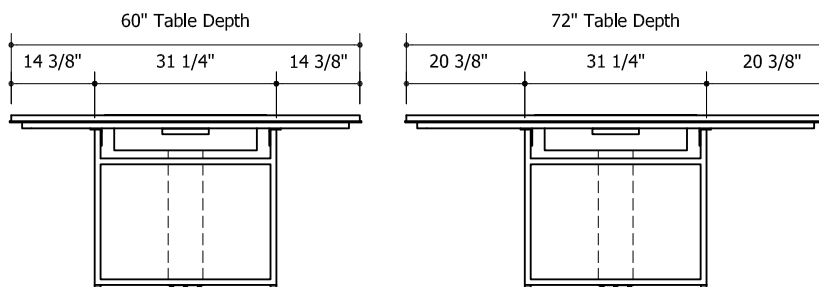
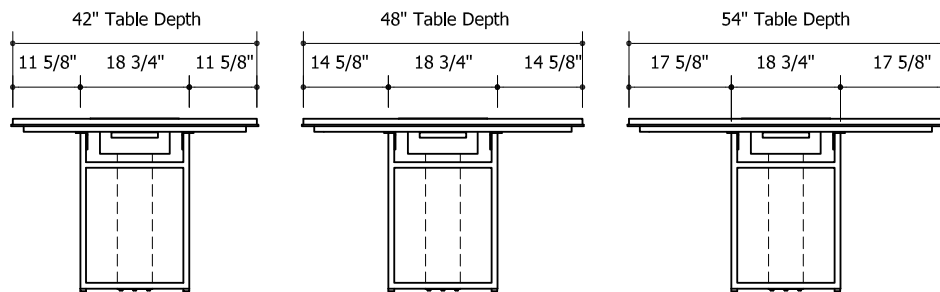
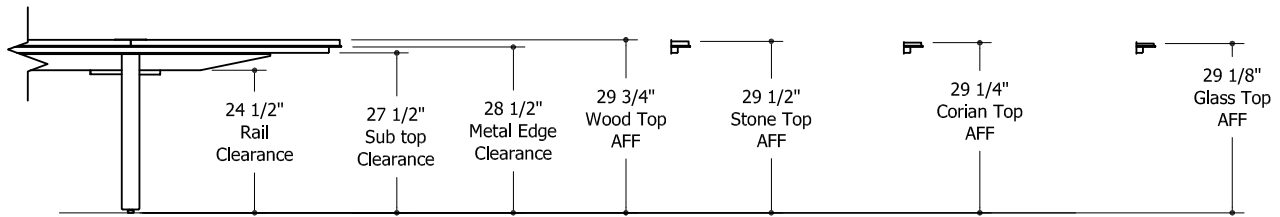


# Technical Information

# Highline Collection

## Conference Tables

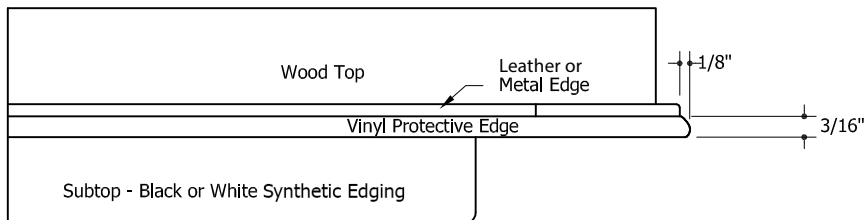
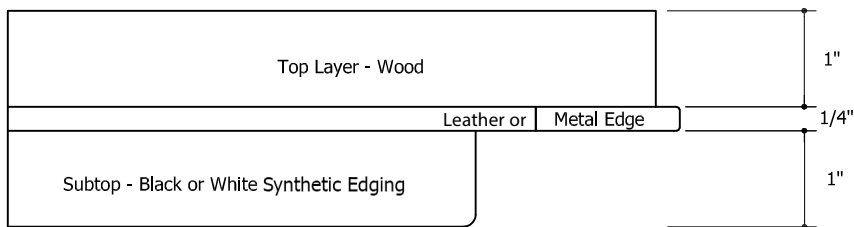
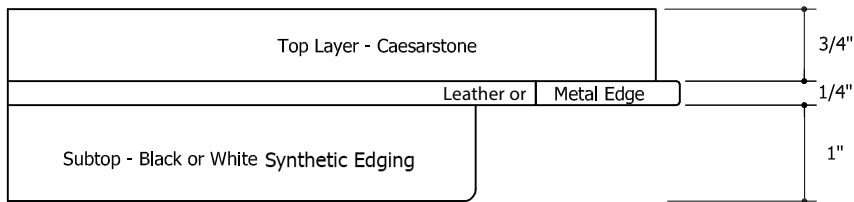
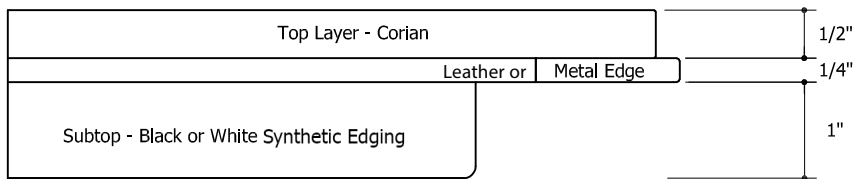
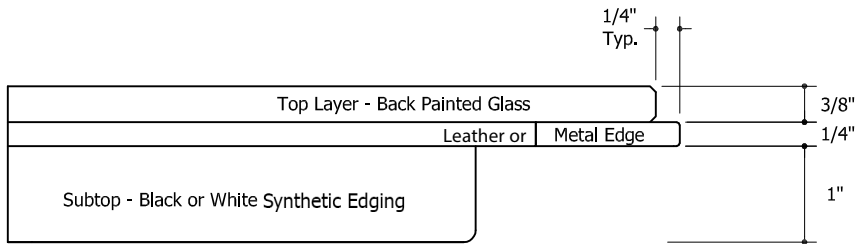
### Overall Elevations and Clearance



# Highline Collection

## Conference Tables

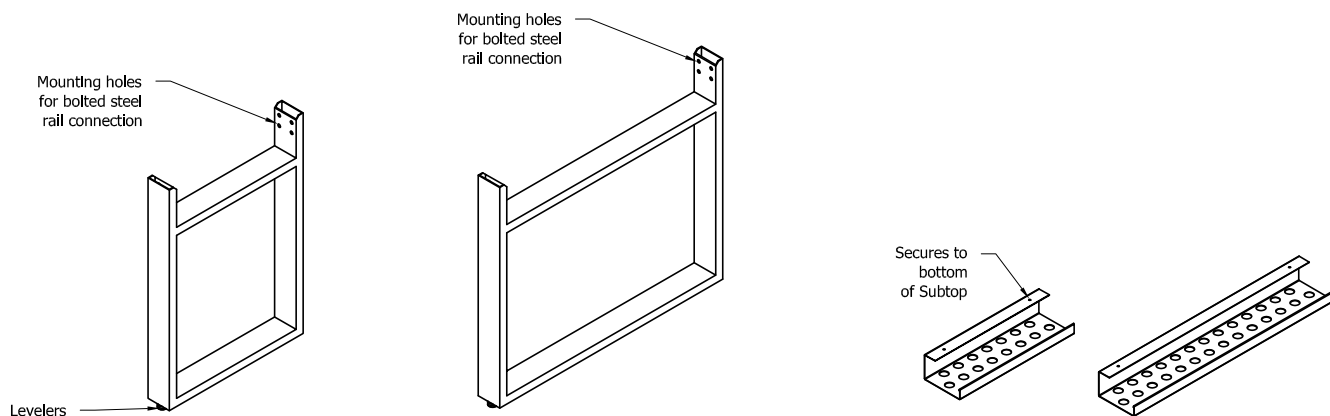
### Top Construction



# Highline Collection

## Conference Tables

### Base Construction / Wire Management Column



#### Highline Small Base

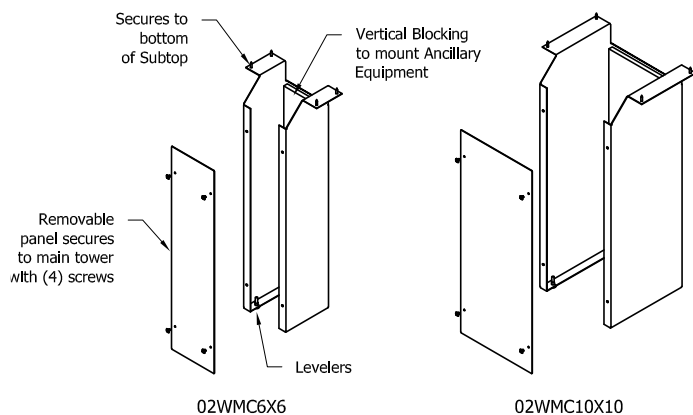
- Used on 42" / 48" / 54" widths
- Also used in combination with large bases for some elliptical and trapezoid configurations
- Construction: 1" x 3" tubular steel

#### Highline Large Base

- Used on 60" / 72" widths
- Also used in combination with small bases for some elliptical and trapezoid configurations
- Construction: 1" x 3" tubular steel

#### Wire Manager

- Length varies by table 16" or 28" x 5" deep x 3" high
- Construction: Steel with black powder coat metallic finish (MC12)



#### Wire Management Column

- Ordered separately but required with all power options
- Location is flexible but placement on table centerline is recommended

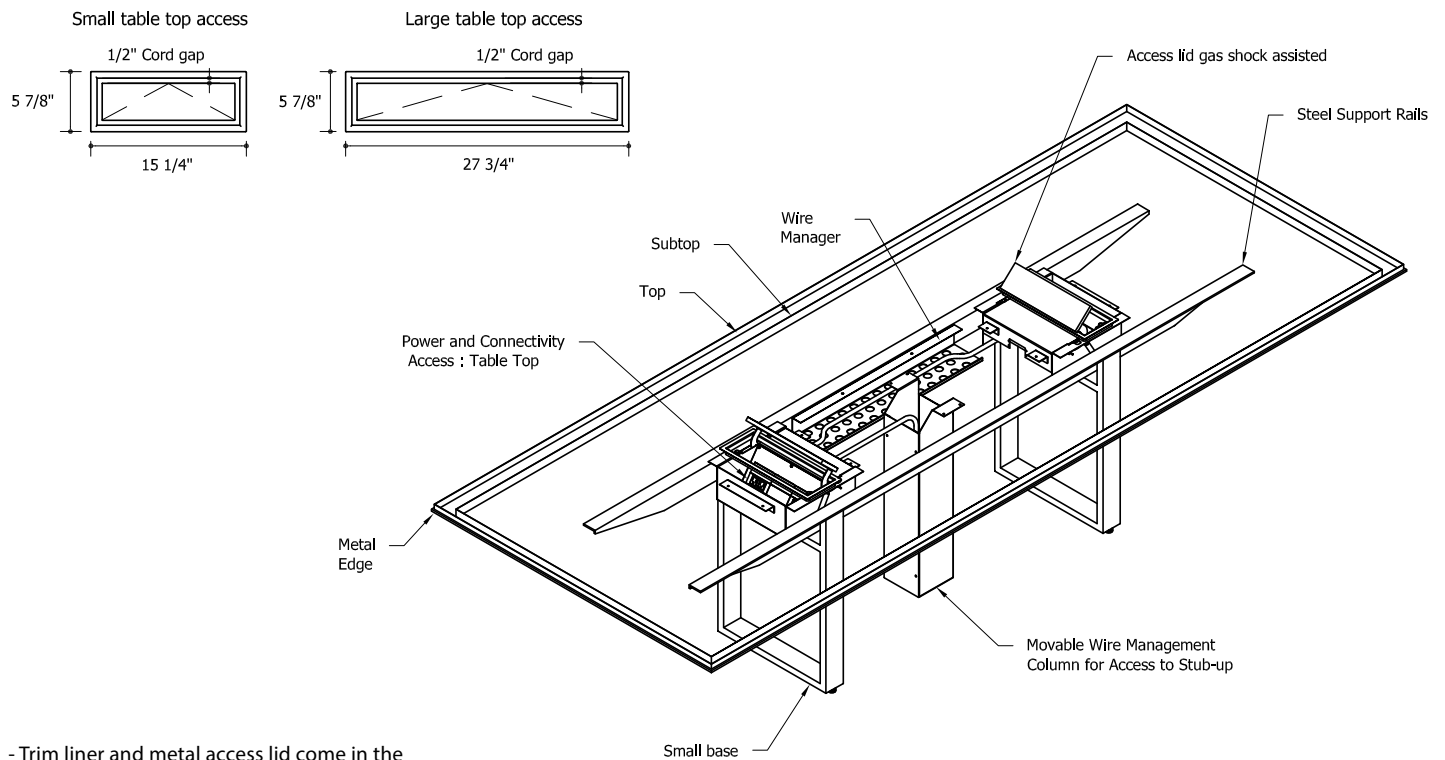
02WMC6X6	6" x 6" with clear inside of 4" x 5"
02WMC10X10	10" x 10" with clear inside of 8" x 9"

# Highline Collection

## Conference Tables

### Power & Connectivity

#### Table Top: Small and Large



- Trim liner and metal access lid come in the specified metal finish
- Small access lid used on 42" / 48" / 54" tables
- Large access lid used on 60" / 72" tables



Small Table Top access (shown populated)



Small Table Top access (shown with optional faceplate)

- Provided with 2 AC power modules - specify hardwired (HW) or plug in (PI), 3 double space and 2 single space blank plates
- For additional connectivity, replace blank plates with Extron single or double space AAP plates as desired. For more information see [extron.com](http://extron.com)

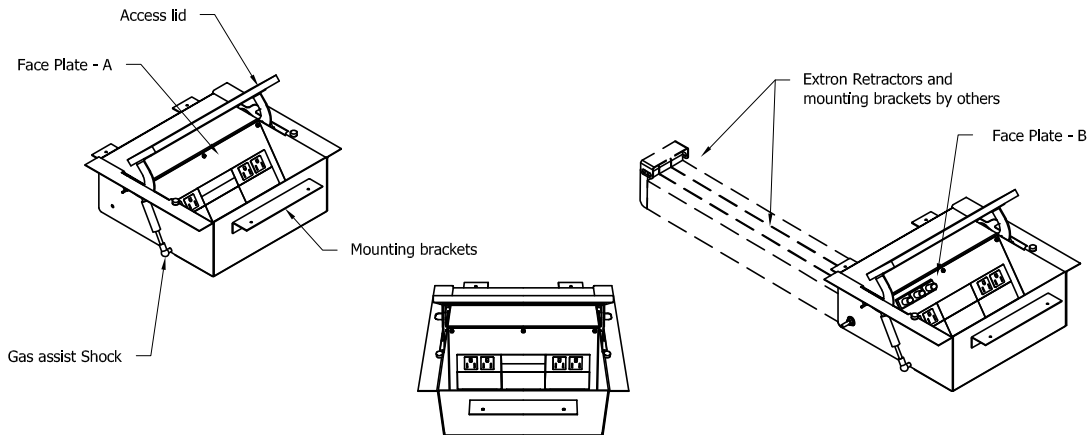


# Highline Collection

## Conference Tables

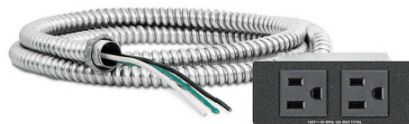
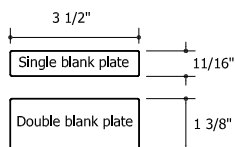
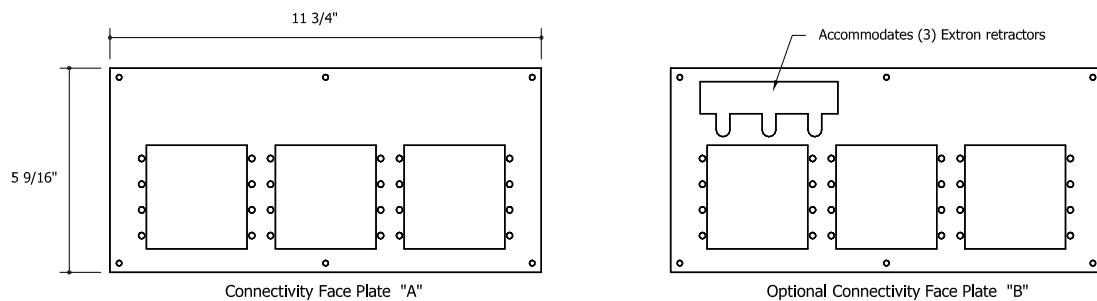
### Power & Connectivity

#### Table Top: Small



- Interior: Black powder coat metallic finish (MC12)
- Used on 42" / 48" / 54" width conference tables
- Also used in combination with large boxes for some elliptical and trapezoid configurations
- Connectivity: Face Plate "A" Qty 1 is standard
- Connectivity: Face Plate "B" is used with Extron retractors

- Face Plates are removable to allow for easy population by AV installer
- Provided with 2 AC power modules - specify hardwired (HW) or plug in (PI), 3 double space and 2 single space blank plates
- For additional connectivity, replace blank plates with Extron single or double space AAP plates as desired. For more information see [extron.com](http://extron.com)



- AC Module Hardwired (HW)**
- 3/8" diameter x 6' long metal-clad cable with 6" pigtail
  - Additional knockouts for series wiring
  - 12A max per module



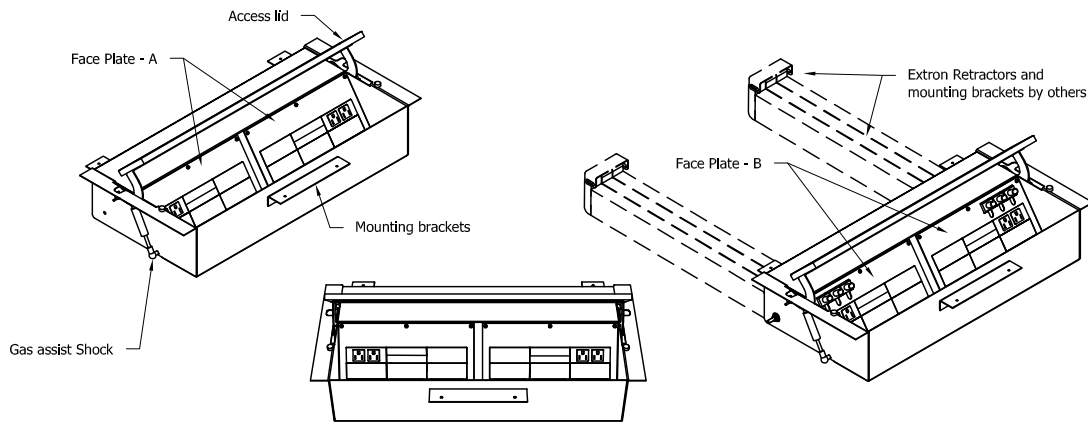
- AC Module Plug In (PI)**
- 7.5' detachable soft cord
  - 6A max per module

# Highline Collection

## Conference Tables

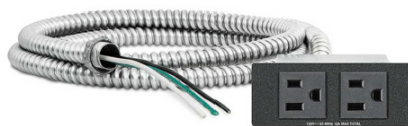
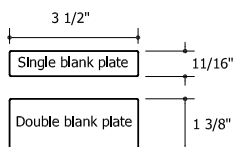
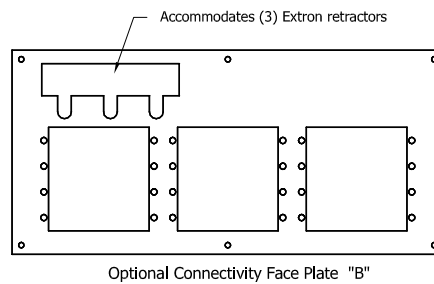
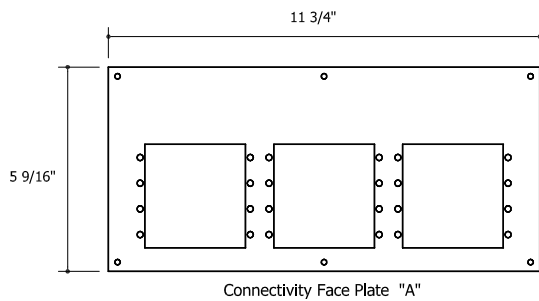
### Power & Connectivity

#### Table Top: Large



- Interior: Black powder coat metallic finish (MC12)
- Used on 60" / 72" width tables
- Also used in combination with Highline Small boxes for some elliptical and trapezoid configurations
- Connectivity: Face Plate "A" Qty 2 is standard
- Connectivity: Face Plate "B" is used with Extron retractors

- Face Plates are removable to allow for easy population by AV installer
- Provided with 2 AC power modules - specify hardwired (HW) or plug in (PI), 8 double space and 4 single space blank plates
- For additional connectivity, replace blank plates with Extron single or double space AAP plates as desired. For more information see [extron.com](http://extron.com)



- AC Module Hardwired (HW)
- 3/8" diameter x 6' long metal clad cable with 6" pigtail
  - Additional knockouts for series wiring
  - 12A max per module



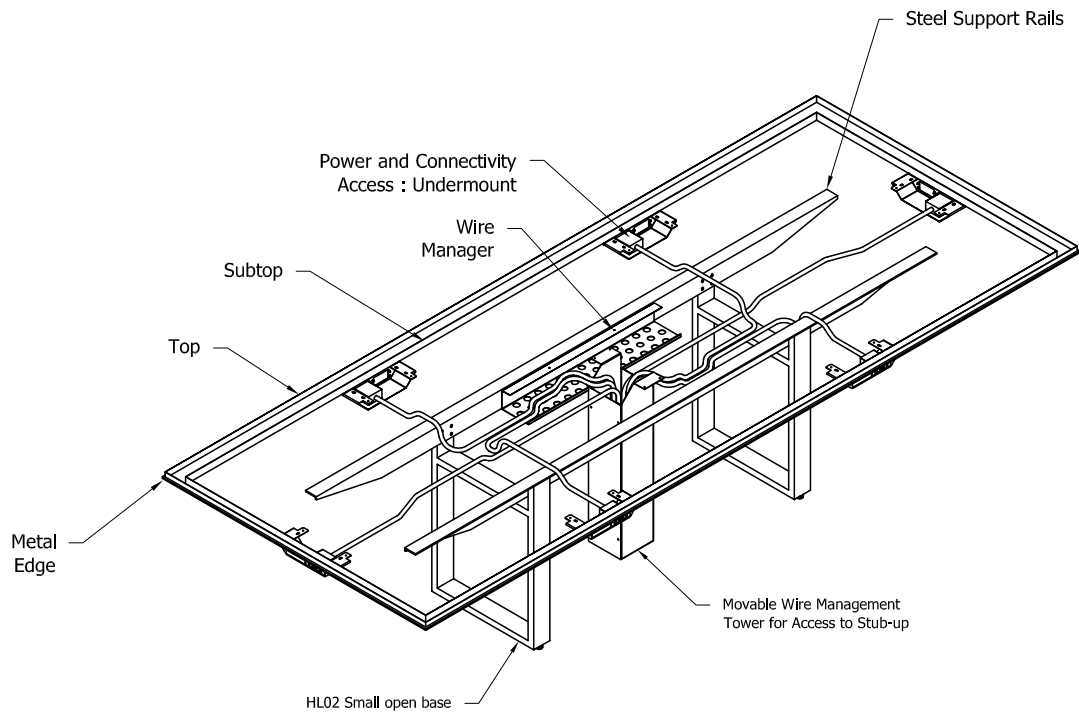
- AC Module Plug In (PI)
- 7.5' detachable soft cord
  - 6A max per module

# Highline Collection

## Conference Tables

### Power & Connectivity

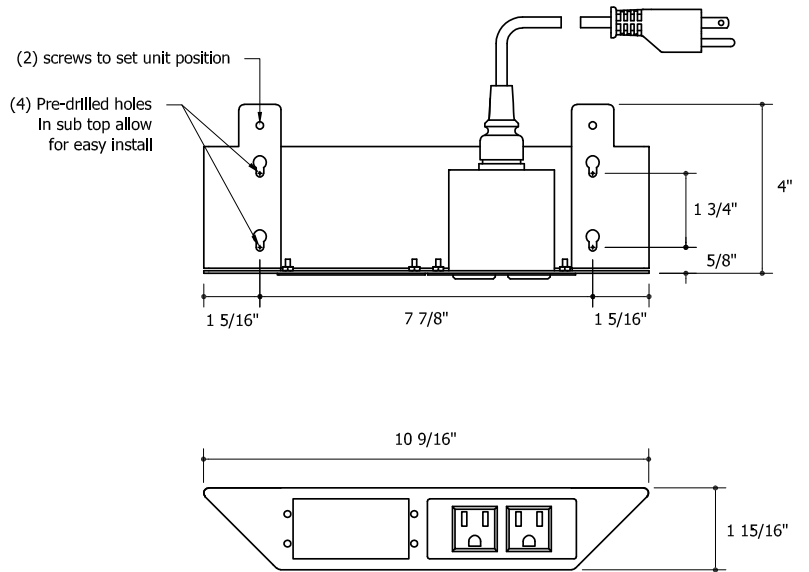
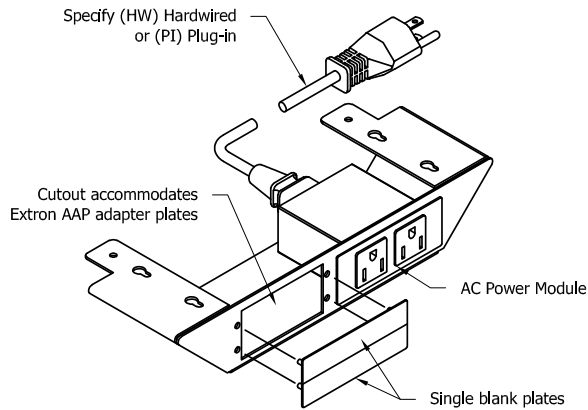
#### Undermount



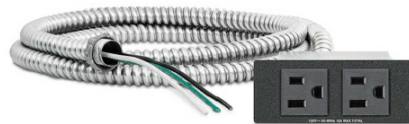
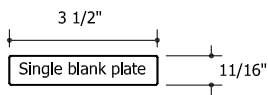
- Undermount access (shown populated)
- Provided with 1 AC power module - specify hardwired (HW) or plug in (PI), and 2 single space blank plates
  - For additional connectivity, replace blank plates with Extron single or double space AAP plates as desired. For more information see [extron.com](http://extron.com)

# Highline Collection

## Conference Tables Power & Connectivity Undermount



- Interior: Black powder coat metallic finish (MC12)
- Provided with 1 AC power module - specify hardwired (HW) or plug in (PI), and 2 single space blank plates
- For additional connectivity, replace blank plates with Extron single or double space AAP plates as desired. For more information see [extron.com](http://extron.com)



- AC Module Hardwired (HW)**
- 3/8" diameter x 6' long metal-clad cable with 6" pigtail
  - Additional knockouts for series wiring
  - 12A max per module

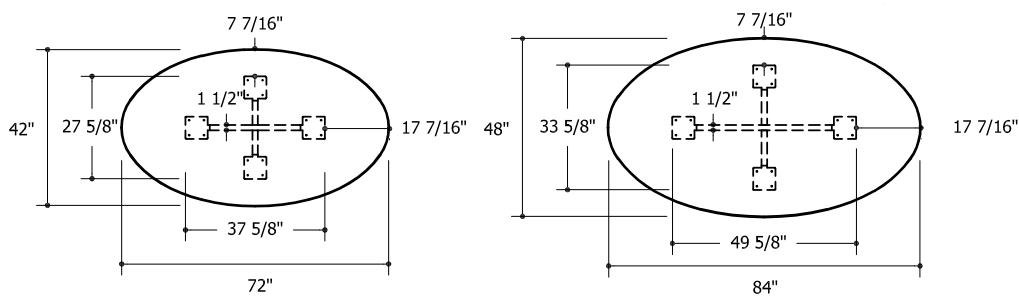
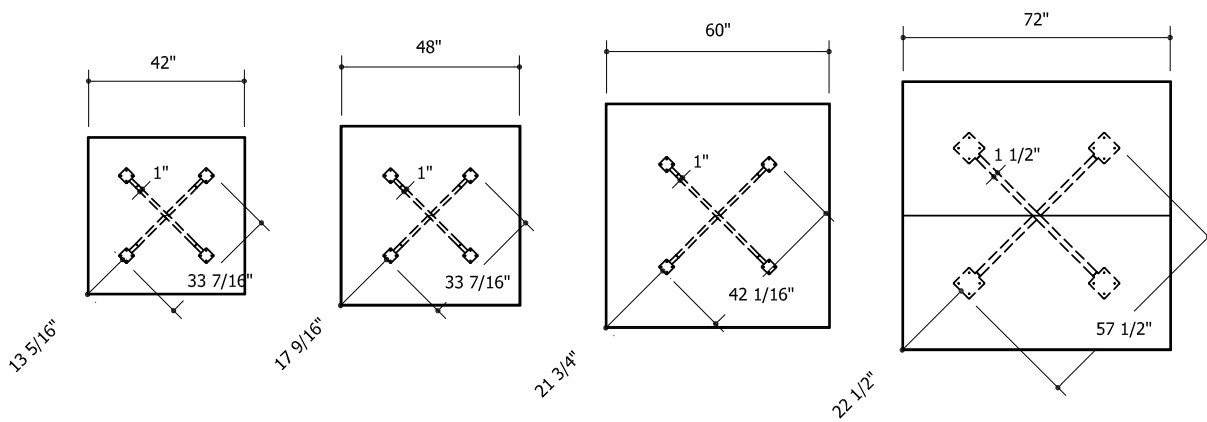
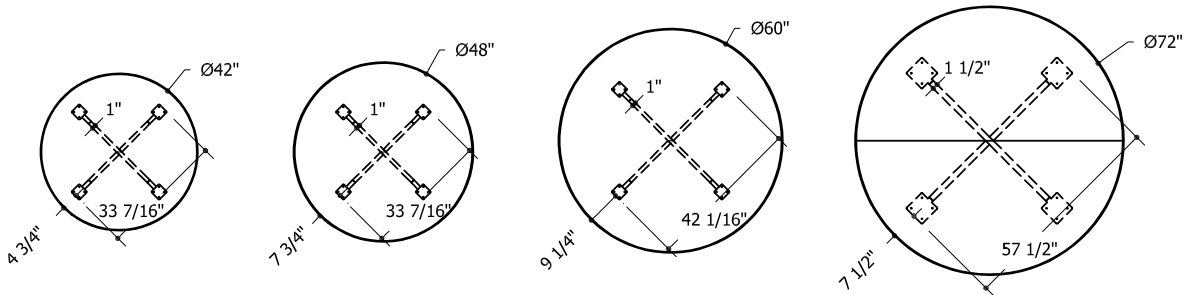
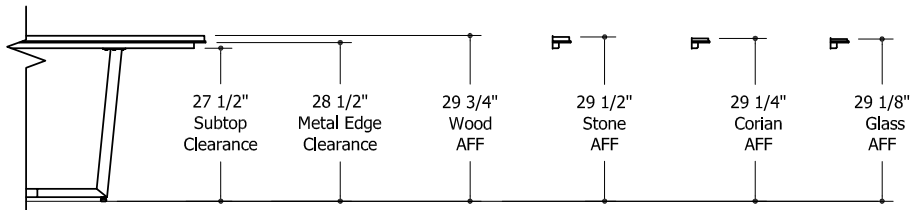


- AC Module Plug In (PI)**
- 7.5' detachable soft cord
  - 6A max per module

# Highline Collection

## Meeting Tables

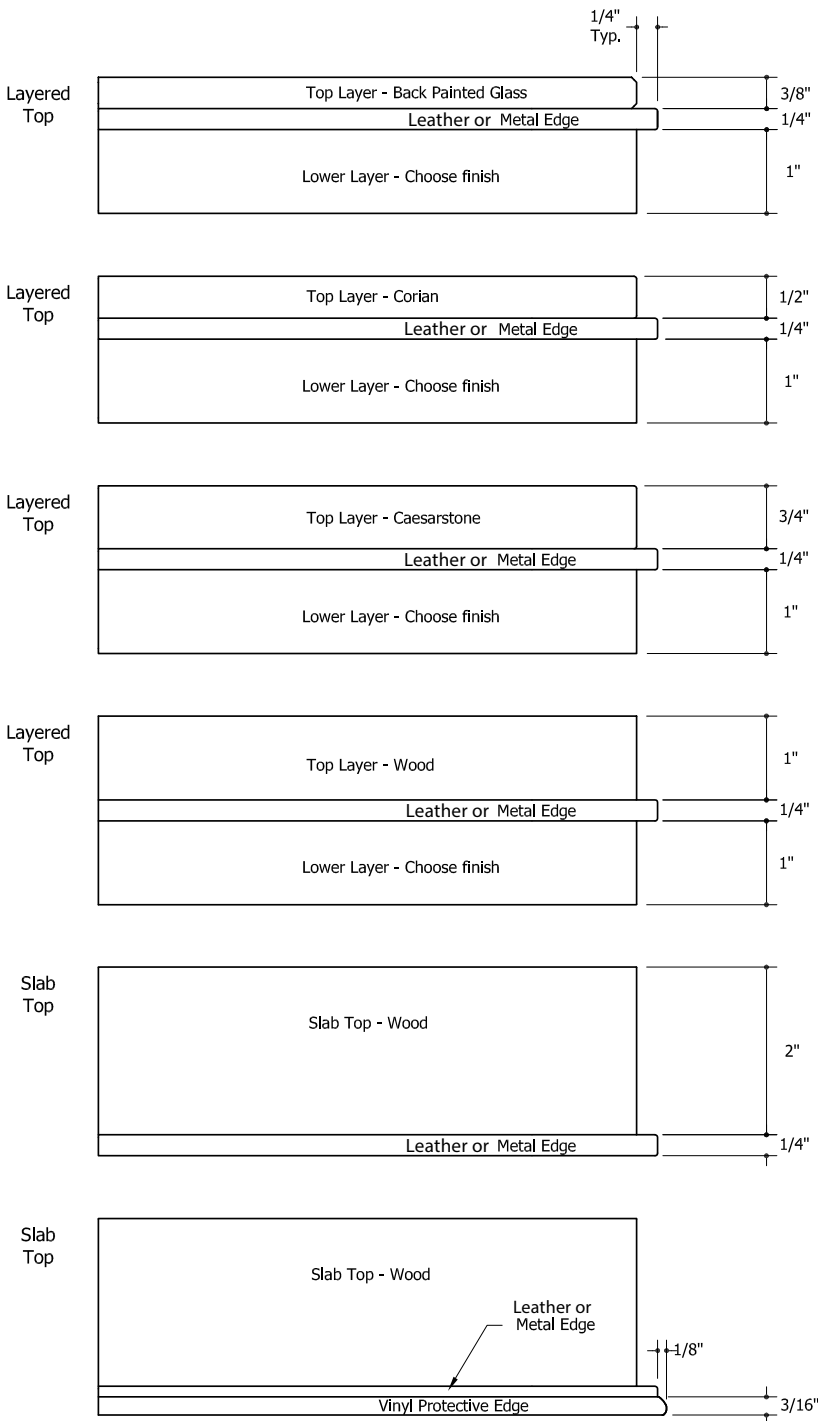
### Overall Elevations and Clearance



# Highline Fifty Collection

## Meeting Tables

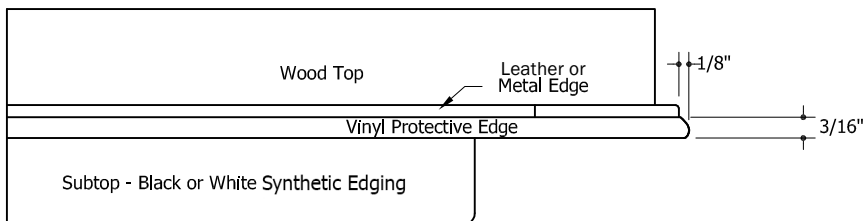
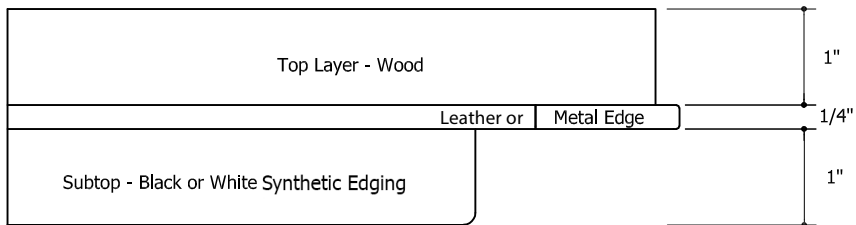
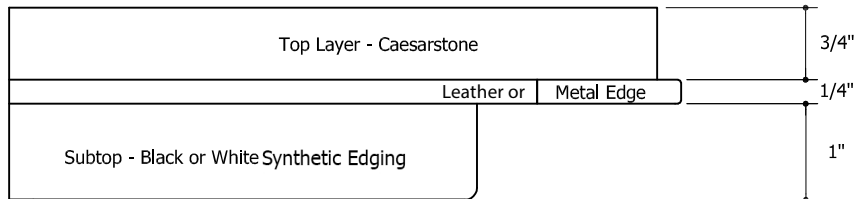
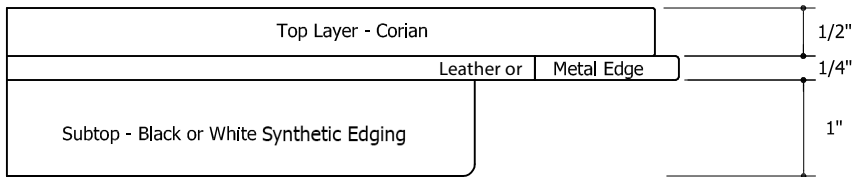
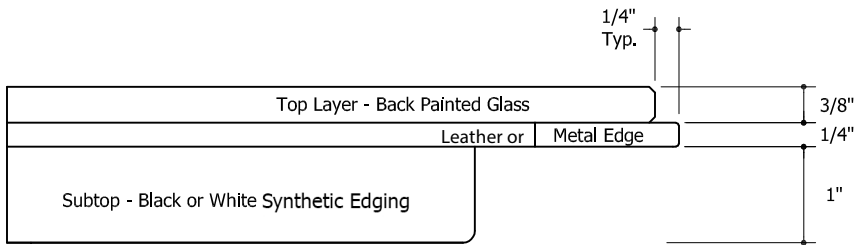
### Top Construction



# Highline Collection

## Meeting Tables

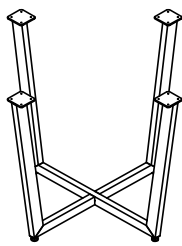
### Top Construction



# Highline Collection

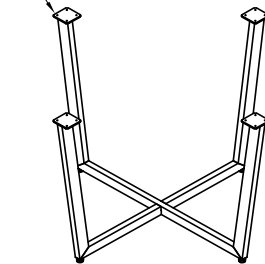
## Meeting Tables

### Base Construction

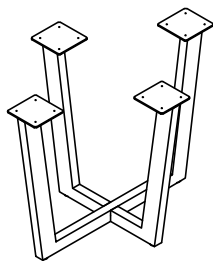


Small "X"- base

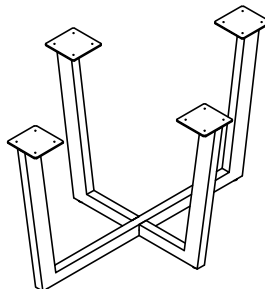
Mounting plates  
Predrilled holes  
in Subtop  
for easy install



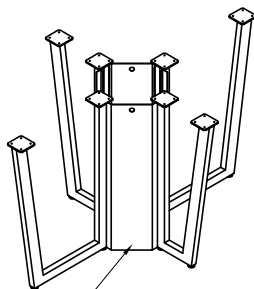
Large "X"- base



Small "XE"- base

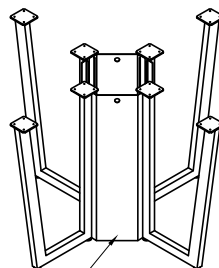


Large "XE"- base



"XEP"- base

Removable Access panels -  
9 3/4" diameter clear opening  
at floor for stub-up



"XP"- base

Removable Access panels -  
9 3/4" diameter clear opening  
at floor for stub-up

#### Construction

- Tubular steel "X" base
- Small "X" base: 42" / 48" Round and Square meeting tables
- Large "X" base: 60" / 72" Round and Square meeting tables
- Small "XE" base: 42" Elliptical meeting tables
- Large "XE" base: 48" Elliptical meeting tables
- "XP" Wire Management base is automatically included when power and connectivity are specified on Square and Round meeting tables
- "XEP" Wire Management base is automatically included used when power and connectivity are specified on Elliptical meeting tables

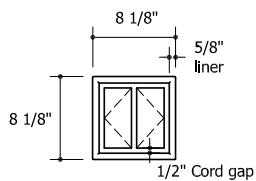


# Highline Collection

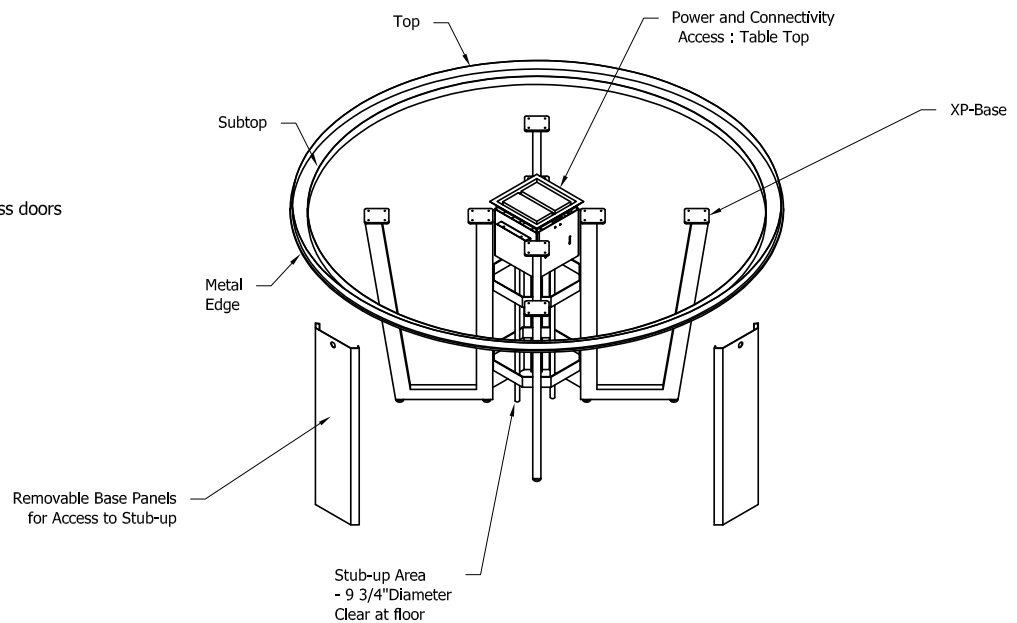
## Meeting Tables

### Power & Connectivity

#### Table Top



Metal Trim Liner with Matching Metal Access doors



Meeting Table Top access (shown populated)

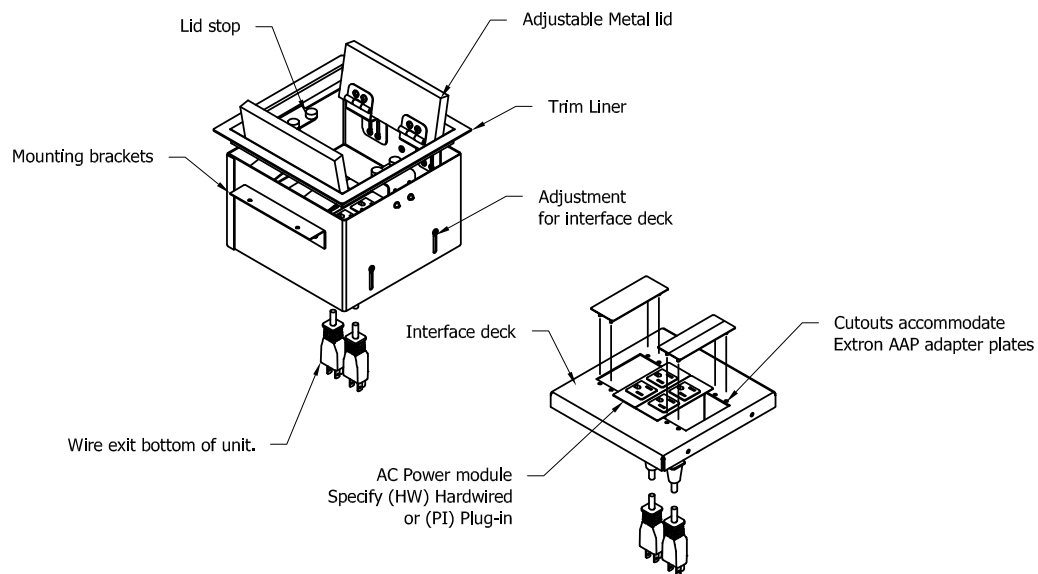
- Provided with 2 AC power modules - specify hardwired (HW) or plug in (PI), 1 double and 2 single space blank plates
- For additional connectivity, replace blank plates with Extron single or double space AAP plates as desired. For more information see [extron.com](http://extron.com)

# Highline Collection

## Meeting Tables

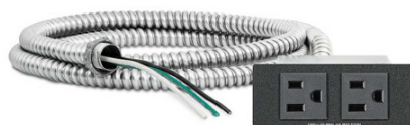
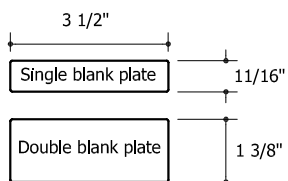
### Power & Connectivity

#### Table Top



#### Meeting Table Top access

- Provided with 2 AC power modules - specify hardwired (HW) or plug in (PI), 1 double and 2 single space blank plates
- For additional connectivity replace blank plates with Extron single or double space AAP plates as desired. For more information see [extron.com](http://extron.com)



#### AC Module Hardwired (HW)

- 3/8" diameter x 6' long metal-clad cable with 6" pigtail
- Additional knockouts for series wiring
- 12A max per module



#### AC Module Plug In (PI)

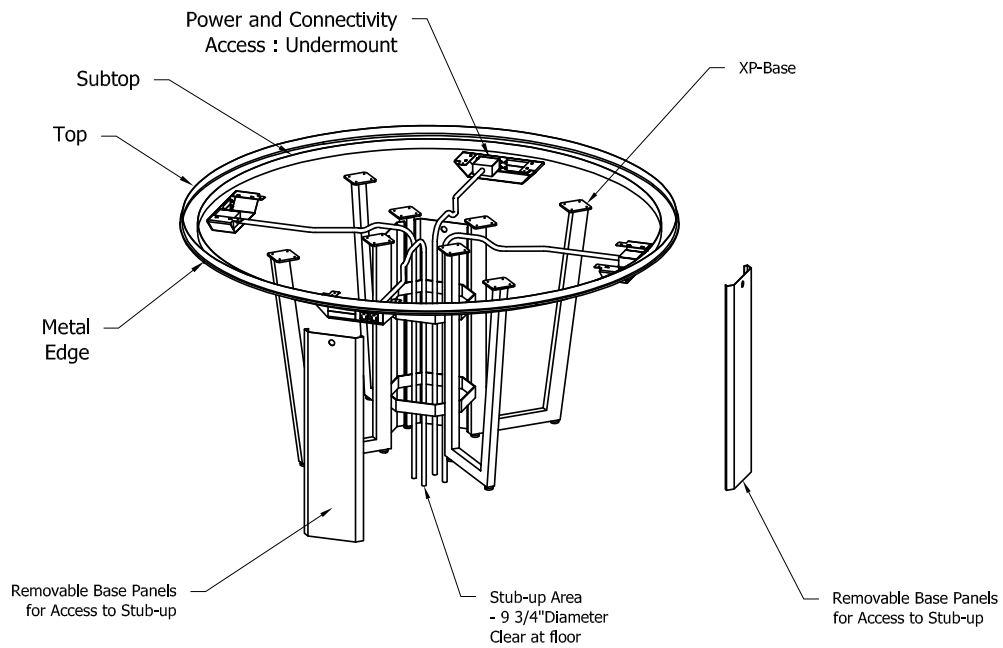
- 7.5' detachable soft cord
- 6A max per module

# Highline Collection

## Meeting Tables

### Power & Connectivity

#### Undermount



Undermount access (shown populated)

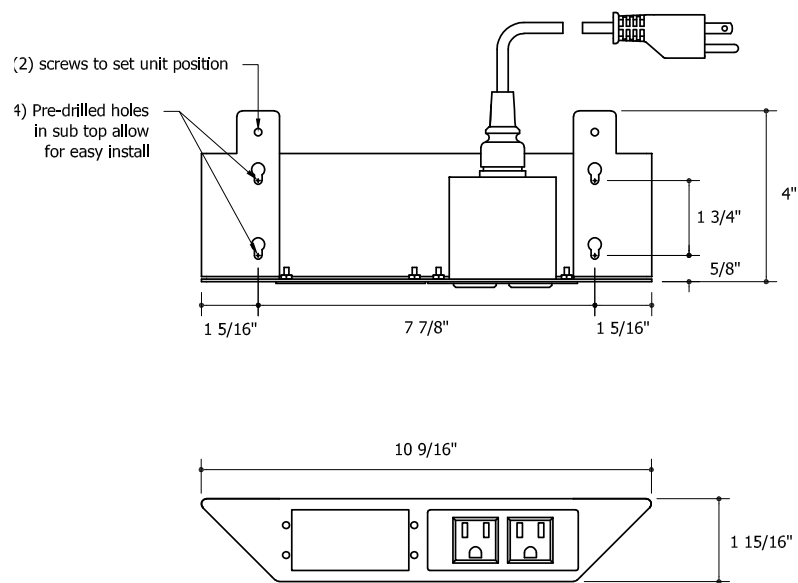
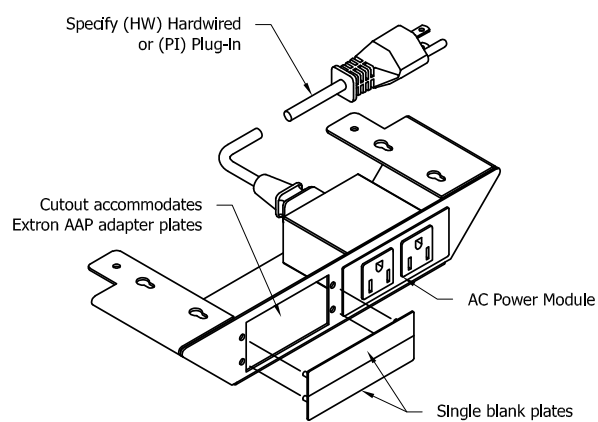
- Interior: Black powder coat metallic finish (MC12)
- Provided with 1 AC power module - specify hardwired (HW) or plug in (PI), and 2 single space blank plates
- For additional connectivity, replace blank plates with Extron single or double space AAP plates as desired. For more information see [extron.com](http://extron.com)

# Highline Collection

## Meeting Tables

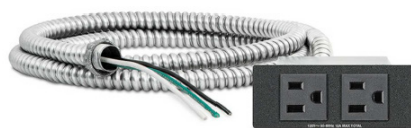
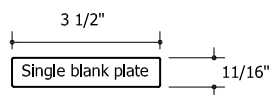
### Power & Connectivity

#### Undermount



#### Undermount Access

- Interior: Black powder coat metallic finish (MC12)
- Provided with 1 AC power module - specify hardwired (HW) or plug in (PI), and 2 single space blank plates
- For additional connectivity, replace blank plates with Extron single or double space AAP plates as desired. For more information see [extron.com](http://extron.com)



- AC Module Hardwired (HW)**
- 3/8" diameter x 6' long metal-clad cable with 6" pigtail
  - Additional knockouts for series wiring
  - 12A max per module

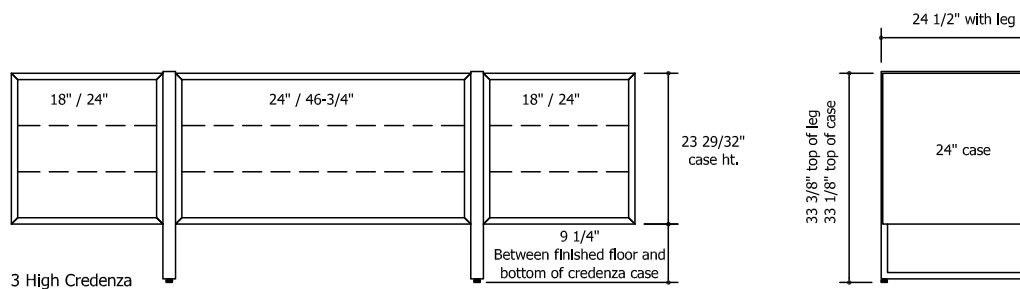
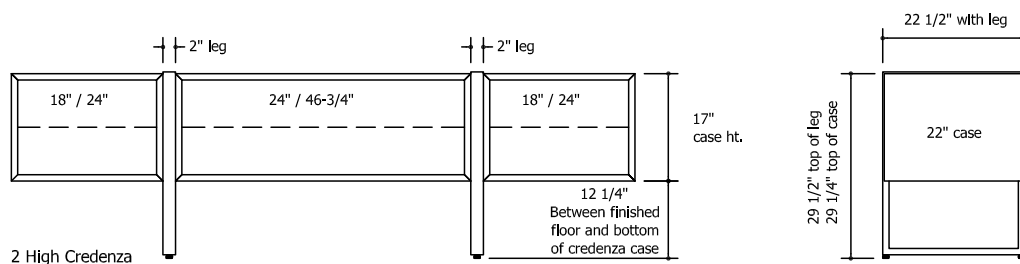
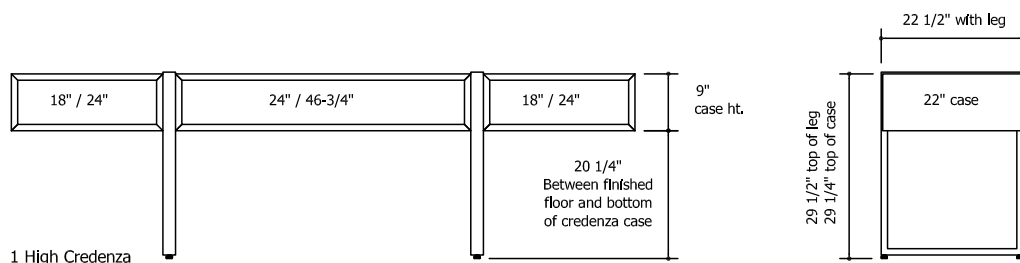
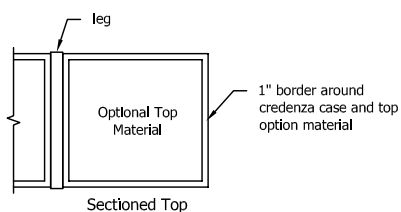
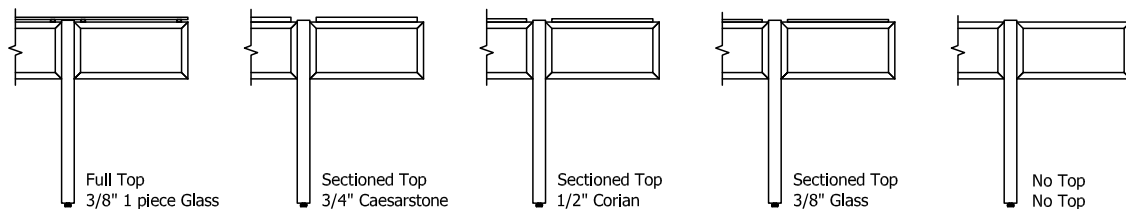


- AC Module Plug In (PI)**
- 7.5' detachable soft cord
  - 6A max per module

# Highline Collection

## Credenzas

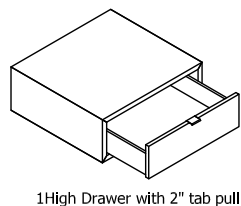
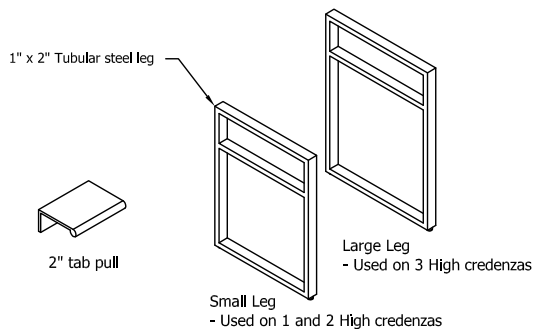
### Elevations and Optional Tops



# Highline Collection

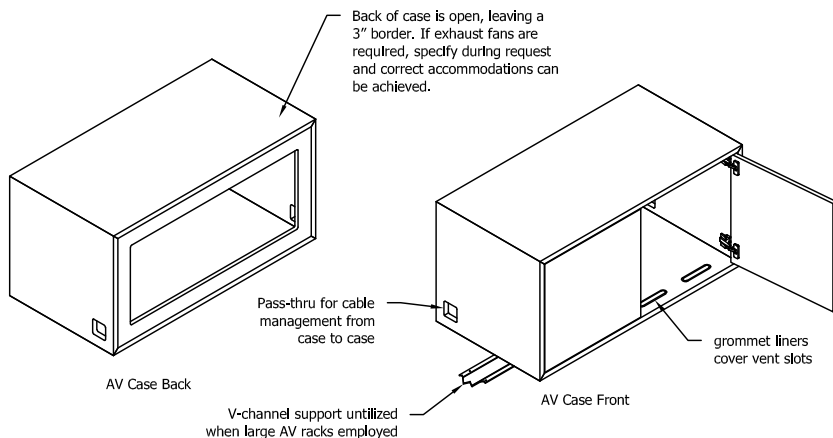
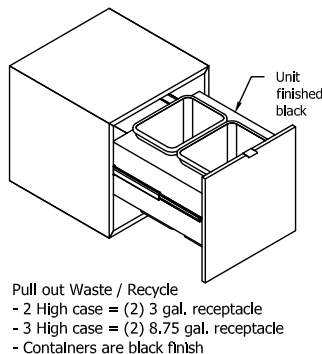
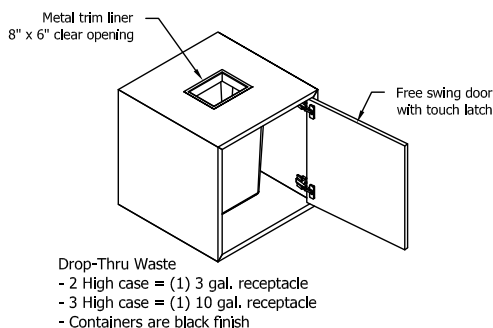
## Credenza

### Leg and Case Details



#### Credenza Notes

- Pulls and trash liners come in the specified metal finish
- All drawers have a 2" tab pull located in the center of the top edge of each drawer front
- All drawers use partial extension, self-closing undermount slides
- Pull-out trash units use full extension side mount slides
- All doors use free swing hinges and touch latches
- All credenza top material finishes are secured to the case with silicone except for tops finished with full clear glass (FG GC00)
- Full clear glass (FG GC00) rests atop of 3/8" bumpers located on top of case
- Drop-through trash option is available with all top options except with full clear glass (FG GC00)



#### AV CASE

- All AV cases have an open back with a 3" border
- Coordinate AV requirements with the interior clearance dimensions provided below to ensure fit

#### 18" Case

14.25" wide x 22.18" deep x 21.15" high

#### 24" Case

20.25" wide x 22.18" deep x 21.15" high

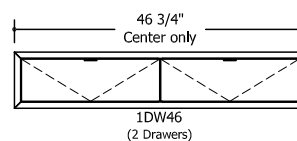
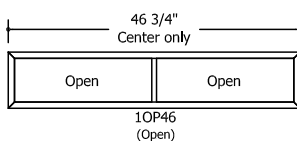
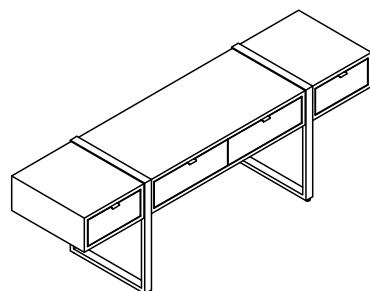
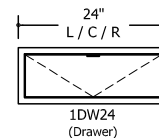
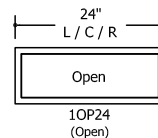
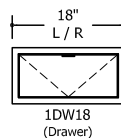
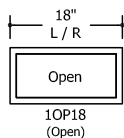
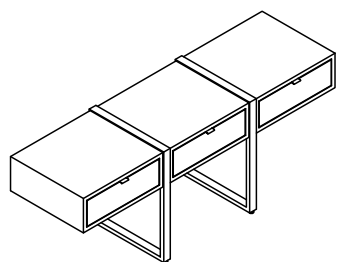
#### 47" Case

41.25" wide x 22.18" deep x 21.15" high

# Highline Collection

## 1 High Credenza

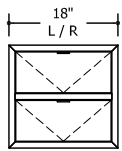
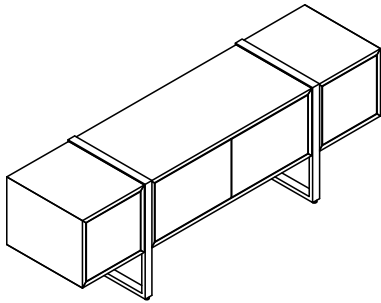
### Positional Configurations



# Highline Collection

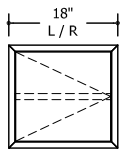
## 2 High Credenzas

### Positional Configurations



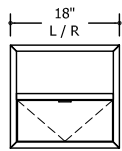
18"  
L / R

2DW18  
(2 Drawers)



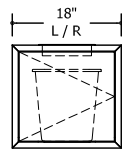
18"  
L / R

2DR18  
(Door w/adj. Shelf)



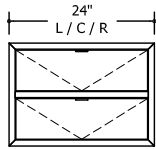
18"  
L / R

2OW18  
(Open over Drawer)



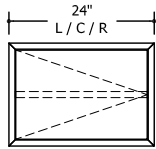
18"  
L / R

2TT18  
(Trash thru Top  
w/1 single can only)



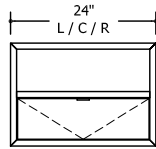
24"  
L / C / R

2DW24  
(2 Drawers)



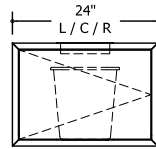
24"  
L / C / R

2DR24  
(Door w/adj. Shelf)



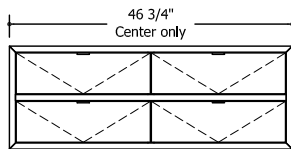
24"  
L / C / R

2OW24  
(Open over Drawer)



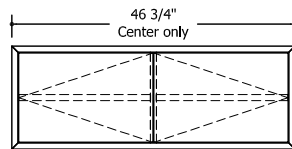
24"  
L / C / R

2TT24  
(Trash thru Top  
w/1 single can only)



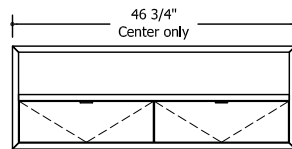
46 3/4"  
Center only

2DW46  
(4 Drawers)



46 3/4"  
Center only

2DR46  
(2 Doors w/2 adj. Shelves)



46 3/4"  
Center only

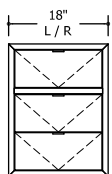
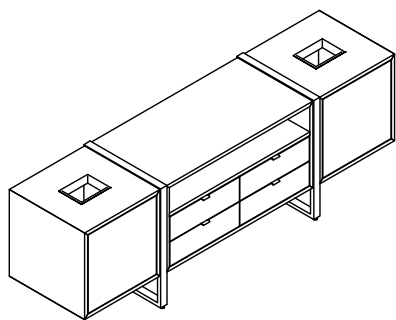
2OW46  
(Open over 2 Drawers)



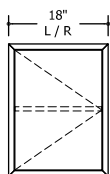
# Highline Collection

## 3 High Credenzas

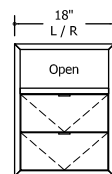
### Positional Configurations



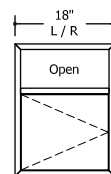
3DW18  
(3 Drawers)



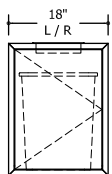
3DR18  
(Door w/adj. shelf)



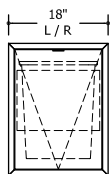
3OW18  
(Open over 2 Drawers)



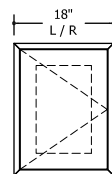
3OR18  
(Open over Door)



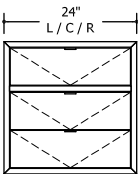
3TT18  
(Trash thru top  
w/1 single can only)



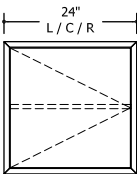
3TP18  
(Trash pullout w/2  
single cans front to back)



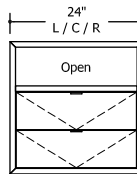
3AV18  
(AV case, venting,  
Large wire access)



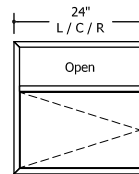
3DW24  
(3 Drawers)



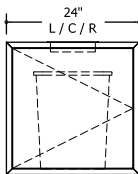
3DR24  
(Door w/adj. shelf)



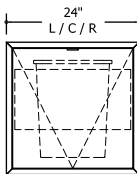
3OW24  
(Open over 2 Drawers)



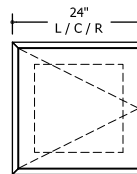
3OR24  
(Open over Door)



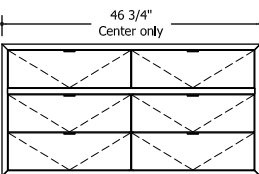
3TT24  
(Trash thru top  
w/1 single can only)



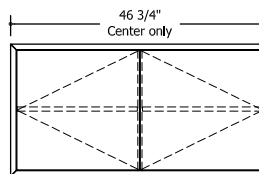
3TP24  
(Trash pullout w/2  
single cans front to back)



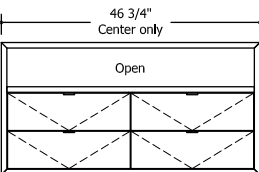
3AV24  
(AV case, venting,  
Large wire access)



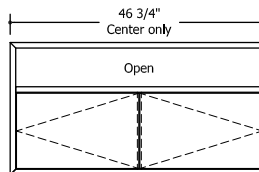
3DW46  
(6 Drawers)



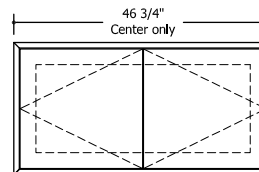
3DR46  
(2 Doors w/2adj. shelf)



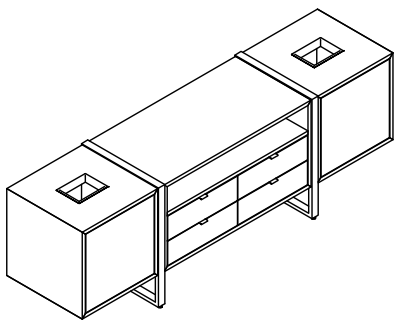
3OW46  
(Open over 4 Drawers)



3OR46  
(Open over Doors)



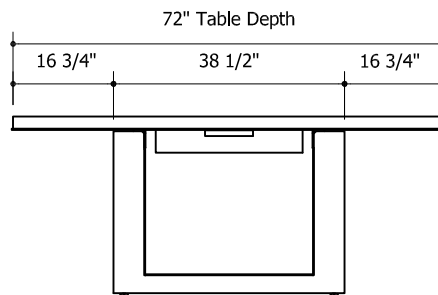
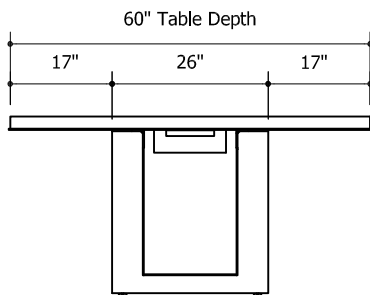
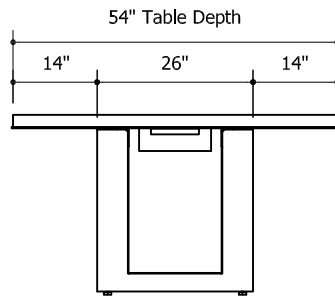
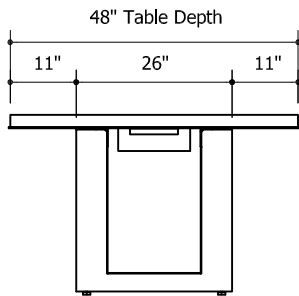
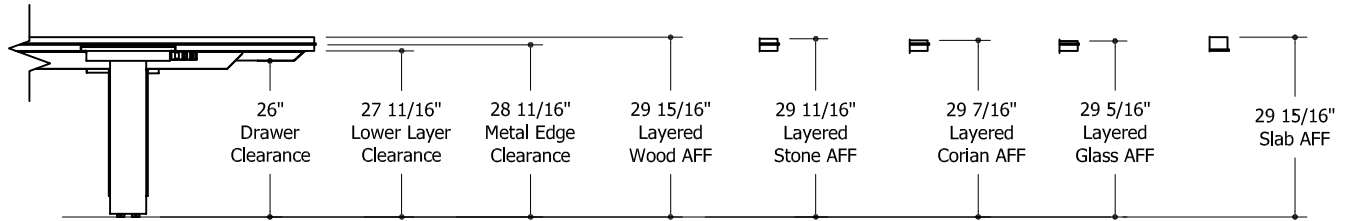
3AV46  
(AV case, venting, Large wire access)



# Highline Fifty Collection

## Conference Tables

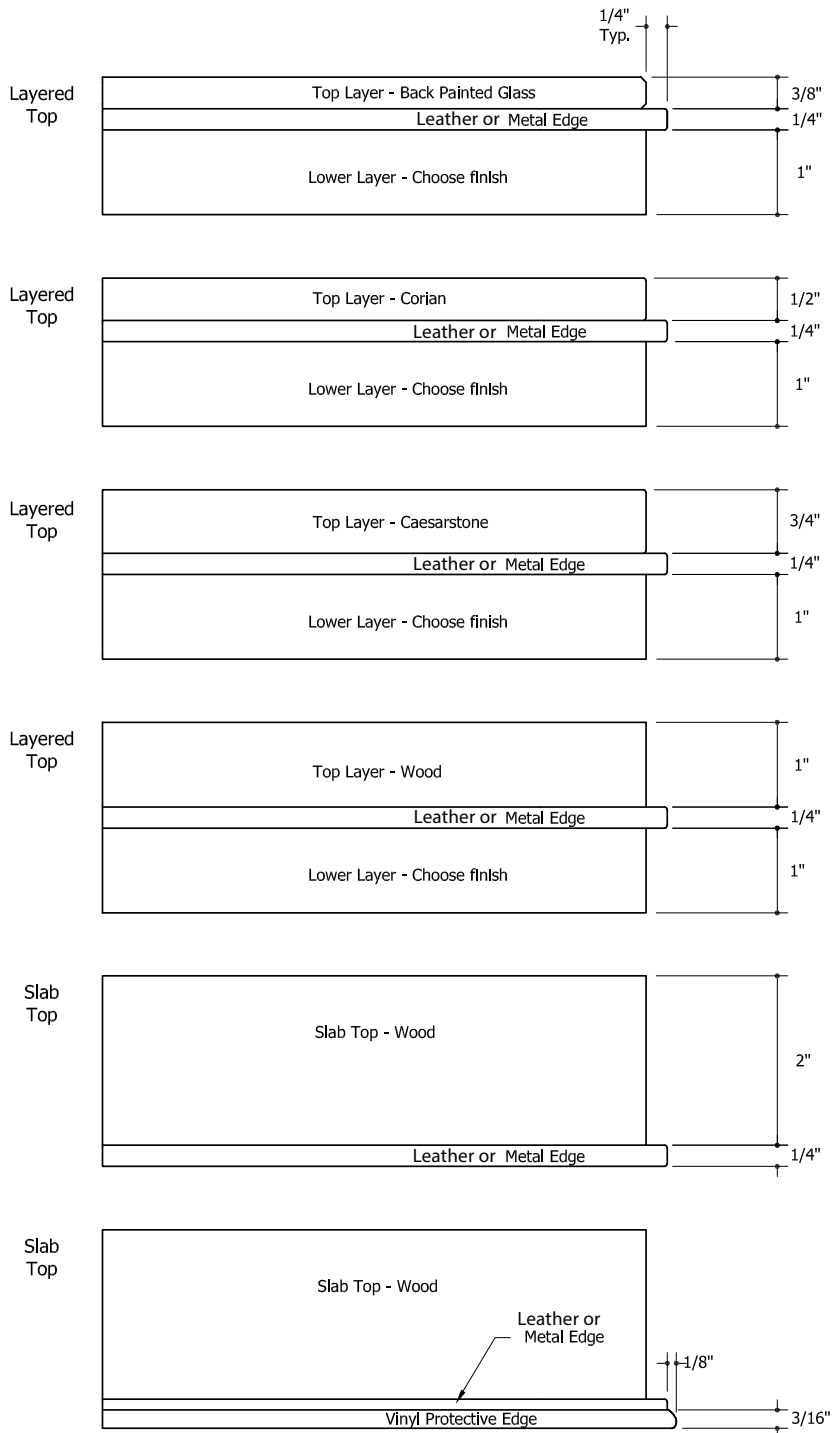
### Overall Elevations and Clearance



# Highline Fifty Collection

## Conference Tables

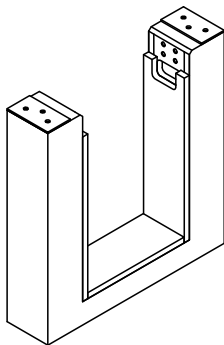
### Top Construction



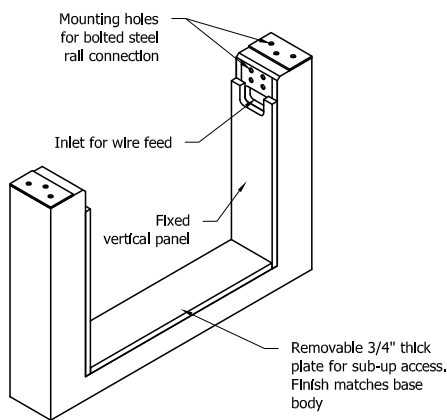
# Highline Fifty Collection

## Conference Tables

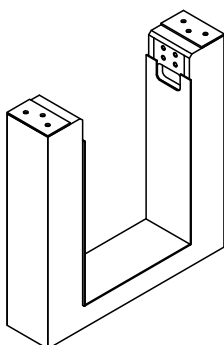
### Base Construction



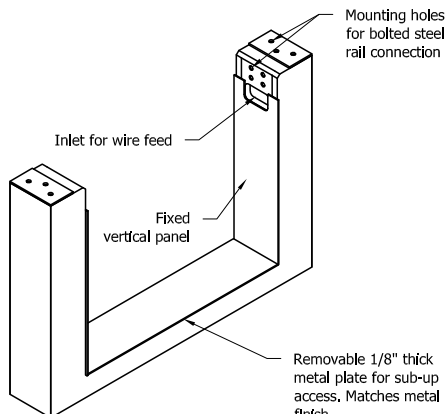
Small base : 42" / 48" / 54" / 60" Deep Tables  
"ON" Open Base, no metal trim



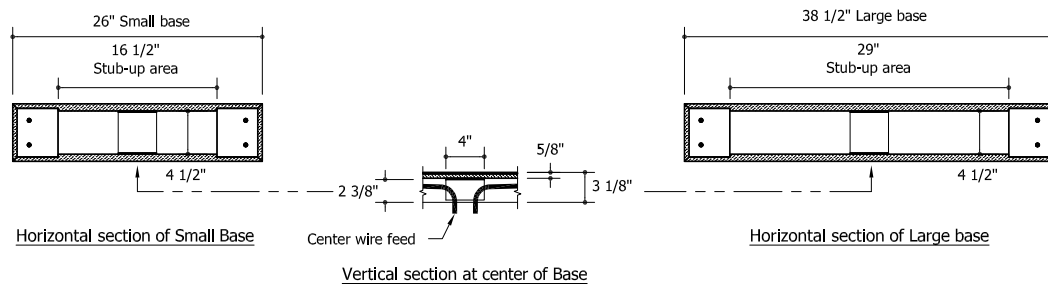
Large base : 72" Deep Tables  
"ON" Open Base, no metal trim



Small base : 42" / 48" / 54" / 60" Deep Tables  
"OT" Open Base, with metal trim



Large base : 72" Deep Tables  
"OT" Open Base, with metal trim

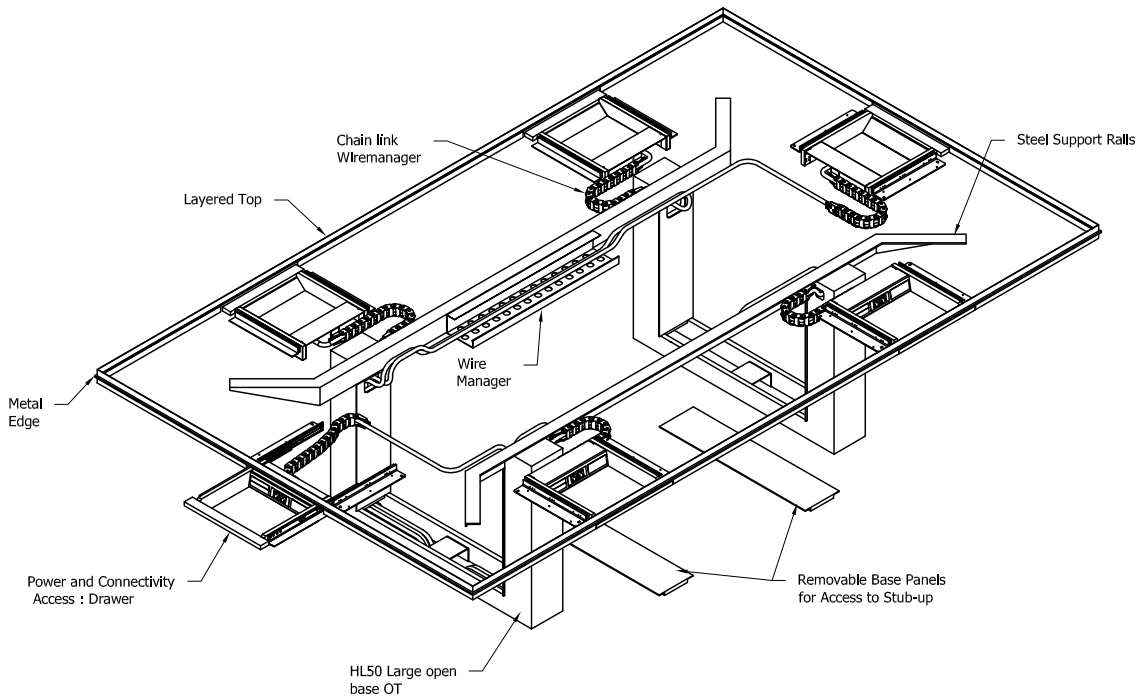


# Highline Fifty Collection

## Conference Tables

### Power & Connectivity

### Drawers

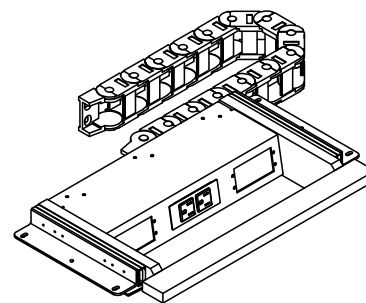
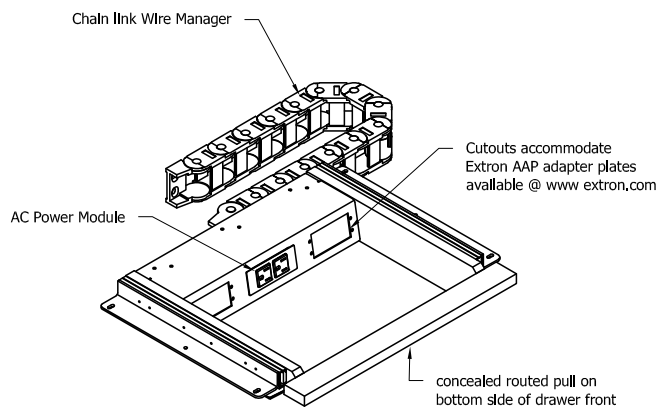


Drawer (shown populated)

- Interior: Black powder coat metallic finish (MC12)
- Provided with 1 AC power module - specify hardwired (HW) or plug in (PI), and 2 single space blank plates
- For additional connectivity, replace blank plates with Extron single or double space AAP plates as desired. For more information see [extron.com](http://extron.com)

# Highline Fifty Collection

## Conference Tables Power & Connectivity Drawers

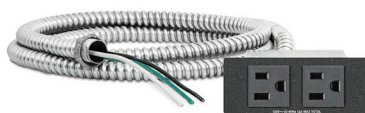
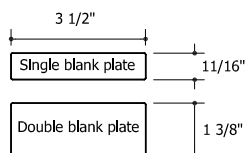


### Large Drawer

- 6 1/2" deep x 12 3/4" wide flat storage with 2 1/2" interior height
- 3/8" gap above drawer for cord exit
- Concealed routed finger pull under front
- Used at table ends
- Used along the length of 60" / 72" deep tables
- Interior drawer finish: Black powder coat metallic (MC12)
- Drawer front matches lower layer finish
- Provided with 1 AC power module - specify hardwired (HW) or plug in (PI), and 2 single space blank plates

### Small Drawer

- 1 7/8" deep x 12 3/4" wide flat storage with 2 1/2" interior height
- 3/8" gap above drawer for cord exit
- Concealed routed finger pull under front
- Used along the length of 48" / 54" deep tables
- Interior drawer finish: Black powder coat metallic (MC12)
- Drawer front matches lower layer finish
- Provided with 1 AC power module - specify hardwired (HW) or plug in (PI), and 2 single space blank plates



### AC Module Hardwired (HW)

- 3/8" diameter x 6' long metal-clad cable with 6" pigtail
- Additional knockouts for series wiring
- 12A max per module



### AC Module Plug In (PI)

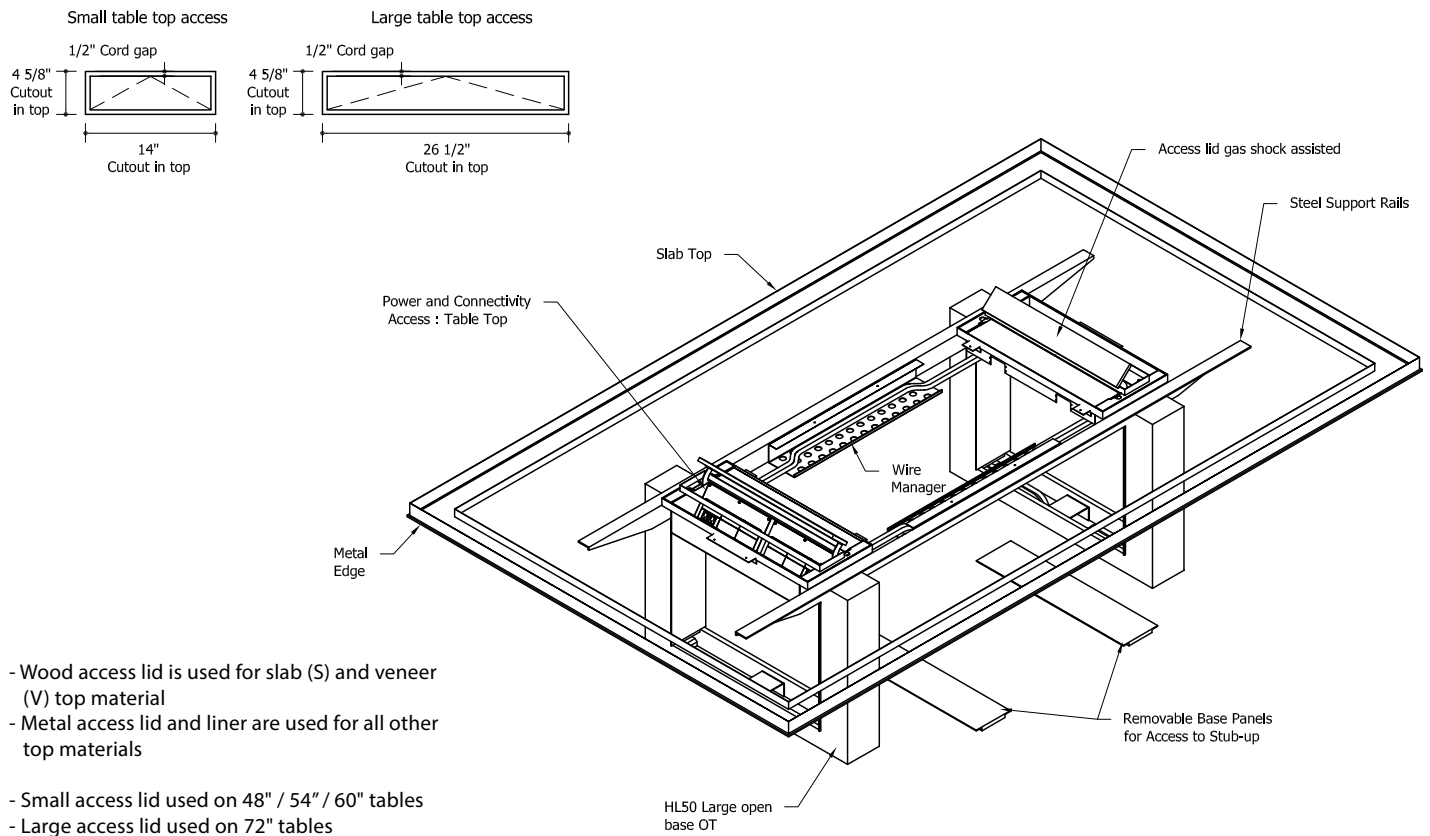
- 7.5' detachable soft cord
- 6A max per module

# Highline Fifty Collection

## Conference Tables

### Power & Connectivity

#### Table Top: Small and Large



Small Table Top access (shown populated)



Small Table Top access (shown with optional faceplate)

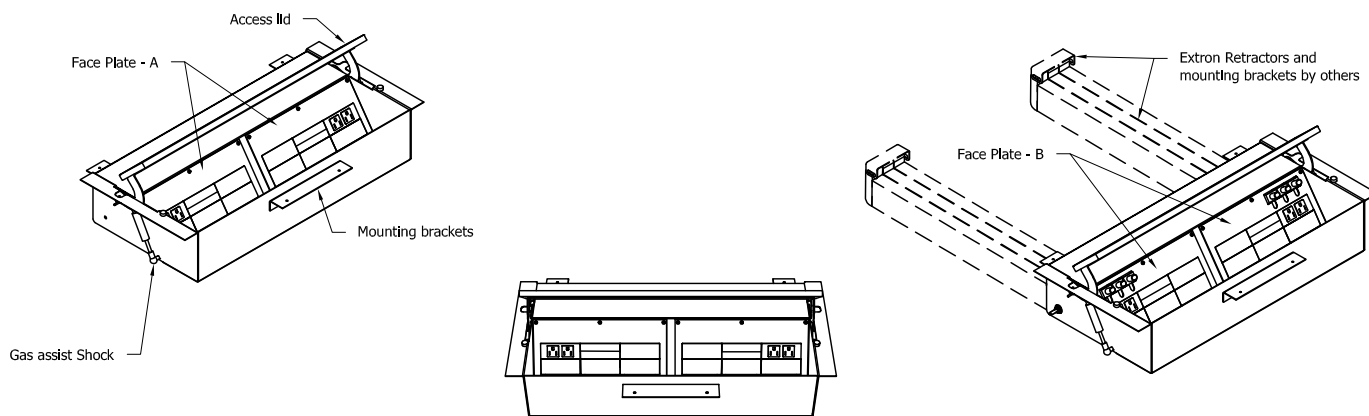
- Provided with 2 AC power modules - specify hardwired (HW) or plug in (PI), 3 double space and 2 single space blank plates
- For additional connectivity, replace blank plates with Extron single or double space AAP plates as desired. For more information see [extron.com](http://extron.com)

# Highline Fifty Collection

## Conference Tables

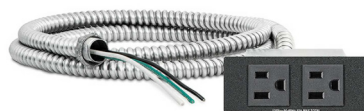
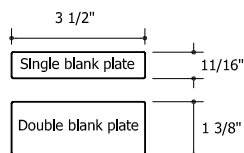
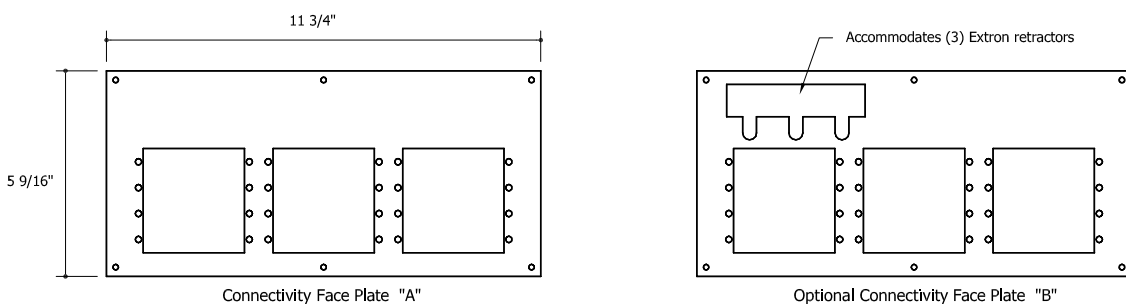
### Power & Connectivity

#### Table Top: Large



- Interior: Black powder coat metallic finish (MC12)
- Used on 48" / 54" / 60" width tables
- Connectivity: Face Plate "A" Qty 2 is standard
- Connectivity: Face Plate "B" Is used with Extron retractors
- Face Plates are removable to allow for easy population by AV installer

- Provided with 2 AC power modules - specify hardwired (HW) or plug in (PI), 8 double space and 4 single space blank plates
- For additional connectivity, replace blank plates with Extron single or double space AAP plates as desired. For more information see [extron.com](http://extron.com)



- AC Module Hardwired (HW)**
- 3/8" diameter x 6' long metal-clad cable with 6" pigtail
  - Additional knockouts for series wiring
  - 12A max per module

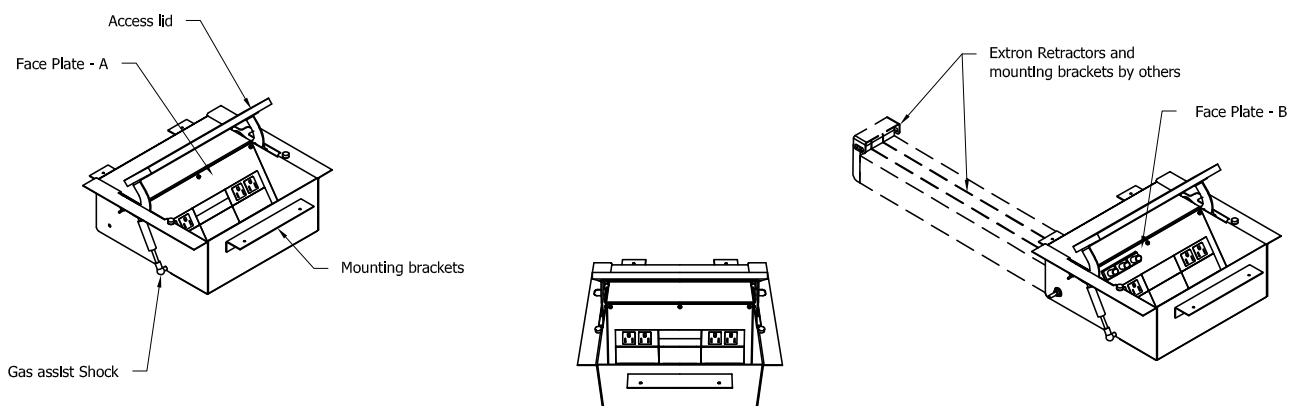


- AC Module Plug In (PI)**
- 7.5' detachable soft cord
  - 6A max per module



# Highline Fifty Collection

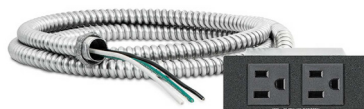
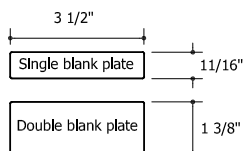
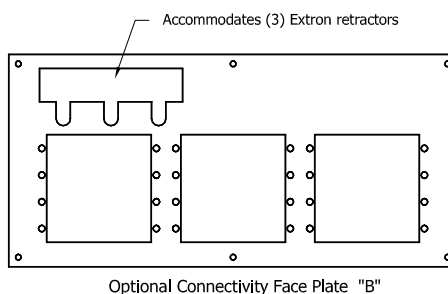
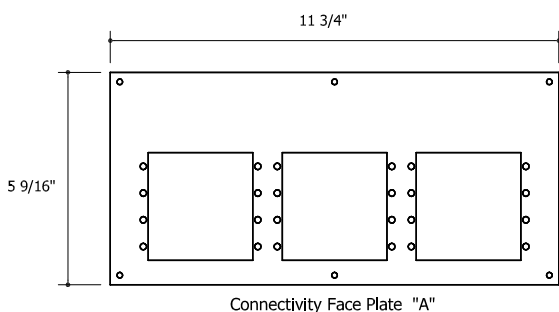
## Conference Tables Power & Connectivity Table Top Small



### Table Top Access

- Interior: Black powder coat metallic finish (MC12)
- Used on 72" tables
- Connectivity: Face Plate "A" Qty 1 is standard
- Connectivity: Face Plate "B" is used with Extron retractors
- Face Plates are removable to allow for easy population by AV installer

- Provided with 2 AC power modules - specify hardwired (HW) or plug in (PI), 4 double space and 2 single space blank plates
- For additional connectivity, replace blank plates with Extron single or double space AAP plates as desired. For more information see [extron.com](http://extron.com)



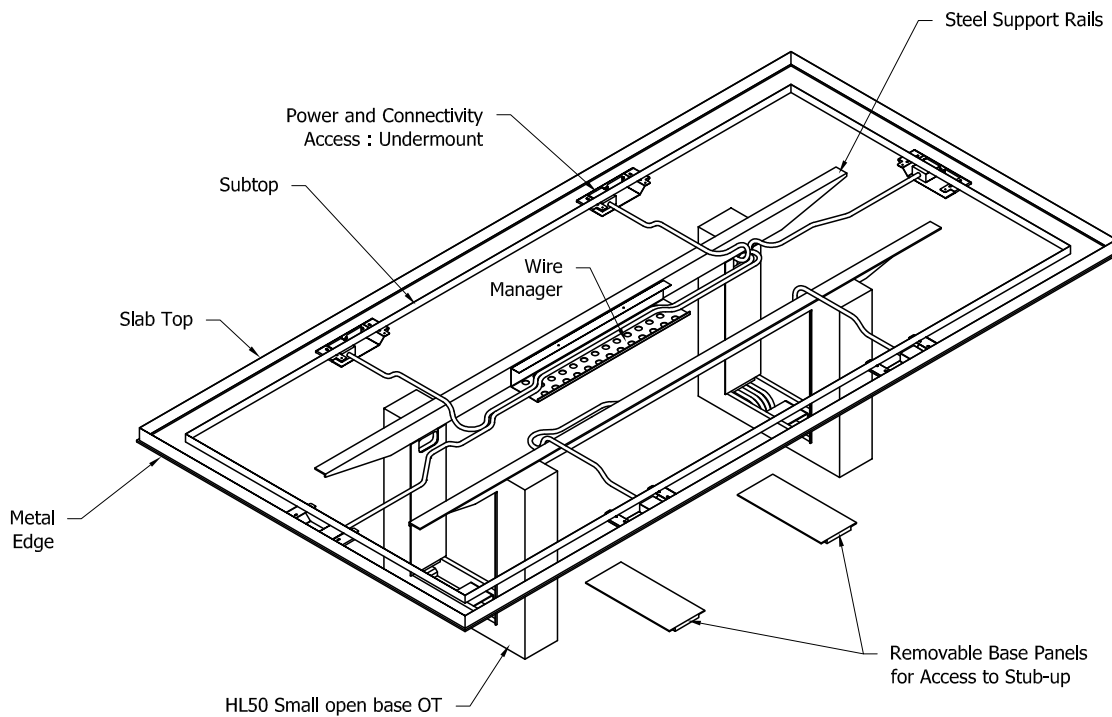
- AC Module Hardwired (HW)
- 3/8" diameter x 6' long metal-clad cable with 6" pigtail
  - Additional knockouts for series wiring
  - 12A max per module



- AC Module Plug In (PI)
- 7.5' detachable soft cord
  - 6A max per module

# Highline Fifty Collection

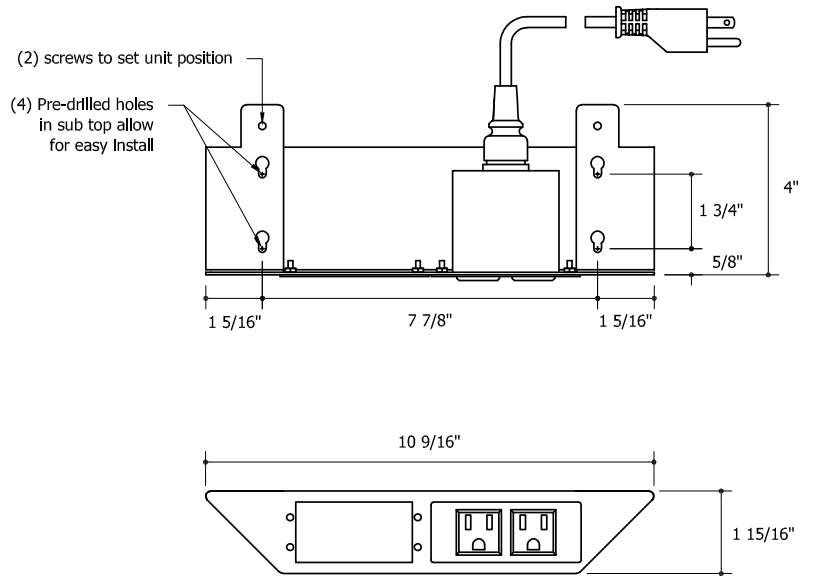
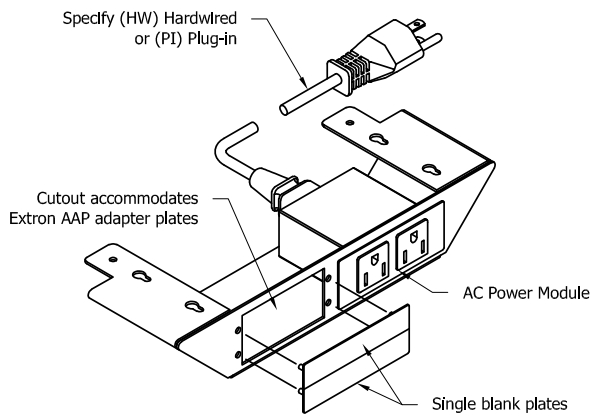
## Conference Tables Power & Connectivity Undermount



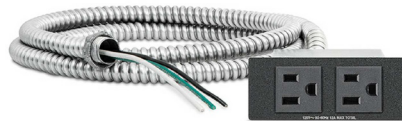
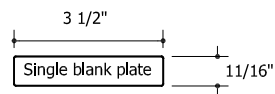
- Undermount access (shown populated)
- Black powder coat metallic finish (MC12)
  - Provided with 1 AC power module - specify hardwired (HW) or plug in (PI), and 2 single space blank plates
  - For additional connectivity replace blank plates with Extron single or double space AAP plates as desired. For more information see [extron.com](http://extron.com)

# Highline Fifty Collection

## Conference Tables Power & Connectivity Undermount



- Black powder coat metallic finish (MC12)
- Provided with 1 AC power module - specify hardwired (HW) or plug in (PI), and 2 single space blank plates
- For additional connectivity replace blank plates with Extron single or double space AAP plates as desired. For more information see [extron.com](http://extron.com)



- AC Module Hardwired (HW)**
- 3/8" diameter x 6' long metal clad cable with 6" pigtail
  - Additional knockouts for series wiring
  - 12A max per module

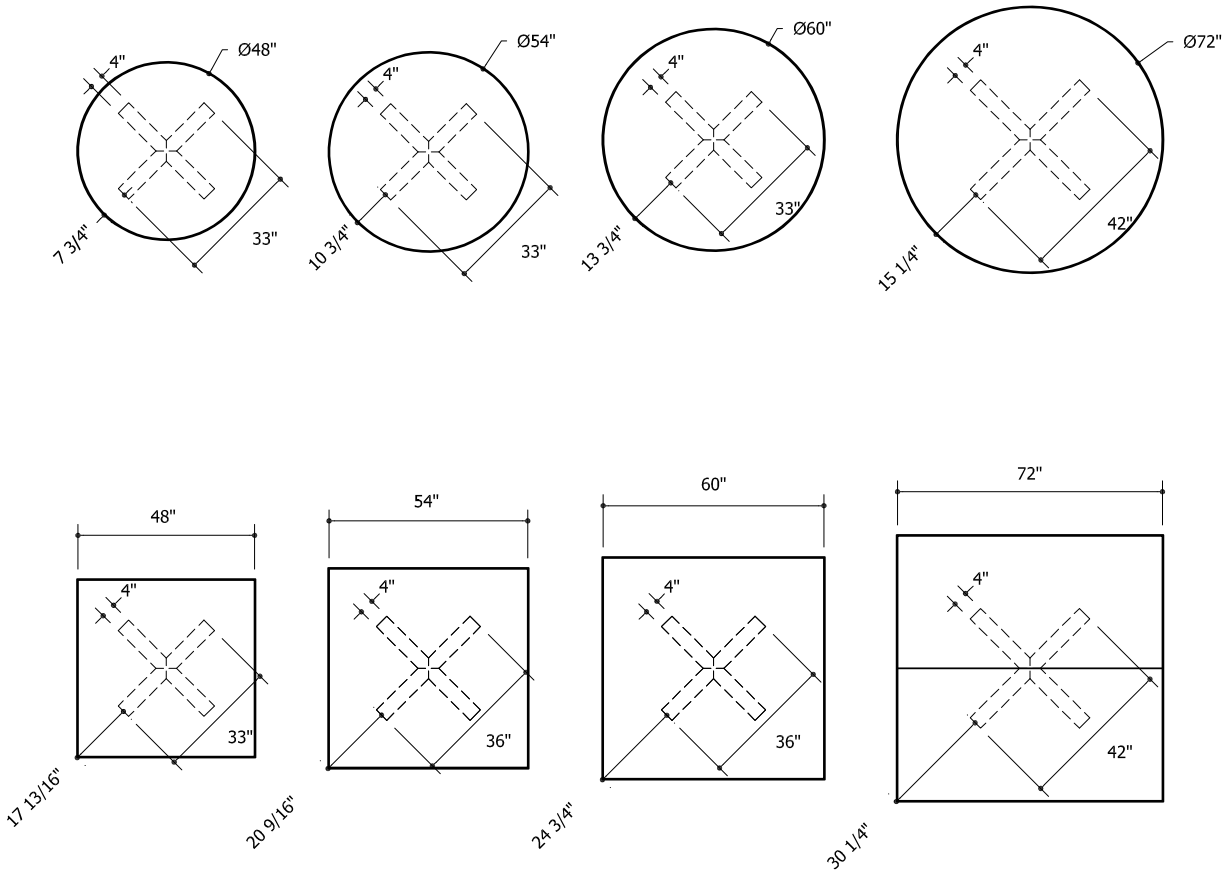
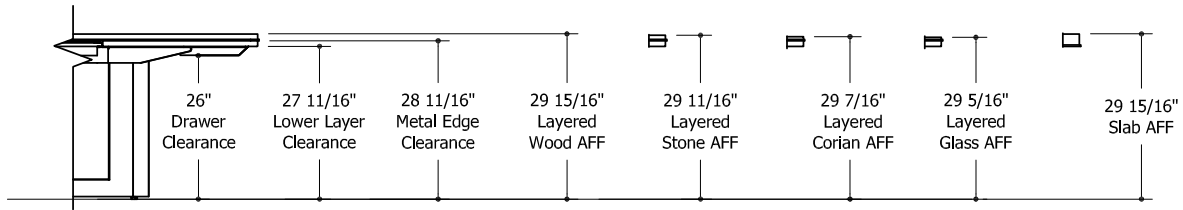


- AC Module Plug In (PI)**
- 7.5' detachable soft cord
  - 6A max per module

# Highline Fifty Collection

## Meeting Tables

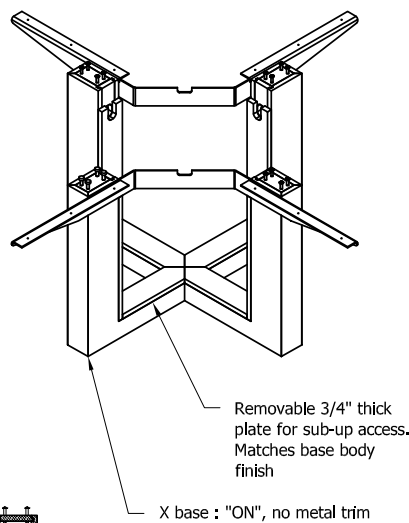
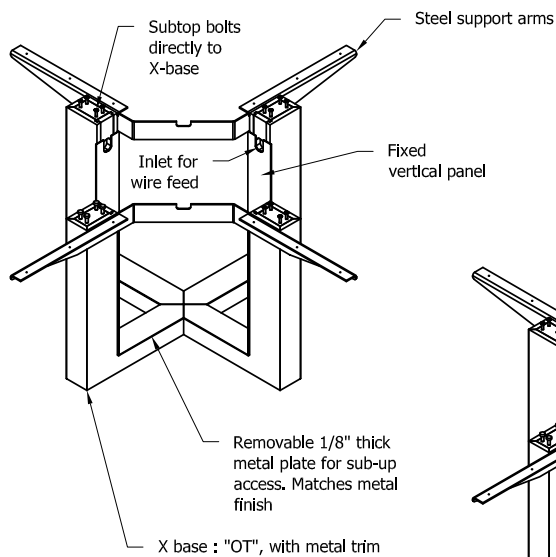
### Overall Elevations and Clearance



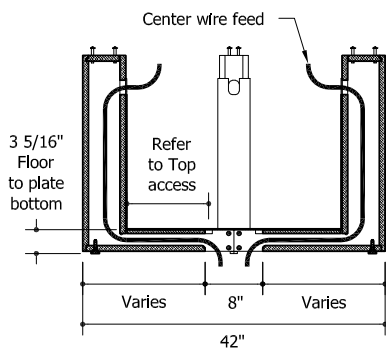
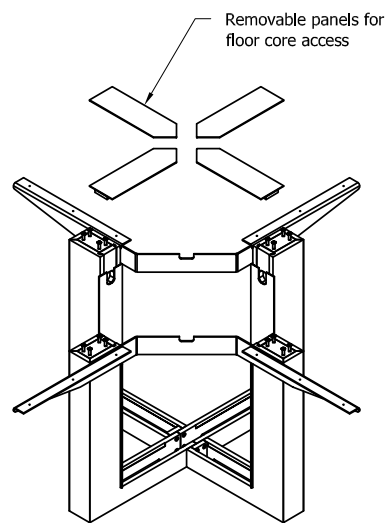
# Highline Fifty Collection

## Meeting Tables

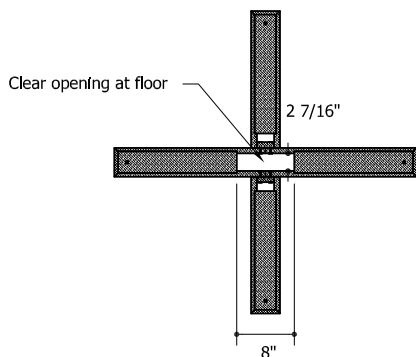
### Base Construction



- HL03 X base :
- 33" fits - 48" Round
  - 48" Square
  - 54" Round
- 36" fits - 54" Square
  - 60" Round
  - 60" Square
- 42" fits - 72" Round
  - 72" Square



- Top access:
- 33" - 2 3/8" x 6 7/8"
  - 36" - 2 3/8" x 8 3/8"
  - 42" - 2 3/8" x 11 3/8"

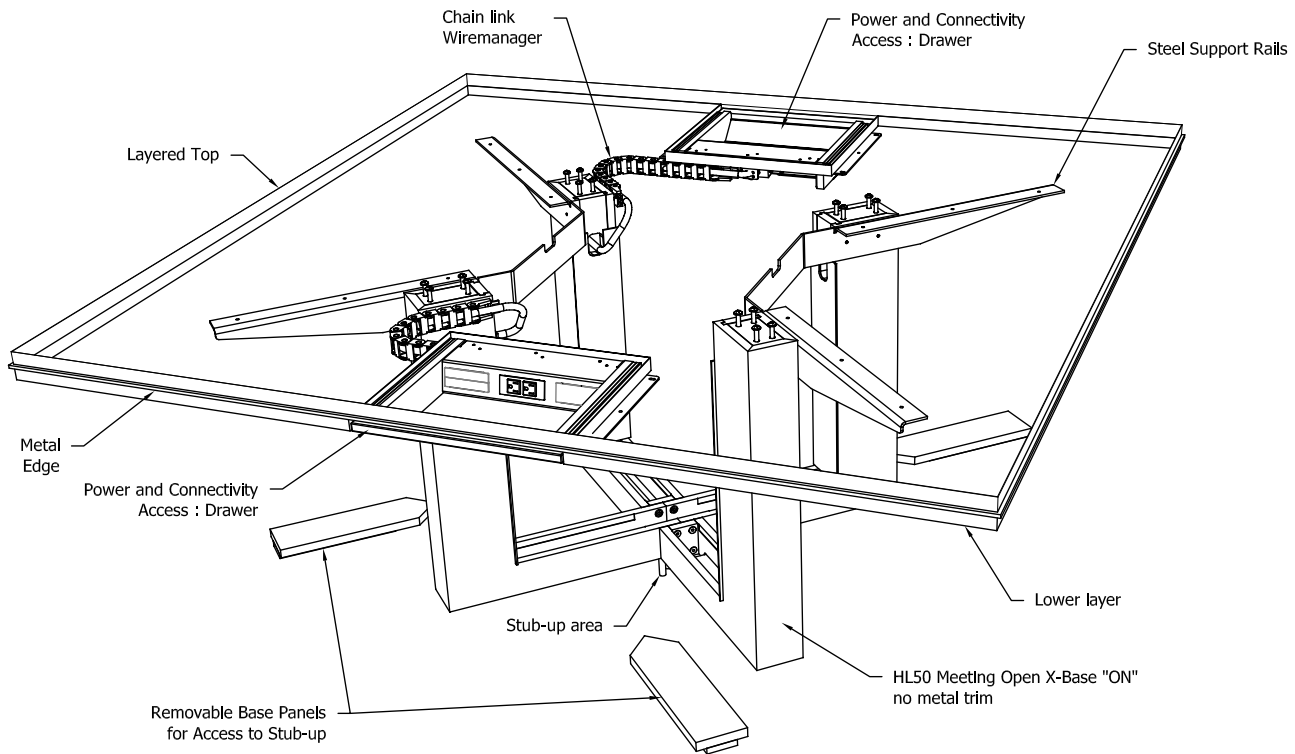


# Highline Fifty Collection

## Meeting Tables

### Power & Connectivity

#### Drawers



Drawer (shown populated)

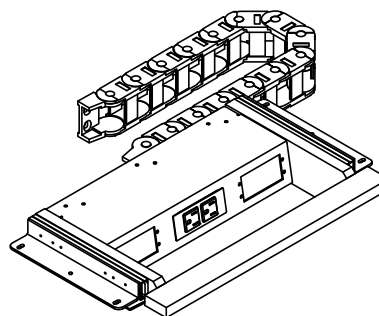
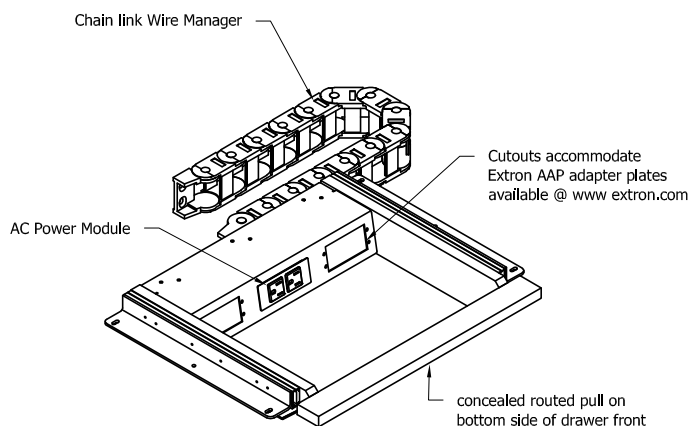
- Black powder coat metallic finish (MC12)
- Provided with 1 AC power module - specify hardwired (HW) or plug in (PI), and 2 single space blank plates
- For additional connectivity replace blank plates with Extron single or double space AAP plates as desired. For more information see [extron.com](http://extron.com)

# Highline Fifty Collection

## Meeting Tables

### Power & Connectivity

#### Drawers

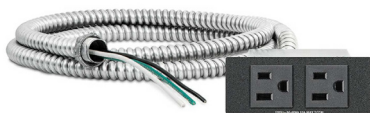
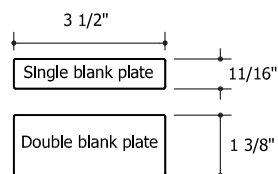


#### Large Drawer

- 6 1/2" deep x 12 3/4" wide flat storage with 2 1/2" interior height
- 3/8" gap above drawer for cord exit.
- Concealed routed finger pull under front
- Used at table ends
- Used along the length of 60" / 72" deep tables
- Interior drawer finish: Black powder coat metallic (MC12)
- Drawer front matches lower layer finish
- Provided with 1 AC power module - specify hardwired (HW) or plug in (PI), and 2 single space blank plates

#### Small Drawer

- 1 7/8" deep x 12 3/4" wide flat storage with 2 1/2" Interior height
- 3/8" gap above drawer for cord exit
- Concealed routed finger pull under front
- Used along the length of 48" / 54" deep tables
- Interior drawer finish: Black powder coat metallic (MC12)
- Drawer front matches lower layer finish
- Provided with 1 AC power module - specify hardwired (HW) or plug in (PI), and 2 single space blank plates



#### AC Module Hardwired (HW)

- 3/8" diameter x 6' long metal clad cable with 6" pigtail
- Additional knockouts for series wiring
- 12A max per module



#### AC Module Plug In (PI)

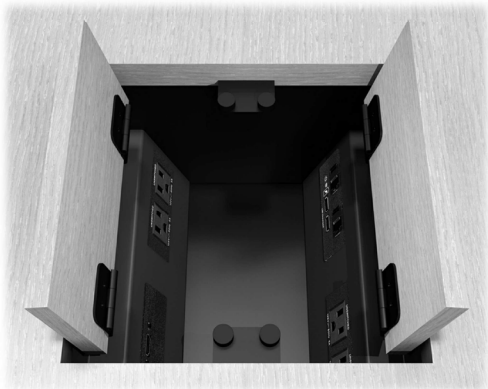
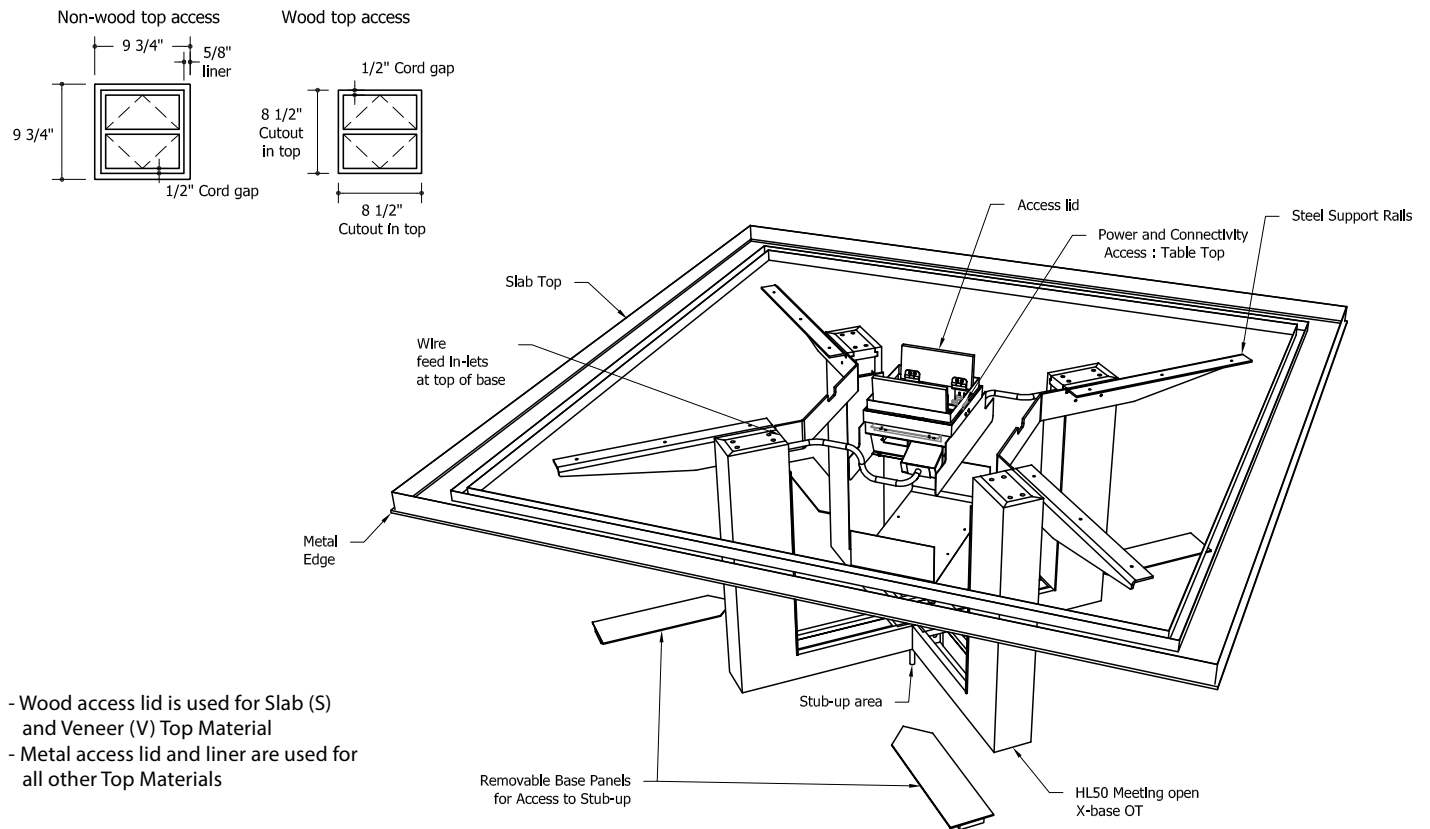
- 7.5' detachable soft cord
- 6A max per module

# Highline Fifty Collection

## Meeting Tables

### Power & Connectivity

#### Table Top



Meeting Table Top Access (shown populated)

- Provided with 2 AC power modules - specify hardwired (HW) or plug in (PI), 1 double and 2 single space blank plates
- For additional connectivity replace blank plates with Extron single or double space AAP plates as desired. For more information see [extron.com](http://extron.com)

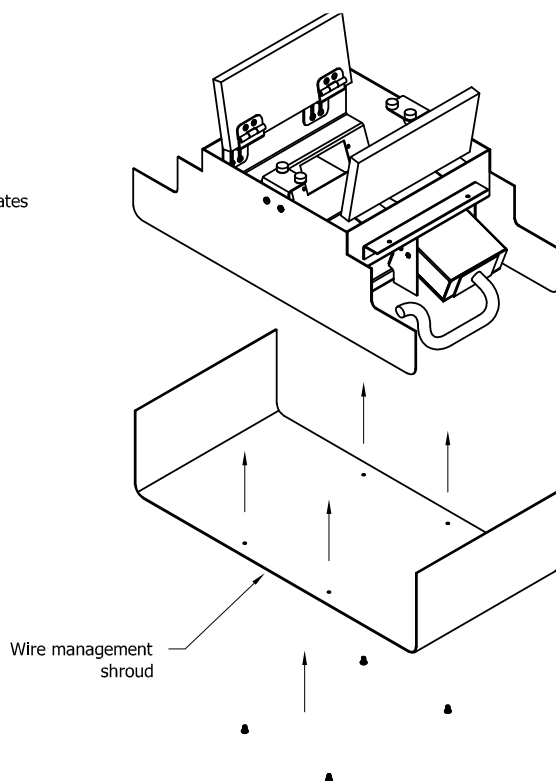
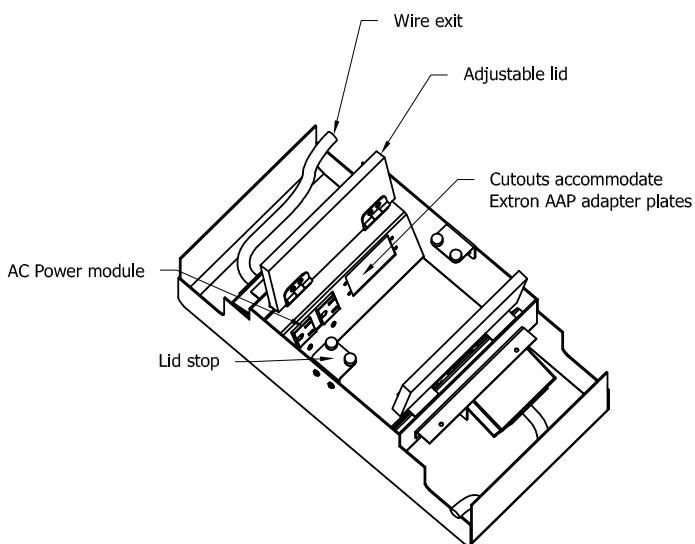


# Highline Fifty Collection

## Meeting Tables

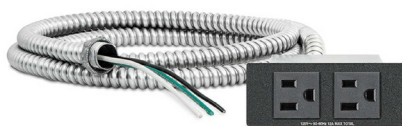
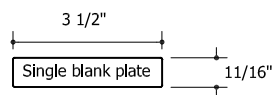
### Power & Connectivity

#### Table Top



#### Meeting Table Top access

- Provided with 2 AC power modules-specify hardwired (HW) or plug in (PI), 1 double and 2 single space blank plates
- For additional connectivity replace blank plates with Extron single or double space AAP plates as desired. For more information see [extron.com](http://extron.com)



#### AC Module Hardwired (HW)

- 3/8" diameter x 6' long metal clad cable with 6" pigtail
- Additional knockouts for series wiring
- 12A max per module



#### AC Module Plug In (PI)

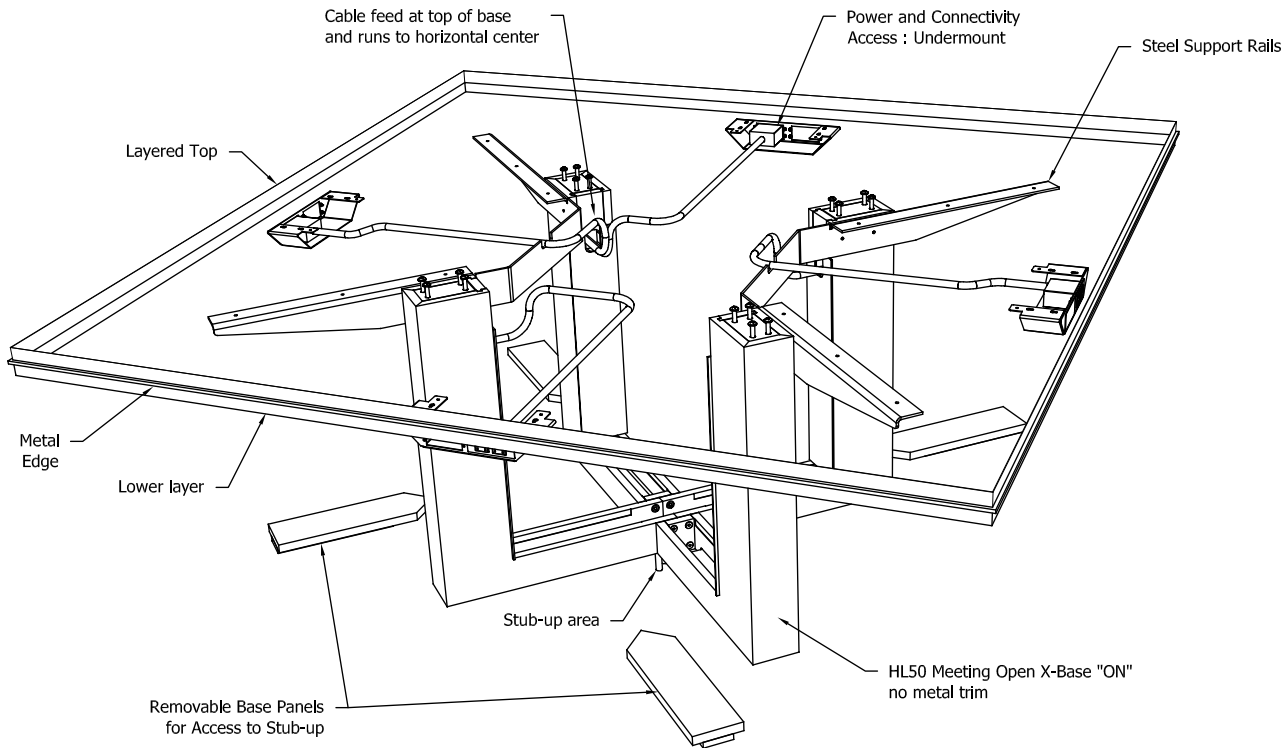
- 7.5' detachable soft cord
- 6A max per module

# Highline Fifty Collection

## Meeting Tables

### Power & Connectivity

#### Undermount



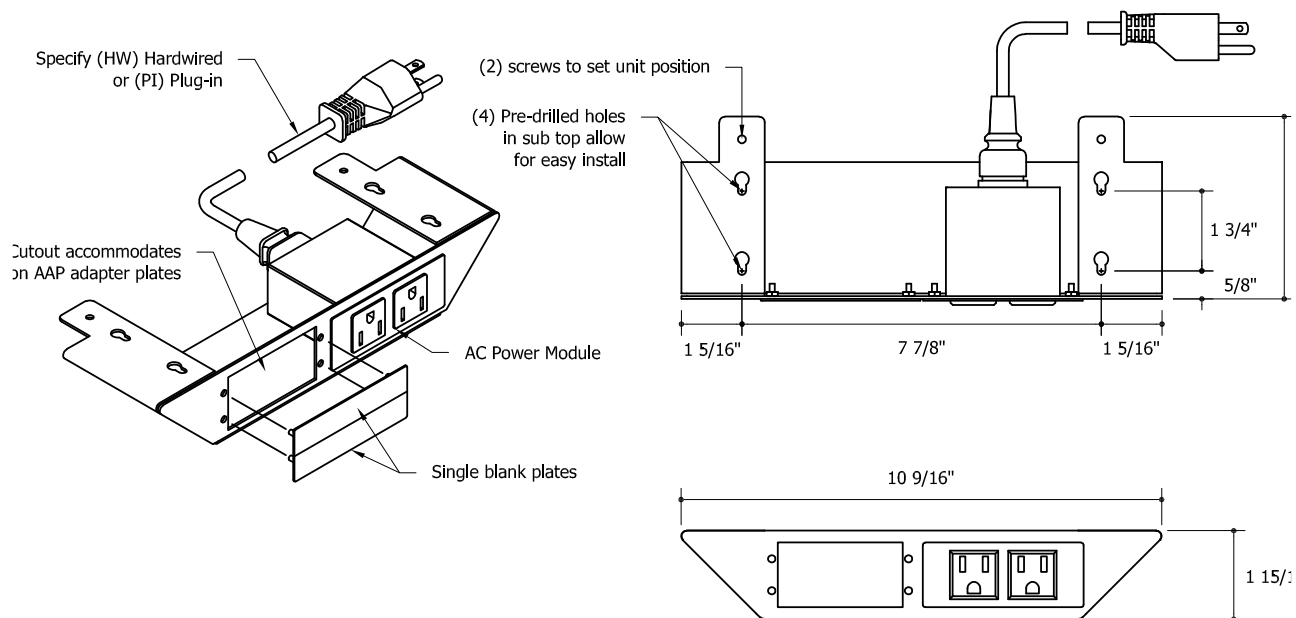
- Undermount access (shown populated)
- Black powder coat metallic finish (MC12)
  - Provided with 1 AC power module - specify hardwired (HW) or plug in (PI), and 2 single space blank plates
  - For additional connectivity replace blank plates with Extron single or double space AAP plates as desired. For more information see [extron.com](http://extron.com)

# Highline Fifty Collection

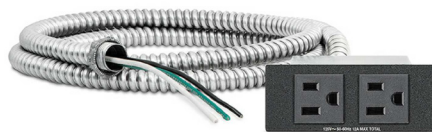
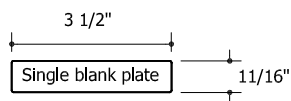
## Meeting Tables

### Power & Connectivity

#### Undermount



- Black powder coat metallic finish (MC12)
- Provided with 1 AC power module - specify hardwired (HW) or plug in (PI), and 2 single space blank plates
- For additional connectivity replace blank plates with Extron single or double space AAP plates as desired. For more information see [extron.com](http://extron.com)



- AC Module Hardwired (HW)
- 3/8" diameter x 6' long metal clad cable with 6" pigtail
  - Additional knockouts for series wiring
  - 12A max per module

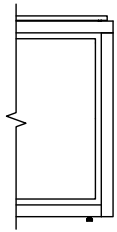


- AC Module Plug In (PI)
- 7.5' detachable soft cord
  - 6A max per module

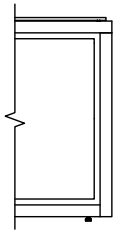
# Highline Fifty Collection

## Credenzas

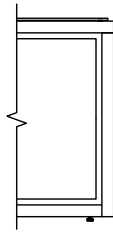
### Elevations and Optional Tops



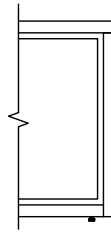
Optional Top  
3/4" Caesarstone



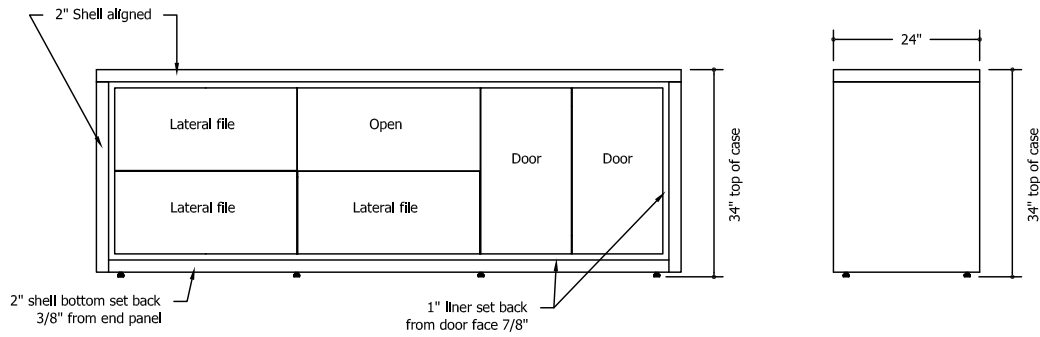
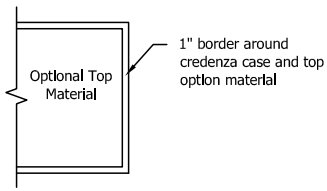
Optional Top  
1/2" Corian



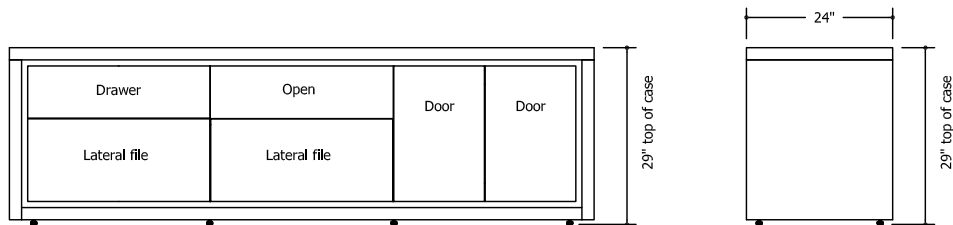
Optional Top  
3/8" Glass



Optional Top  
None



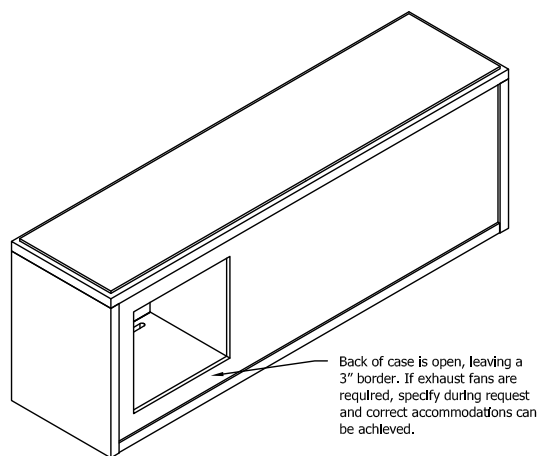
Buffet Height Credenza



Conference Height Credenza

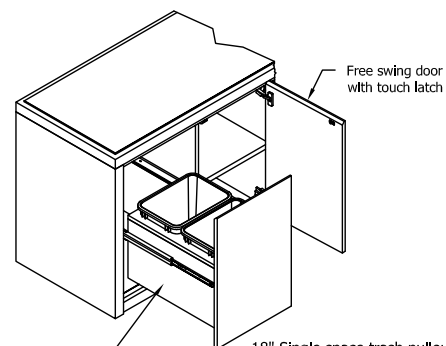
# Highline Fifty Collection

## Credenzas Case Details



Back of case is open, leaving a 3" border. If exhaust fans are required, specify during request and correct accommodations can be achieved.

Back of Credenza

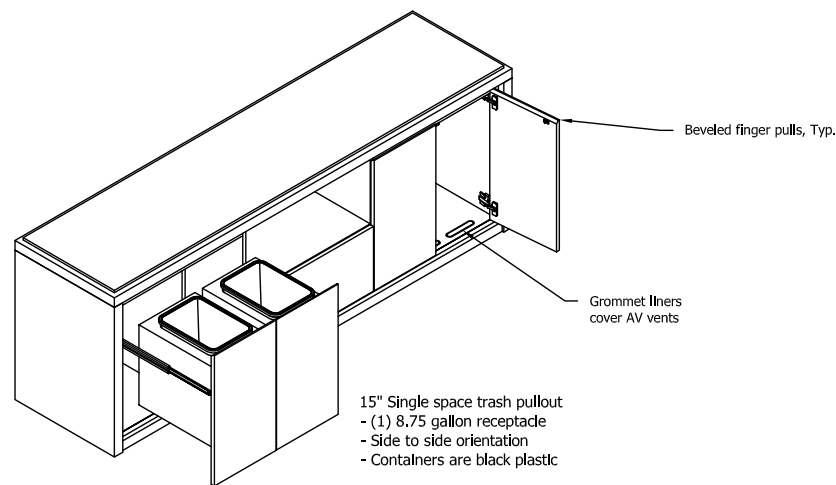


Free swing door with touch latch

Unit finished black

18" Single space trash pullout  
- (2) 8.75 gallon receptacles  
- Front to back orientation  
- Containers are black plastic

36" Double space trash pullout  
- (4) 8.75 gallon receptacles  
- Front to back orientation  
- Containers are black plastic



Beveled finger pulls, Typ.

Grommet liners cover AV vents

15" Single space trash pullout  
- (1) 8.75 gallon receptacle  
- Side to side orientation  
- Containers are black plastic

30" Double space trash pullout  
- (2) 8.75 gallon receptacles  
- Side to side orientation  
- Containers are black plastic

Front of Credenza

### Credenza Notes

- Pulls are 45 degrees inside bevel
- All drawers have a beveled pull on back edge of each front
- Top drawer has bevel on top edge, bottom drawer has bevel at bottom edge
- All drawers are equipped with full extension slides
- All doors are equipped with self-closing hinges
- All credenza top material options are secured to the case with silicone except full clear glass (FG GC00)
- Full clear glass (FG GC00) sets on top of 1/16" bumpers located on top of case
- Trash option is pull-out only

### Audio Visual Requirements:

- Coordinate AV requirements with the interior clearance dimensions provided below to ensure fit. All AV cases have air vent grommet at the bottom front and an open back w/3" border. Consult with your AV contractor for specific component requirements. Custom solutions are available on request

- Conference height 30" Bay:  
25.75" width x 19" depth x 21.5" height
- Buffet height 30" Bay:  
25.75" width x 19" depth x 26.5" height

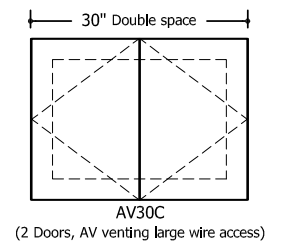
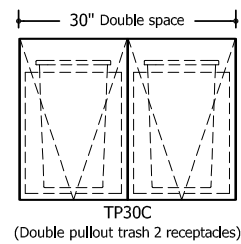
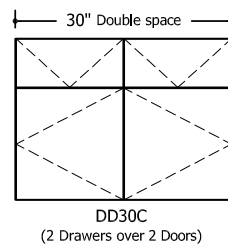
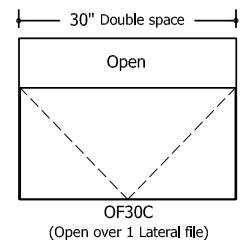
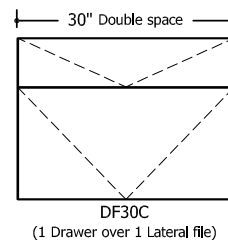
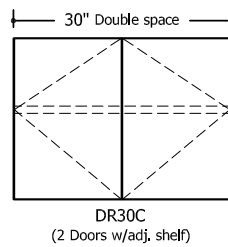
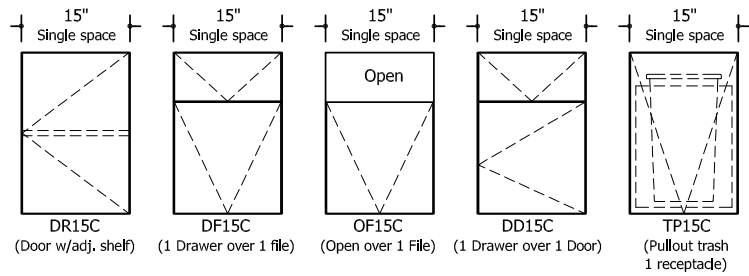
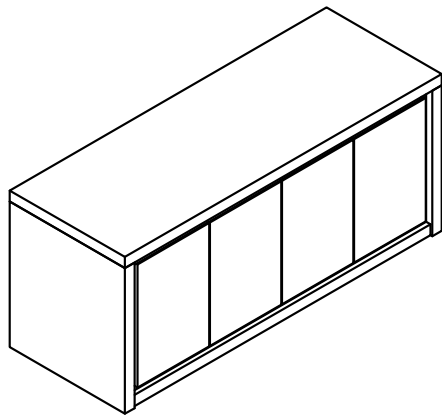
- Conference height 36" Bay:  
31.75" width x 19" depth x 21.5" height
- Buffet height 36" bay:  
31.75" width x 19" depth x 26.5" height

# Highline Fifty Collection

## Credenzas

Conference Height: 29"

Configurations: 15" and 30" modules

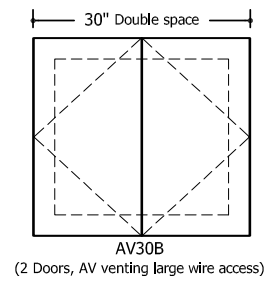
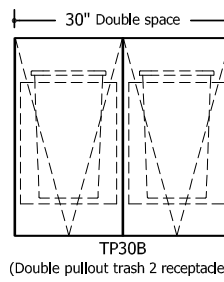
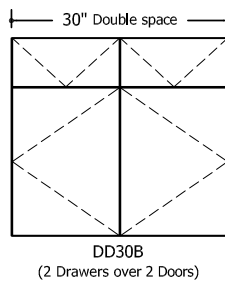
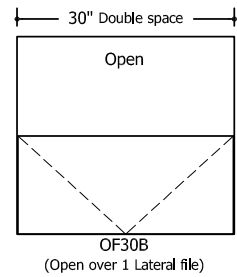
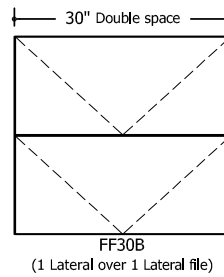
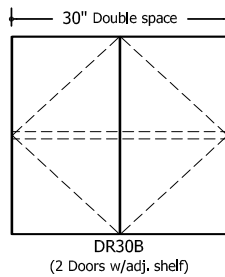
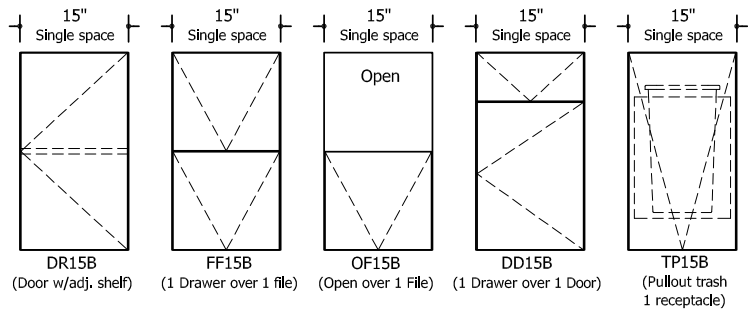
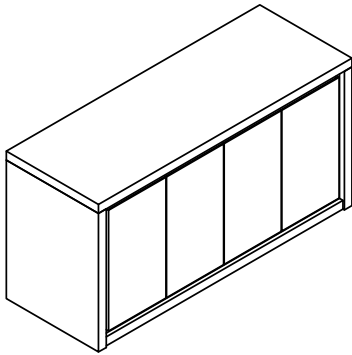


# Highline Fifty Collection

## Credenzas

Buffet Height: 34"

Configurations: 15" and 30" modules

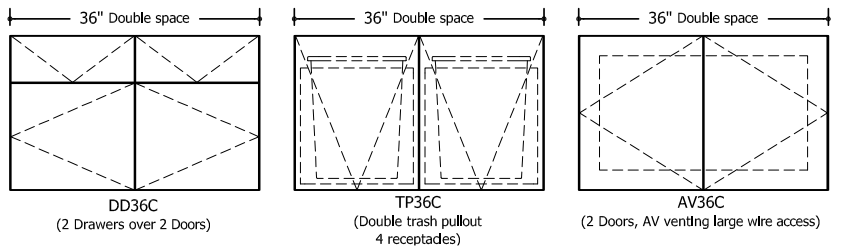
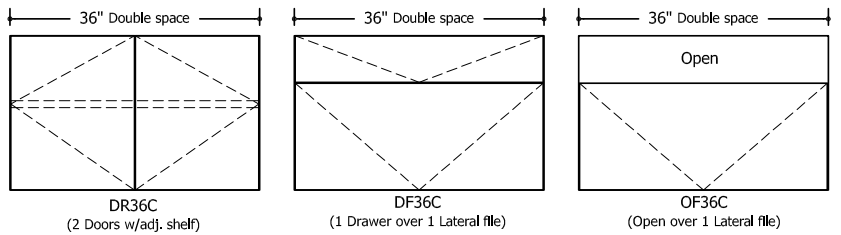
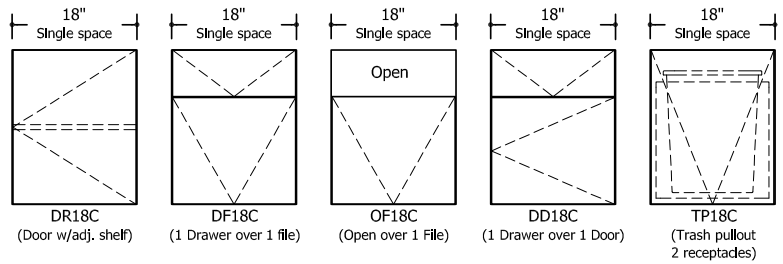
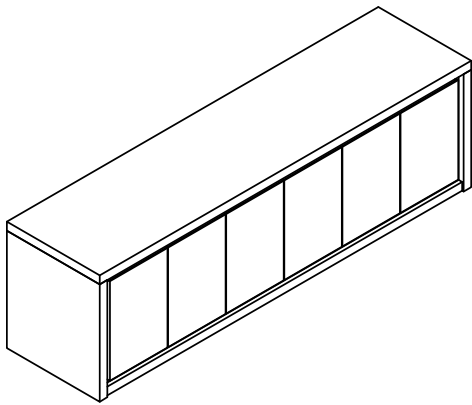


# Highline Fifty Collection

## Credenzas

Conference Height: 29"

Configurations: 18" and 36" modules



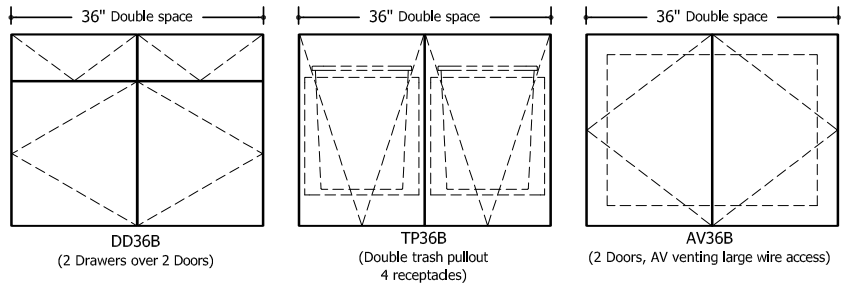
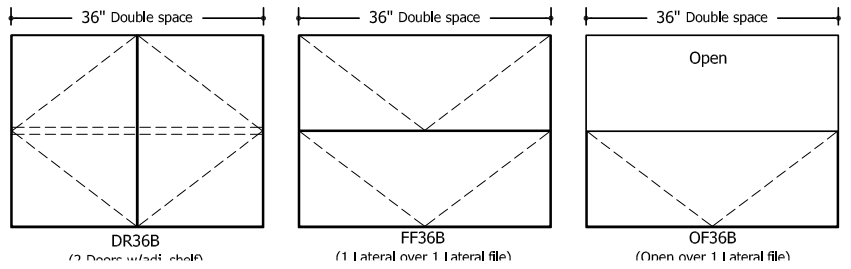
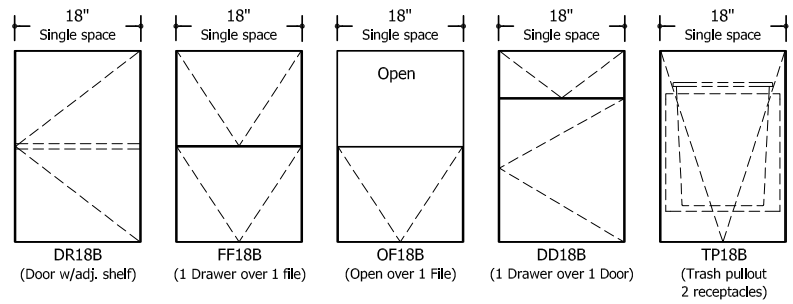
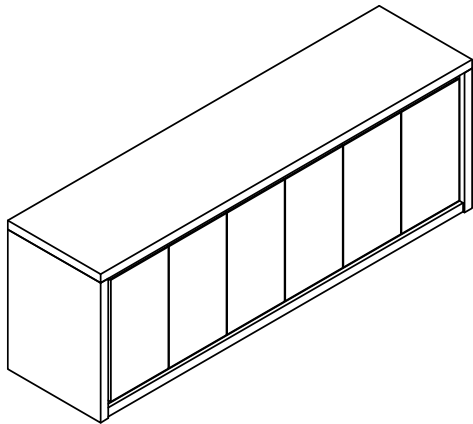


# Highline Fifty Collection

## Credenzas

Buffet Height: 34"

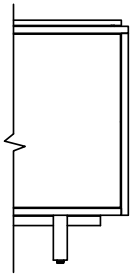
Configurations: 18" and 36" modules



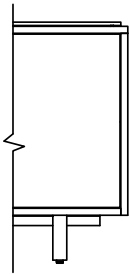
# Highline Twenty-Five Collection

## Credenzas

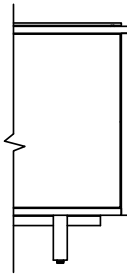
### Elevations and Optional Tops



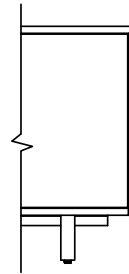
Optional Top  
3/4" Caesarstone



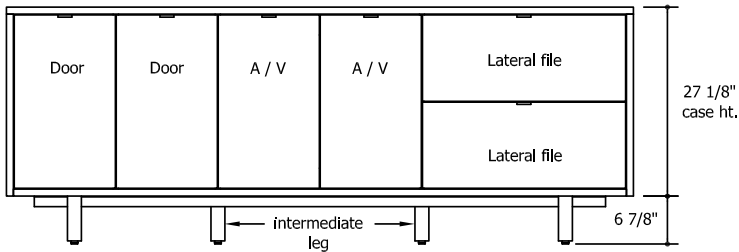
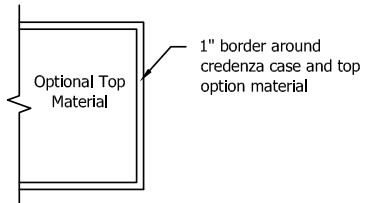
Optional Top  
1/2" Corian



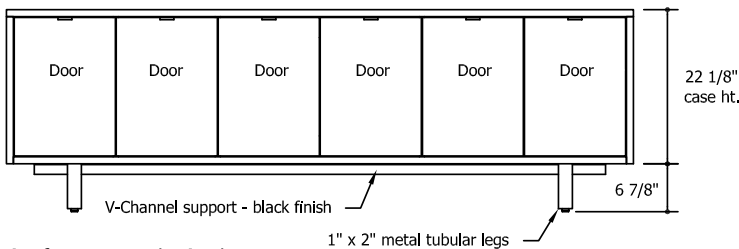
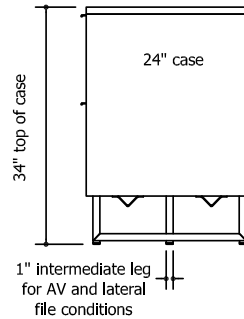
Optional Top  
3/8" Glass



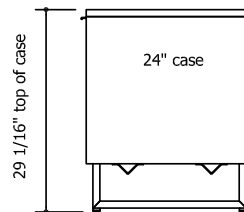
Optional Top  
None



Buffet Height Credenza

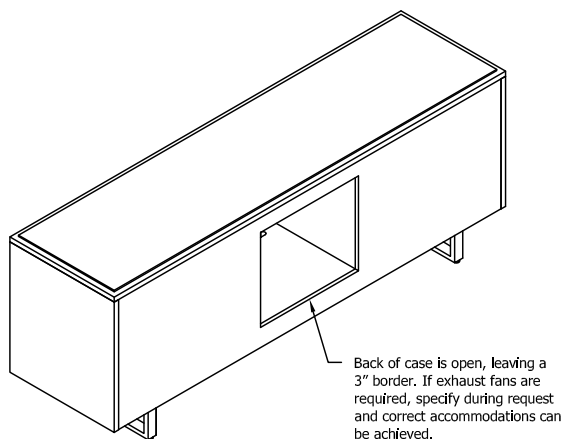


Conference Height Credenza

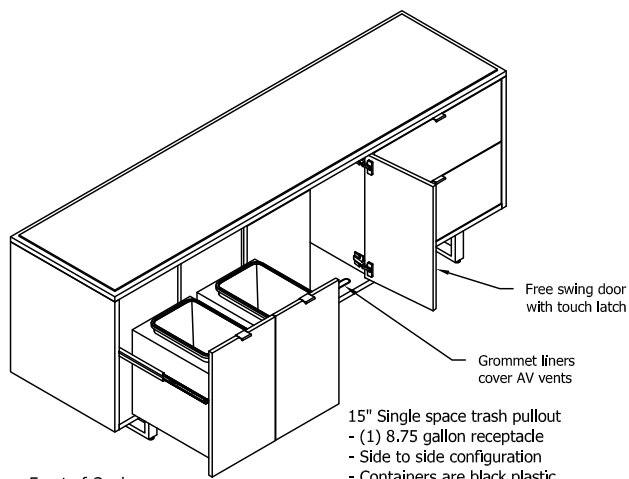


# Highline Twenty-Five Collection

## Credenza Case Details

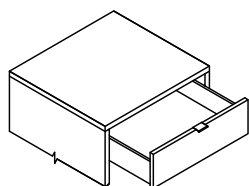


Back of Credenza



Front of Credenza

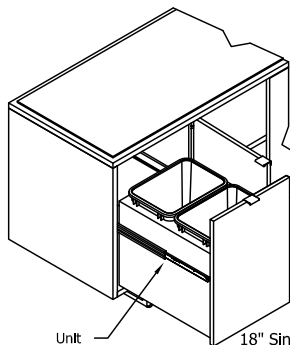
- 30" Double space trash pullout  
- (2) 8.75 gallon receptacles  
- Side to side configuration  
- Containers are black plastic



Drawer with 2" tab pull



2" tab pull



- 18" Single space trash pullout  
- (2) 8.75 gallon receptacles  
- Front to back orientation  
- Containers are black plastic

- 36" Double space trash pullout  
- (4) 8.75 gallon receptacles  
- Front to back orientation  
- Containers are black plastic

### Credenza Notes:

- 2" metal pulls to compliment metal legs
- All drawers have a 2" tab pull that is located in the center of the top edge of each front
- All drawers use full extension slides
- All doors use free swing hinges and touch latches.
- All credenza top material options are secured to the case with silicone except full clear glass (FG GC00)
- Full clear glass (FG CG00) sets on top of 1/16" bumpers located on top of case
- Trash option is pull-out only

### Audio Visual Requirements:

- Coordinate AV requirements with the interior clearance dimensions provided below to ensure fit. All AV cases have air vent grommet at the bottom front and an open back width 3" border. Consult with your AV contractor for specific component requirements. Custom solutions are available on request

- Conference height 30" Bay:  
25.15" width x 21.25" depth x 19.18" height

- Buffet height 30" Bay:  
25.15" width x 21.25" depth x 24.18" height

- Conference height 36" Bay:  
31.13" width x 21.25" depth x 19.18" height

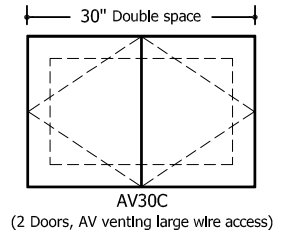
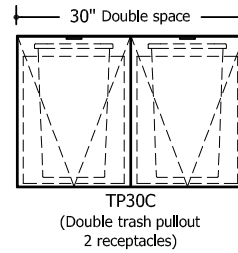
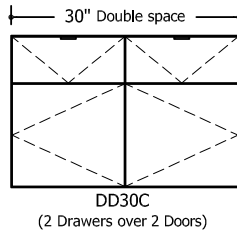
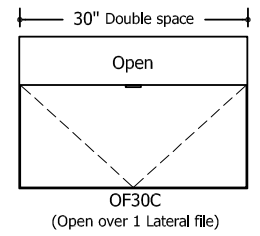
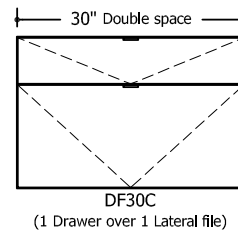
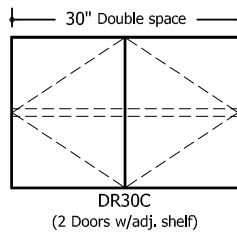
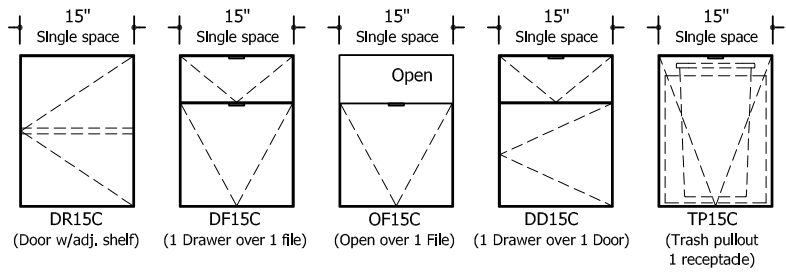
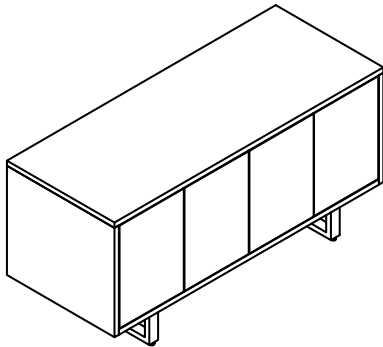
- Buffet height 36" Bay:  
31.13" width x 21.25" depth x 24.18" height

# Highline Twenty-Five Collection

## Credenzas

Conference Height: 29"

Configurations: 15" and 30" modules

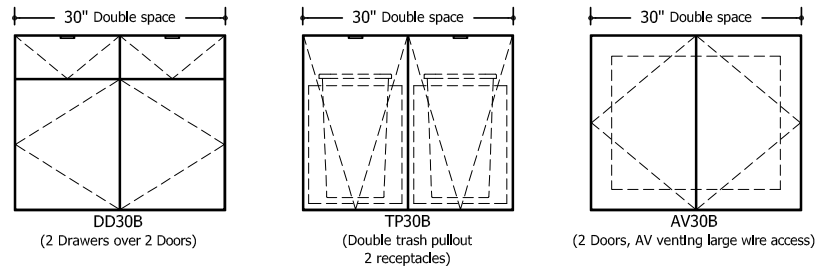
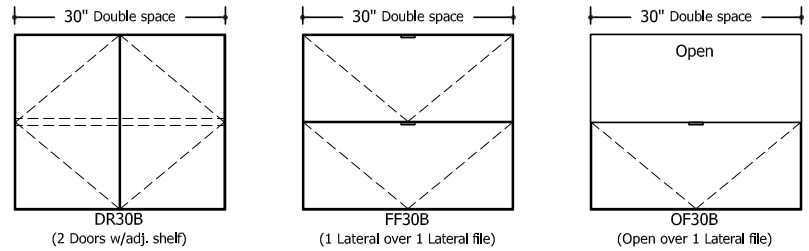
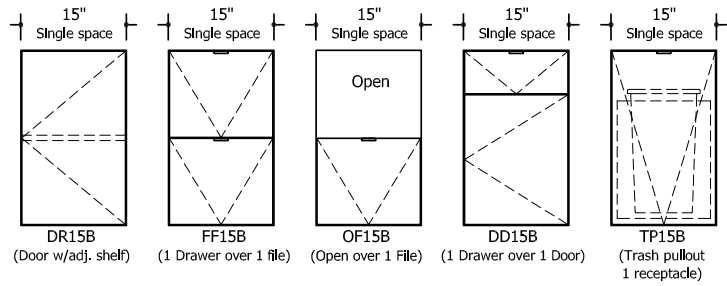
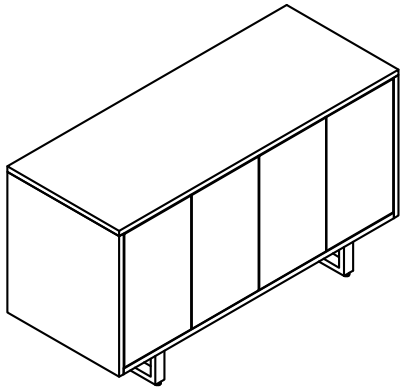


# Highline Twenty-Five Collection

## Credenzas

Buffet Height: 15"

Configurations: 15" + 30" models

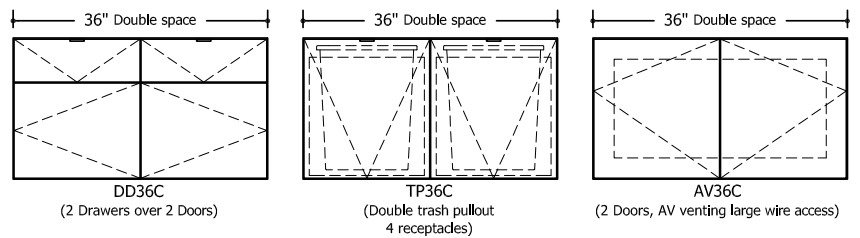
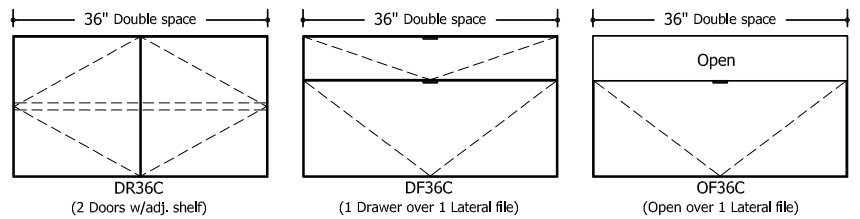
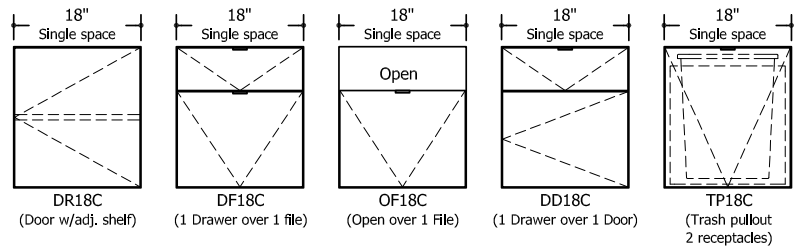
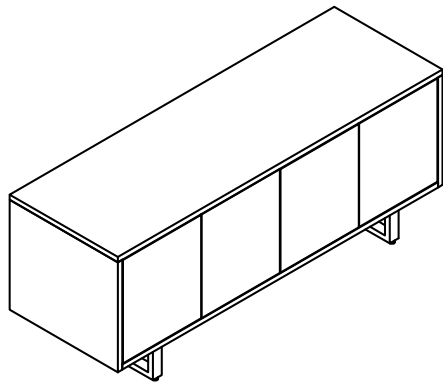


# Highline Twenty-Five Collection

## Credenzas

Conference Height: 29"

Configurations: 18" and 36" modules

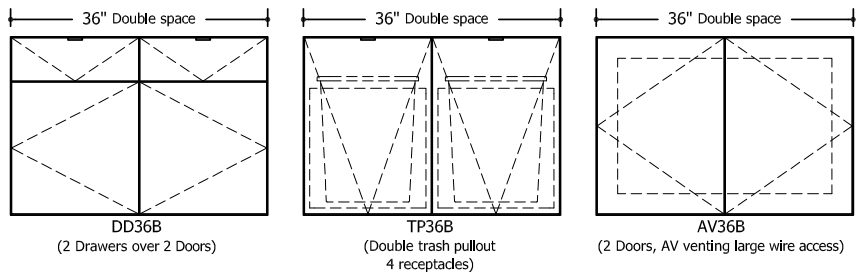
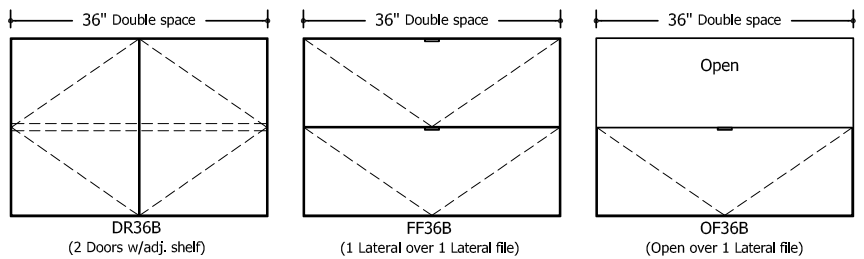
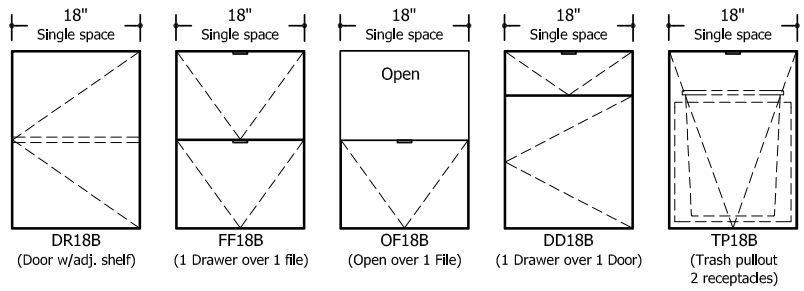
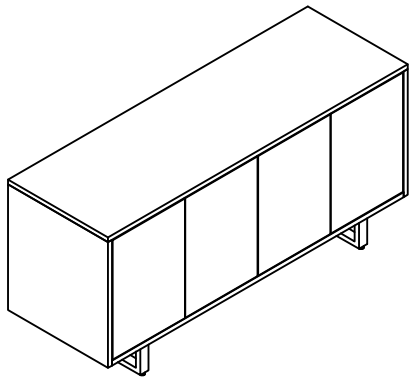


# Highline Twenty-Five Collection

## Credenzas

Buffet Height: 34"

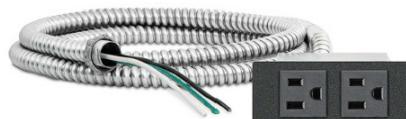
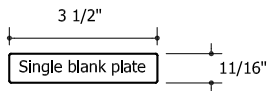
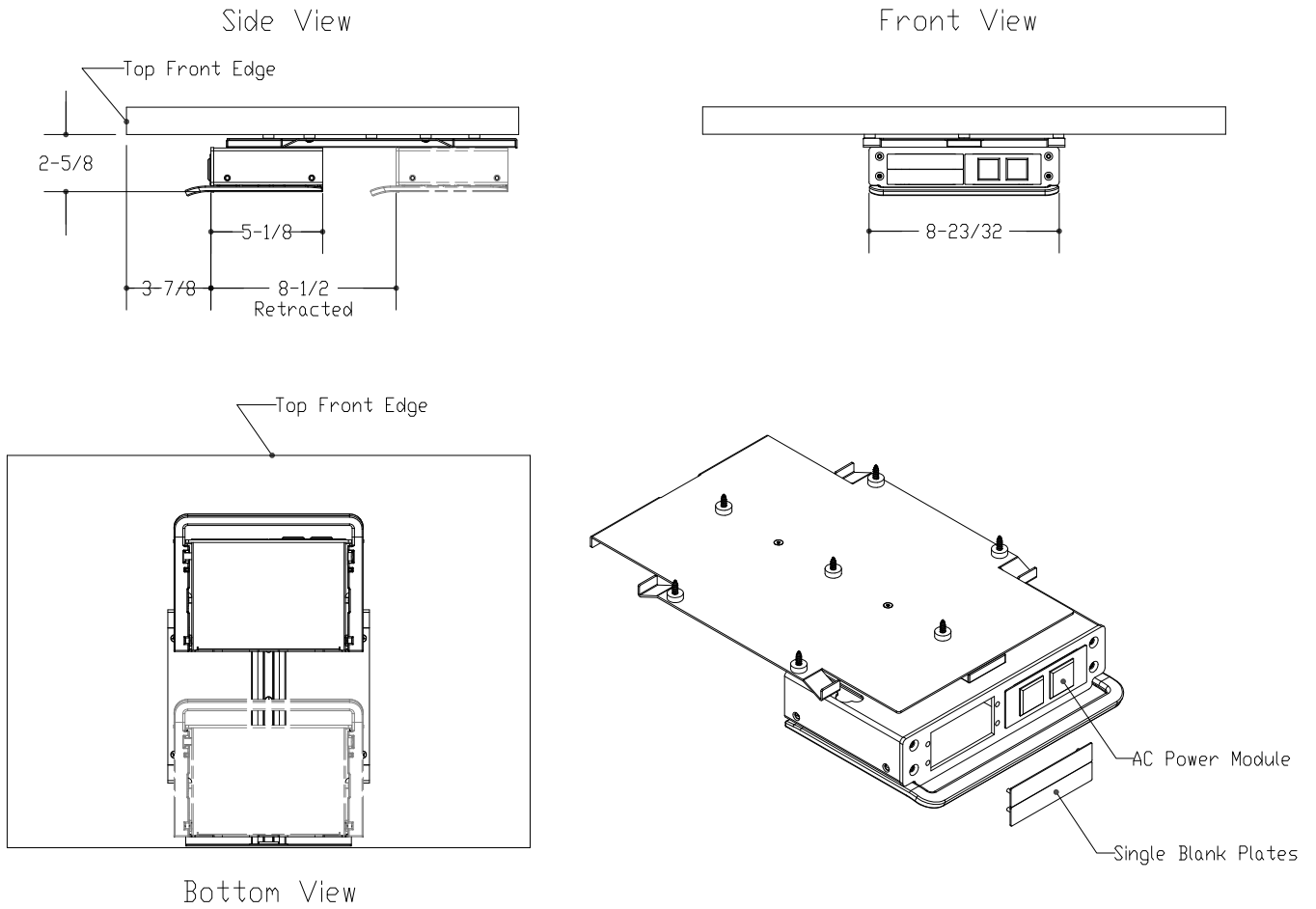
Configurations: 18" and 36" modules



# Accessories

## Power & Connectivity

### Slide Out Power Box



- AC Module Hardwired (HW)
- 3/8" diameter x 6' long metal-clad cable with 6" pigtail
  - Additional knockouts for series wiring
  - 12A max per module



- AC Module Plug in (PI)
- 7.5' detachable soft cord
  - 6A max per module



# Accessories

## Power & Connectivity

### Linkable USB Kits for Power Boxes

Linkable USB kits come in configurations of 4, 6, 8 or 10 module kits accommodating tables ranging up to 240" in length and 72" in depth.

Fits Double AAP Opening (Same as Extron Dual-AC Module 70-584-02) provided in all Tabletop, Undermount, Slide-Out Box and Power Drawer applications.

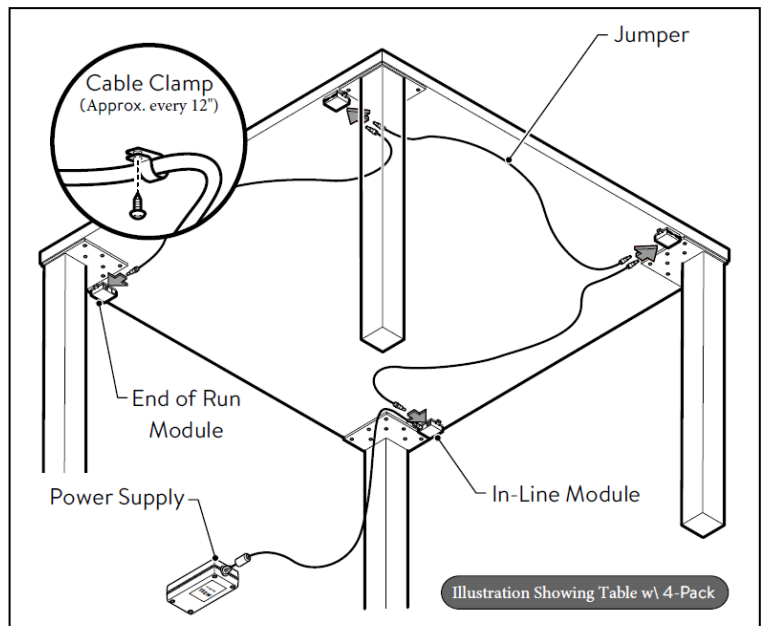
One power infeed required for every 8 modules.

All components finished black.

Each kit contains everything needed for installation. Including P-Clips for wire management. (Note: Power Boxes and Drawers are specified and ordered separately with table.)

#### Technical Specifications:

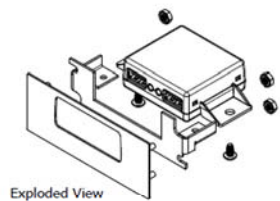
- 2- 1.2A/5VDC USB Charging Ports per Module
- 150W/5VDC or 250W/5VDC Power Supply
- 16 Gauge Direct Current Jumper Cables
- USA NEMA 5-15 and 15 Amp with 90° Plug
- UL 1310 Class 2 Listed
- Meets USB.org Battery Charging 1.2 Specifications



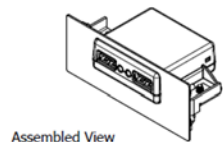
Power Supply, 42"L \*\*

AC Power Cord, 72"L

USB Module Assembly \*  
In-Line & End-Of-Line Configurations



Exploded View

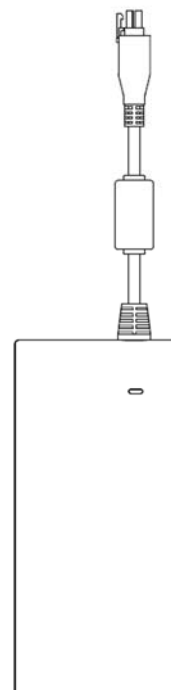
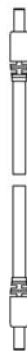


Assembled View

Power Splitter \*



Jumper Cable, 72"L



\* ONLY INCLUDED ON CERTAIN SIZES  
\*\* MAY NOT LOOK EXACTLY AS SHOWN

# Terms and Conditions of Sale

Sales by DatesWeiser (hereinafter called the Seller) are made only on the terms and conditions set forth below. These terms and conditions may be modified or supplemented only by a written document signed by an authorized representative of the Seller. These terms and conditions supersede any prior and/or contemporaneous agreements or correspondence between Purchaser and Seller.

## Ordering Information

All orders must be in writing. Product information required for a Purchase Order is described on [page 5](#).

A Purchase Order is not binding on the Seller until Purchaser has received Seller's Order Confirmation.

## Pricing Policies

All written quotations expire thirty (30) days from the date of issuance and can be withdrawn by written notice anytime during that period.

Prices are List, F.O.B. from the DatesWeiser factory in Buffalo, New York. Shipping, packaging, inside delivery, uncrating, installation, storage, and sales tax (if applicable) shall be in addition to the list price and shall be itemized and charged separately.

List prices are subject to change without notice.

List prices shall be those prices in effect on the date the Seller receives a completed Purchase Order unless shipment is requested more than 120 days after the order entry, in which case prices in effect on the date of shipment apply.

## Taxes

All sales, use, excise, and other taxes applicable to the sale of DatesWeiser Products shall be paid by the Purchaser. To claim an exemption from any tax, Purchaser must submit to Seller the appropriate exemption certificates.

## Terms of Payment

A fifty percent (50%) deposit is due at the time of order placement and the remainder due within thirty (30) days of the date of invoice.

If, in the judgment of Seller, Purchaser's financial condition does not justify the terms of the payment, Seller may require full or partial payment in advance.

The ship date the Seller specifies is considered the invoice date for billing. The ship date will be confirmed by the Seller via a separate Acknowledgement issued upon receipt of a signed Purchase Order.

Past due accounts shall be charged one and one-half percent (1.5%) per month, or the highest rate permitted by law, whichever is less, and will be added to the outstanding balance. In the event Purchaser defaults on payment, Purchaser shall be liable for all collection costs, including reasonable attorney's fees and costs.

## Changes and Cancellations

A confirmed order may not be changed or cancelled, in whole or in part, without prior written consent of Seller. Changes may effect delivery dates. Expenses incurred because of changes shall be charged to Purchaser. In event of cancellations, Purchaser will be liable for reasonable cancellation charges, including a \$500 administrative fee.

Seller is not required to comply with Purchaser's request to change a confirmed order, but all reasonable requests to change confirmed orders will be honored. Orders for special or custom Product may not be cancelled.

To be effective, a Change Order must be in writing, signed by the Purchaser or Purchaser's agent, and confirmed in writing by the Seller. Change Orders are subject to a charge for materials, labor, and other costs as determined by Seller.

## Security Interest

Until Seller receives the full payment for the Product, Seller shall have a security interest in the Product. Purchaser agrees to perform all acts, including but not limited to the execution and filing of documentation, which may be necessary to perfect and assure the security interest of Seller.

## Customer's Own Material (COM)

A Purchaser who requests a material not standard to Seller's line of Products (described on [page 6](#)) must submit a sample of the requested material to Seller prior to entry of a purchase order. Seller shall determine if the material is suitable to its manufacturing processes and meets any requirements of Underwriter Laboratories. If the COM is acceptable, Seller will then establish a price for using the COM on the Product in question.

#### Customer's Specified Laminates (CSL)

For custom wood or paint finishes add \$725 net per finish. This is a one-time matching charge. Custom finishes may extend delivery time up to four (4) weeks. Control samples of custom finishes will be provided.

#### Hardware

Final adjustment of furniture hardware such as hinges, drawer slides, drawer pulls, etc., at the installation and as a punch-list item, if required, is the Purchaser's responsibility.

#### Design

All Products shown in the Seller's Price List and Specifications Guide are, and remain, the property of the Seller, who reserves the exclusive right to manufacture them. All dimensions shown are to be considered approximate. Seller reserves the right to make changes in price, dimensions, design and/or construction without prior notice.

#### Shop Drawings

Seller allows for one (1) set of full shop drawings and one (1) round of minor drawing revisions in its pricing and scheduling. Thereafter, any significant changes in design, including dimensions, engineering details, and materials, or delays in reviewing and approving shop drawings, may necessitate additional charges and cause schedule delays. Seller reserves the right to determine the impact of any design changes and/or delays and will promptly notify those involved of any adjustments to cost and schedule.

#### Field and Hold Dimensions

If a dealer or third party is responsible for providing installation, the following is required: Full responsibility for providing accurate and timely field dimensions or hold to dimensions (in cases where walls are not erected) as it effects the ultimate fit of the installation. As an alternative, upon request, Seller can provide a cost for sending a field technician to the project site to assume responsibility for field dimensions and site evaluation.

### FREIGHT AND DELIVERY

Products are carefully inspected and packaged before leaving the factory to ensure they reach their destination in excellent condition. Whenever possible, the Seller will ship in accordance with the Purchaser's instructions. If Purchaser does not specify shipping instructions, Seller will use its best judgment to determine the most suitable shipping method, route, and carrier.

Conditions beyond the control of Seller, including weather, available facilities and traffic conditions, may affect time of delivery.

#### Storage

If the Purchaser cannot accept delivery per the ship date specified in the Seller's Acknowledgement, the Seller may transfer the merchandise to storage, either at its facility or at another facility.

Purchaser will be charged a storage fee of two percent (2%) of the invoice for every thirty (30) days the products are stored at the Seller's facility.

For products stored in another facility, all out-of-pocket costs of storage, including transportation and warehousing fees, will be at the Purchaser's expense.

The Purchaser will be invoiced for all product charges on the date the Products are transferred to storage. Storage fees will accrue monthly in full month increments (they are not prorated for partial months) and will be added to the first invoice, which will also include non-product charges such as shipping, installation, etc.

#### Returns

Purchasers may not return Products without Seller's written approval and shipping instructions. Unauthorized returns, and returns shipped inconsistently with Seller's instructions, will be automatically refused by the Seller's receiving department.

Products not currently offered for sale by Seller, including special and custom Products, shall not be authorized for return. All returned Products must be unused, in original condition and in original Seller shipping cartons. No refund or credit shall be given for damaged Products.

### CLAIMS

All shipments for Sellers Product are F.O.B. Origin. All risk of loss passes to Purchaser at time of delivery to carrier. Purchaser shall inspect all Products upon receipt and note any damage on the Bill of Lading and make an immediate request for inspection of damage by carrier. Seller is not responsible for damage that occurs in transit or storage.

Damage that becomes apparent after the Product is unpacked should be reported to the carrier and the Seller within twenty-four (24) hours of receipt. Damage that is incurred at a furniture dealer's warehouse is the responsibility of the furniture dealer.

For claims relating to Product damaged in transit, or for any other claims relating to or arising out of the transportation of the Product, Purchaser must seek recovery from the carrier. Seller may, upon request, assist Purchaser with filing of such claims with the carrier.

Claims for defects, errors, or shortages must be made in writing by Purchaser against Seller within 72 hours after delivery. Failure to make such claim within 72 hours shall constitute unconditional acceptance of the Products and a waiver of any apparent defects, errors, or shortages.

## WARRANTY

Seller warrants its Products to the original Purchaser to be free of defects in workmanship and materials under normal use and under conditions for which the Product was designed for a period of five (5) years. This remedy is exclusive. Seller does not authorize any person to create for it any obligation or liability.

During this warranty period, Seller will repair, or at its option, replace, such Product proven to be defective. Seller shall not be liable for commercial loss or any consequential or incidental damages that may arise as a result of defective Product.

This limited warranty does not apply to:

- Damage caused by a carrier other than the Seller.
- Product not properly maintained per Seller instructions. Maintenance and proper environmental conditions are described in Seller's Published Price List. All furniture should be used in a stable, controlled atmosphere and positioned to avoid direct sunlight. Ideal climate is 65 to 75 degrees Fahrenheit with 30 to 55% relative humidity.
- Normal wear and tear or acts or omissions of parties other than Seller. This warranty does not cover any product repaired or altered by any person not so authorized by Seller, including user modification, improper use or installation of Products.
- Customer's Own Material and Customer's Specified Laminates.
- Durability or suitability of any exterior surface coatings or treatments.
- Matching of color, grains or texture except as specified in the Seller's Order Confirmation and the finish sample.
- Natural variations occurring in wood, stone, and glass shall not be considered defects, and the Seller does not guarantee the colorfastness or matching of colors, grains or textures, or surface hardness of such materials.
- Adequacy of any electronic components.
- Durability of glass used in Product.
- Live Edge natural slabs used for table tops.

Seller must be notified within 72 hours of receipt of shipment for any initial claims for defects, errors or shortages.

To obtain the benefit of this warranty, contact Seller in writing. It is the responsibility of the Purchaser to arrange the return of Product to Seller and to assume all costs relating to any incidental or consequential damages.

### Disclaimers

THE EXPRESS WARRANTIES CONTAINED IN THIS SELLING POLICY ARE THE ONLY WARRANTIES THAT DATESWEISER MAKES AND TAKE THE PLACE OF ALL OTHER WARRANTIES, EXPRESS OR IMPLIED, INCLUDING ANY WARRANTIES OF MERCHANTABILITY OR FITNESS FOR PARTICULAR PURPOSE AND ALL OTHER WARRANTIES ARISING FROM COURSE OF DEALING OR USAGE OF TRADE.

Corporate Office / Factory  
1700 Broadway Street  
Buffalo, NY 14212  
p 716.891.1700

